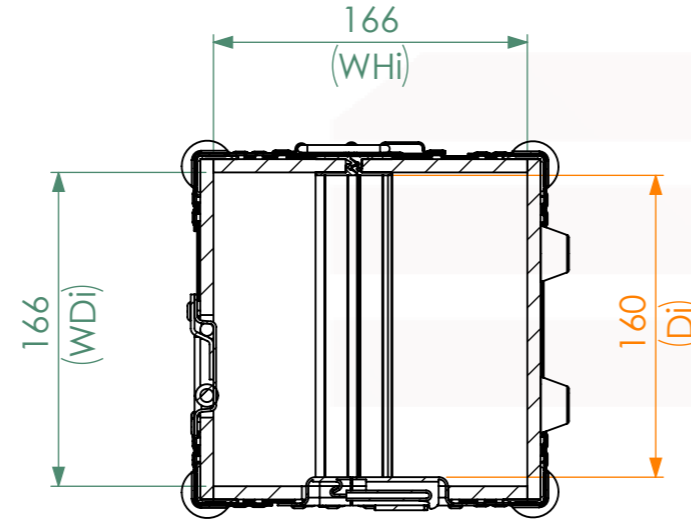
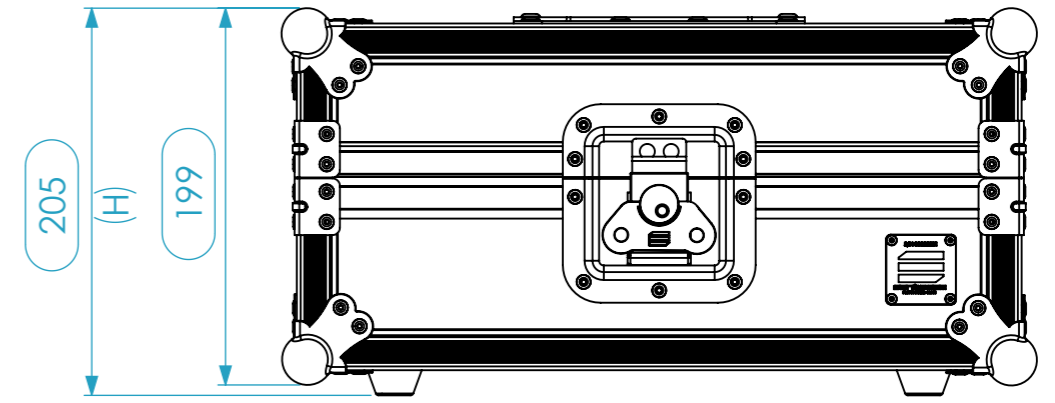
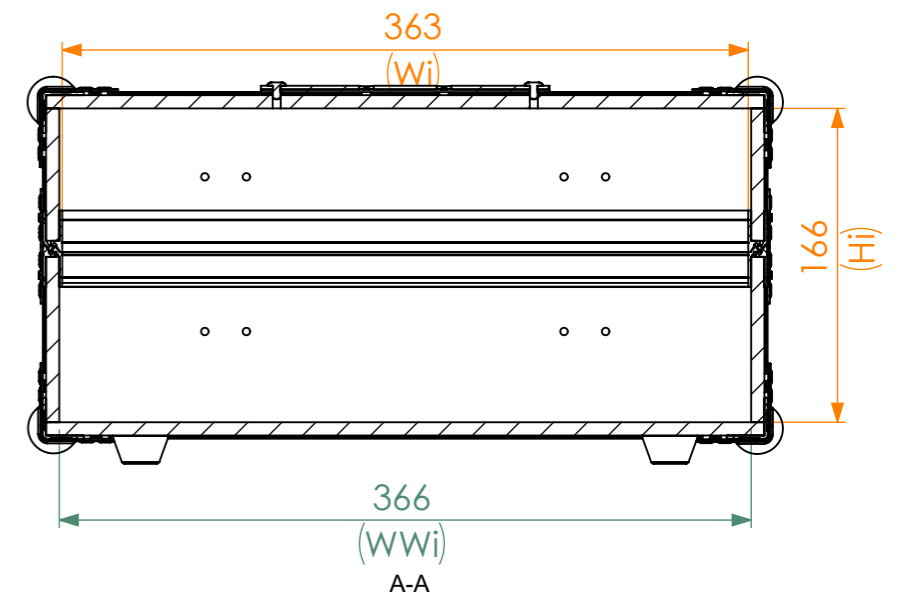
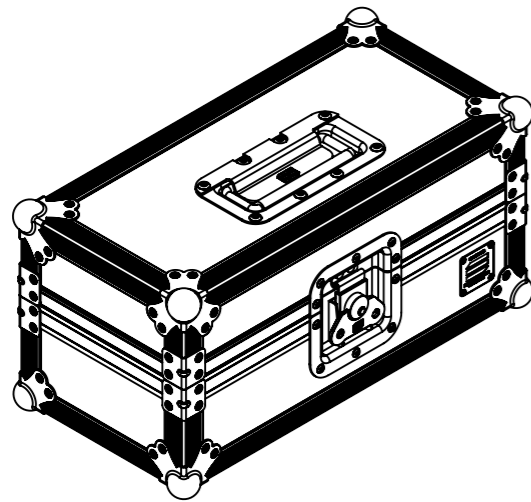
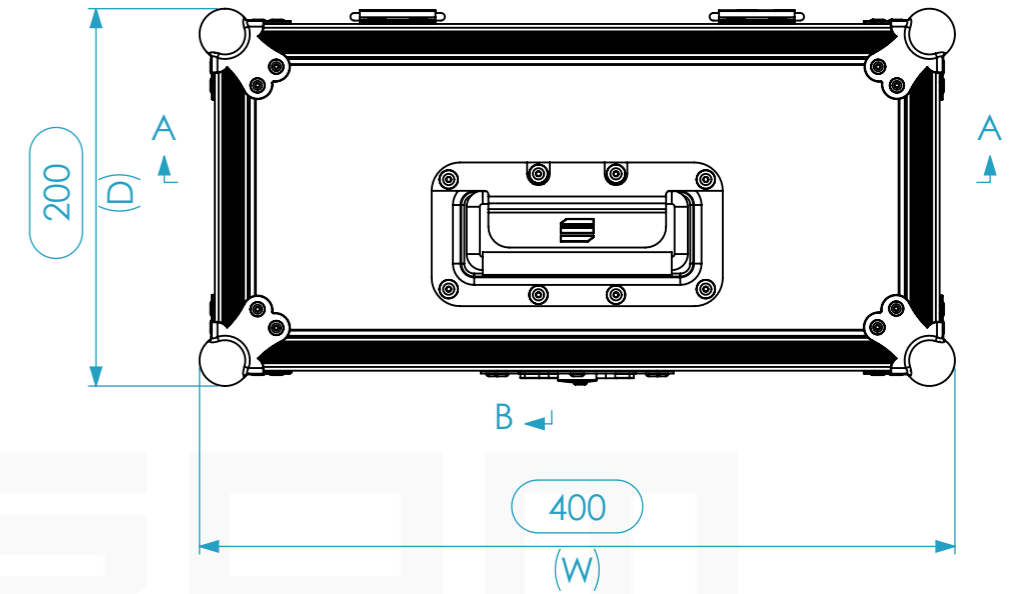


Internal Dimensions		
Width	Depth	Height
363	163	166
Weight	Approx. 3 Kg	
Wall Thickness		7mm



B-B



A-A

General External Dimensions		Usable Inner Dimensions (UID)		Wood Inner Dimensions (WID)	
W	Width	Wi	Inside Width	WWi	Wood Inside Width
D	Depth	Di	Inside Depth	WDi	Wood Inside Depth
H	Height	Hi	Inside Height	WHi	Wood Inside Height

This drawing must not be copied or disclosed without consent of the owner



Scale 1:4

units in mm
DO NOT SCALE
general tolerance 0.8mm

FC S2, 363X163X163MM



A3