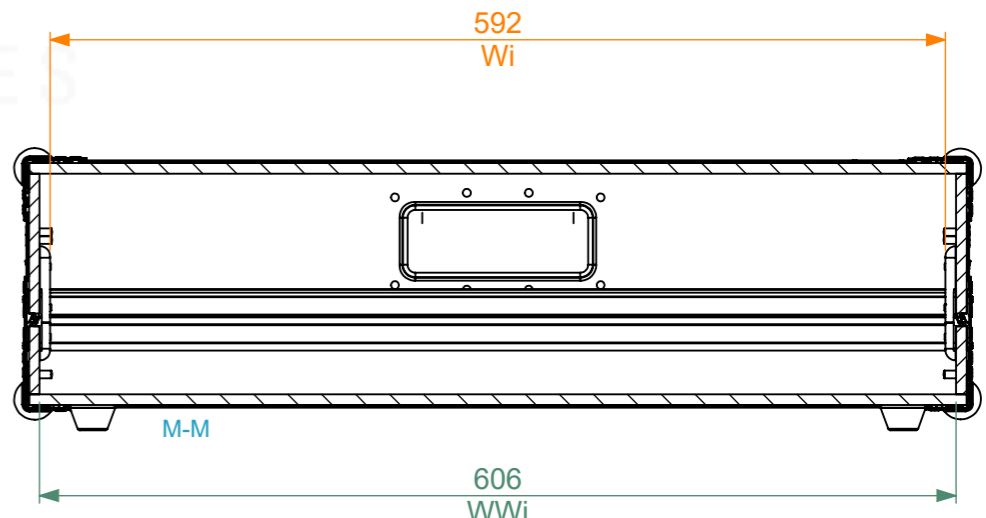
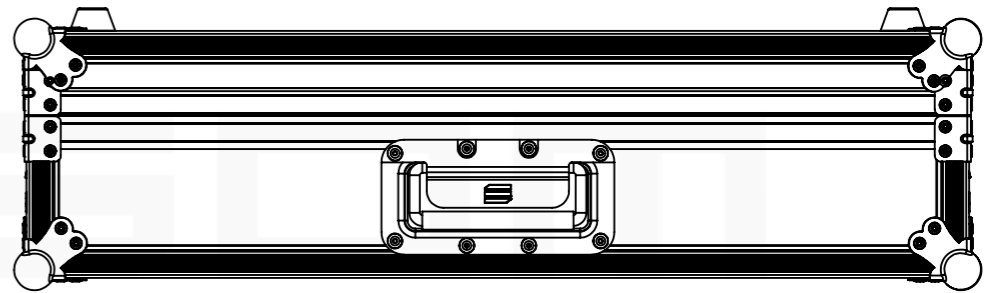
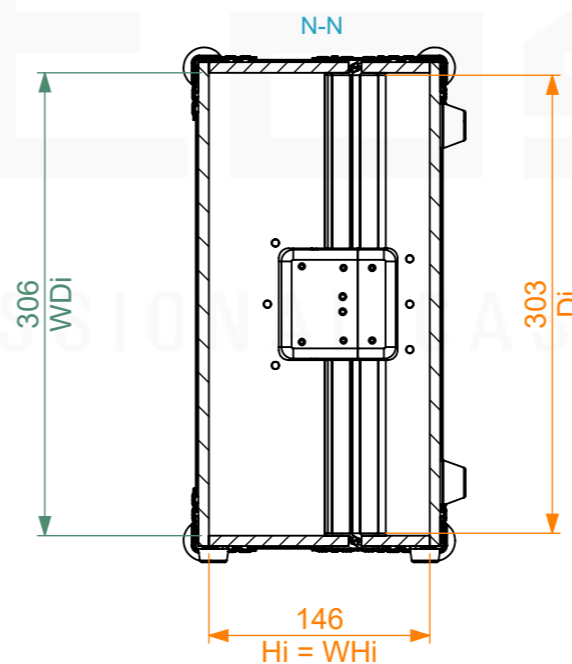
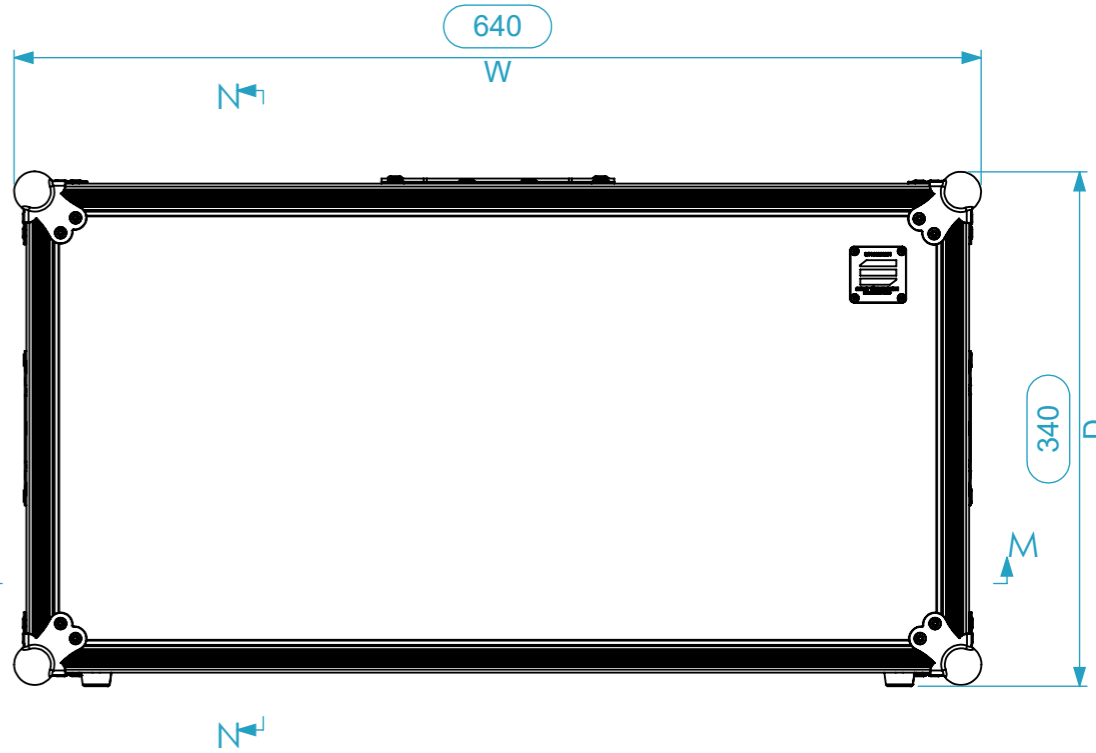
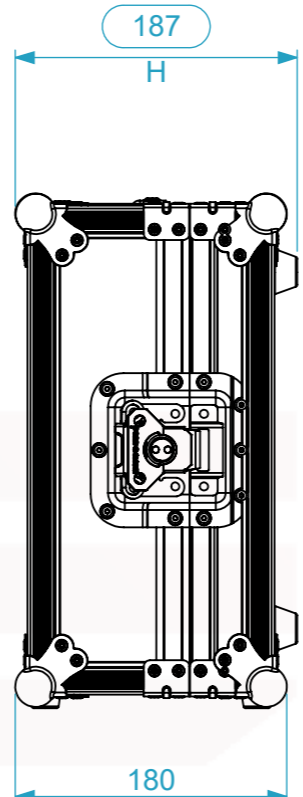
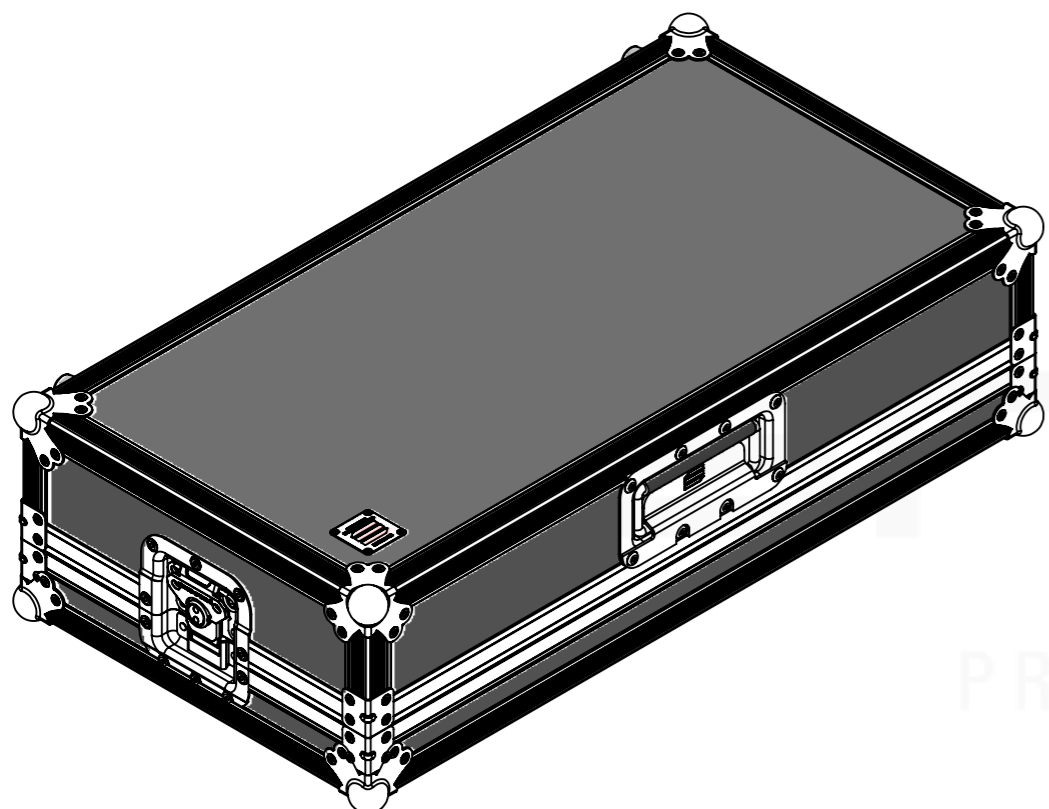


| Internal Dimensions |              |        |
|---------------------|--------------|--------|
| Width               | Depth        | Height |
| 603                 | 303          | 146    |
| Weight              | Approx. 5 Kg |        |
| Wall Thickness      | 7mm          |        |



| General External Dimensions |                    |
|-----------------------------|--------------------|
| W                           | Width              |
| D                           | Depth              |
| H                           | Height             |
| Usable Inner Dimensions     |                    |
| Wi                          | Inside Width       |
| Di                          | Inside Depth       |
| Hi                          | Inside Height      |
| Wood Inner Dimensions       |                    |
| WWi                         | Wood Inside Width  |
| WDi                         | Wood Inside Depth  |
| WHi                         | Wood Inside Height |

This drawing must not be copied or disclosed without consent of the owner

|  |              |                   |
|--|--------------|-------------------|
| Drawn by                                 | Name         | Date              |
| CarlaSilva                               | CarlaSilva   | 17/04/2025        |
| Reference                                | S22B.0643418 |                   |
| Scale                                    | units in mm  | general tolerance |
| 1:5                                      | DO NOT SCALE | 0.8mm             |
| Flight case S22B, 603x303x146 Inner dim. |              |                   |

