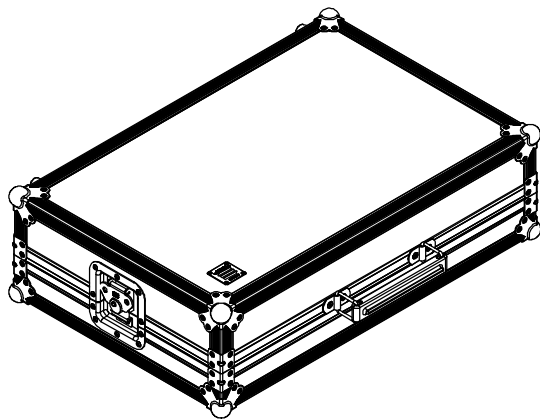
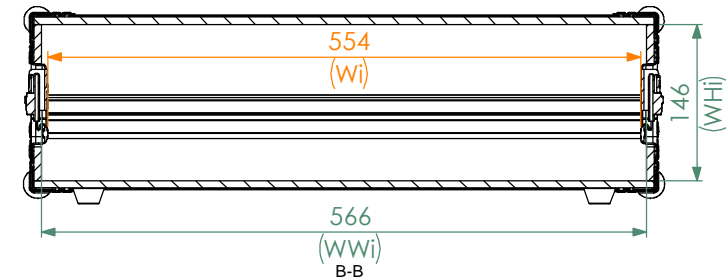
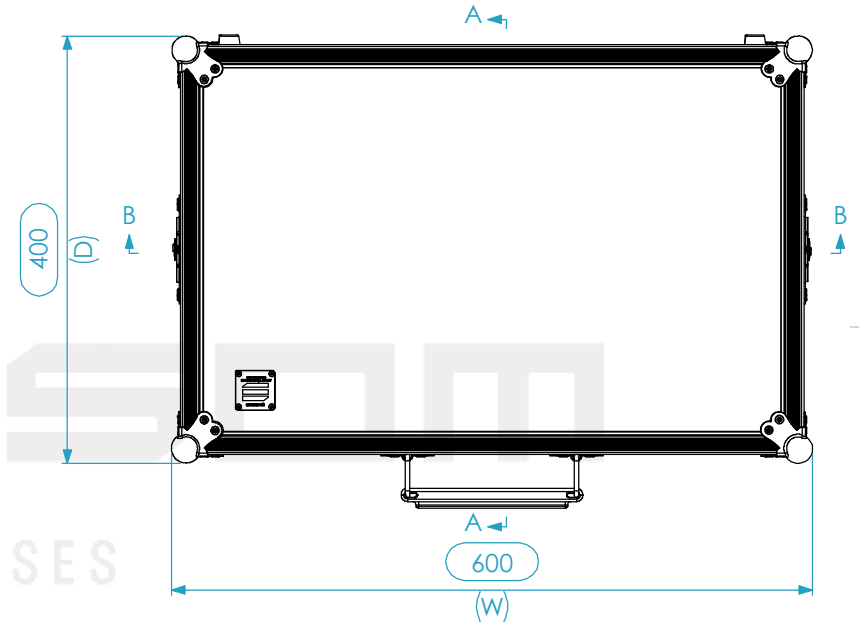
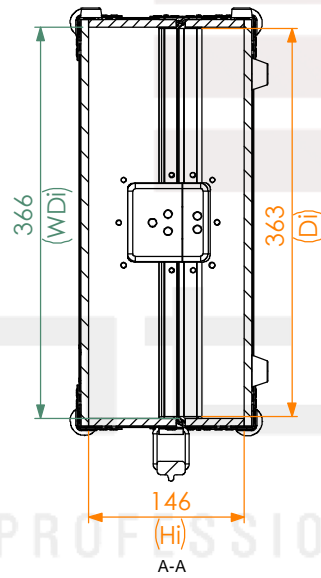
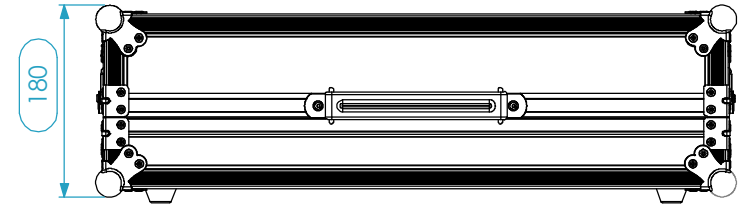
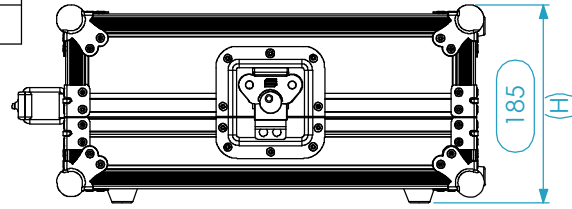


Internal Dimensions		
Width	Depth	Height
554	363	146
Weight	Approx. 6 Kg	
Wall Thickness	7mm	

General External Dimensions  
 Usable Inner Dimensions (UID)  
 Wood Inner Dimensions (WID)



This drawing must not be copied or disclosed without consent of the owner



Scale 1:5  
 units in mm  
 DO NOT SCALE  
 general tolerance 0.8mm

Drawn by Catarina Henriques 14/05/2018  
 Reference S22B.0604018  
 FC S22B. 563x363x146

