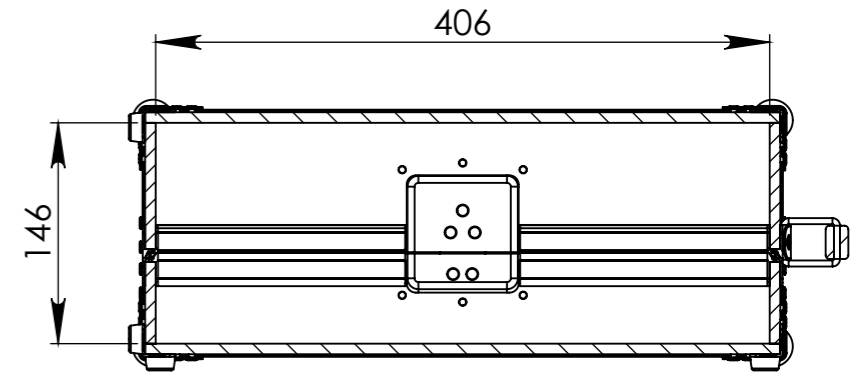
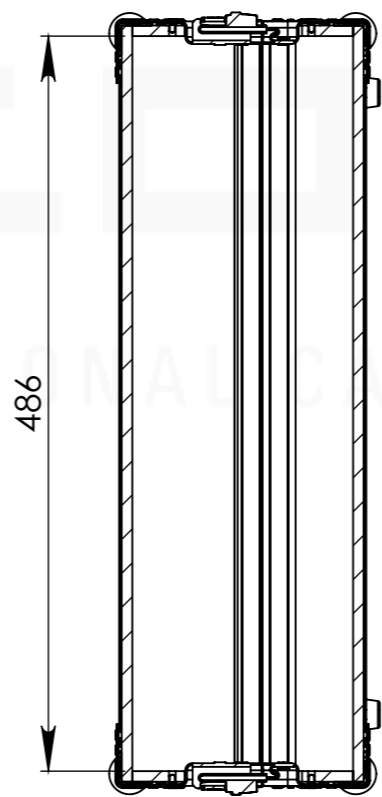
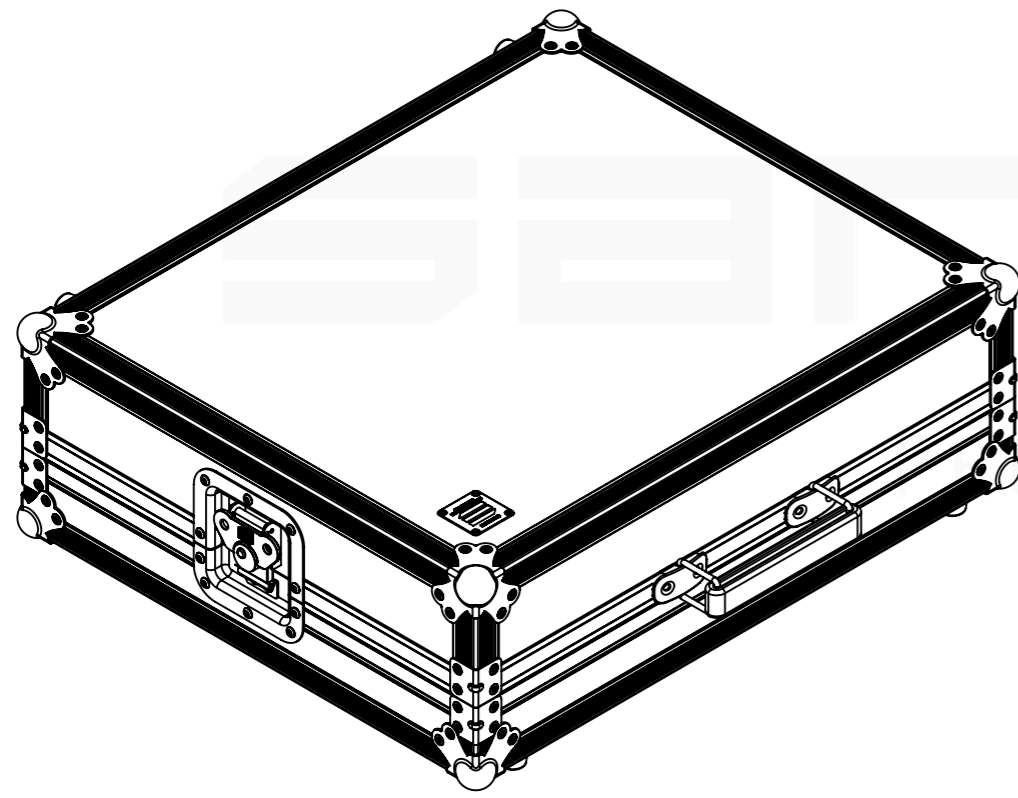
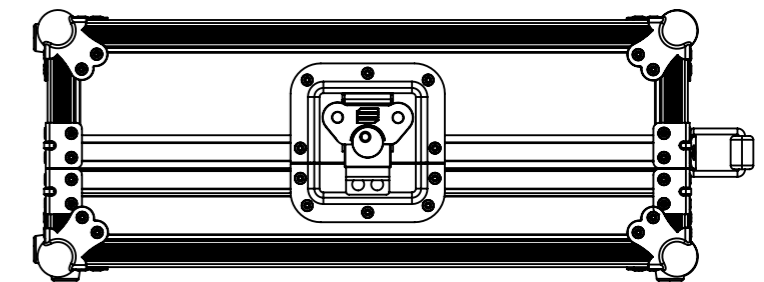
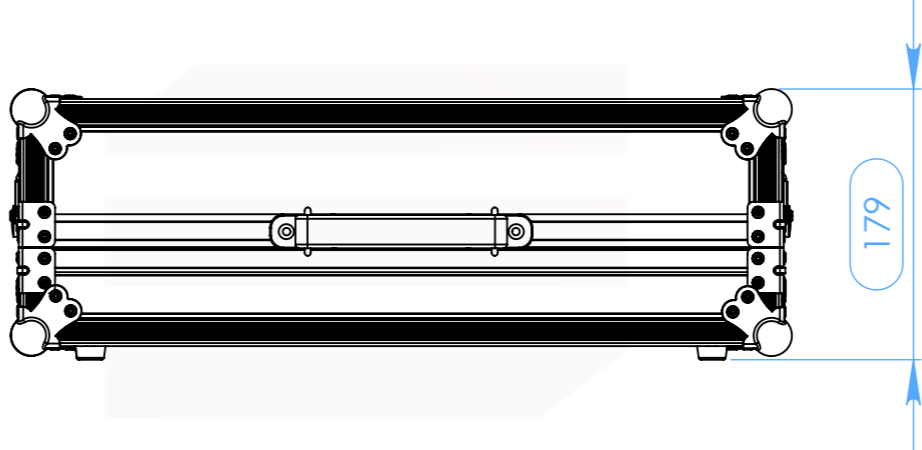
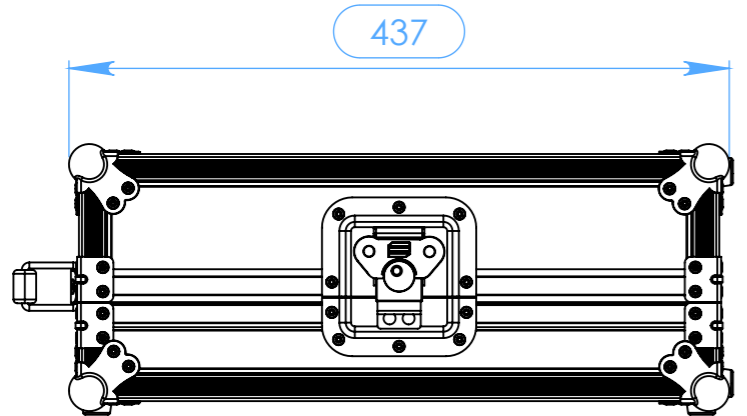


Interior dimensions

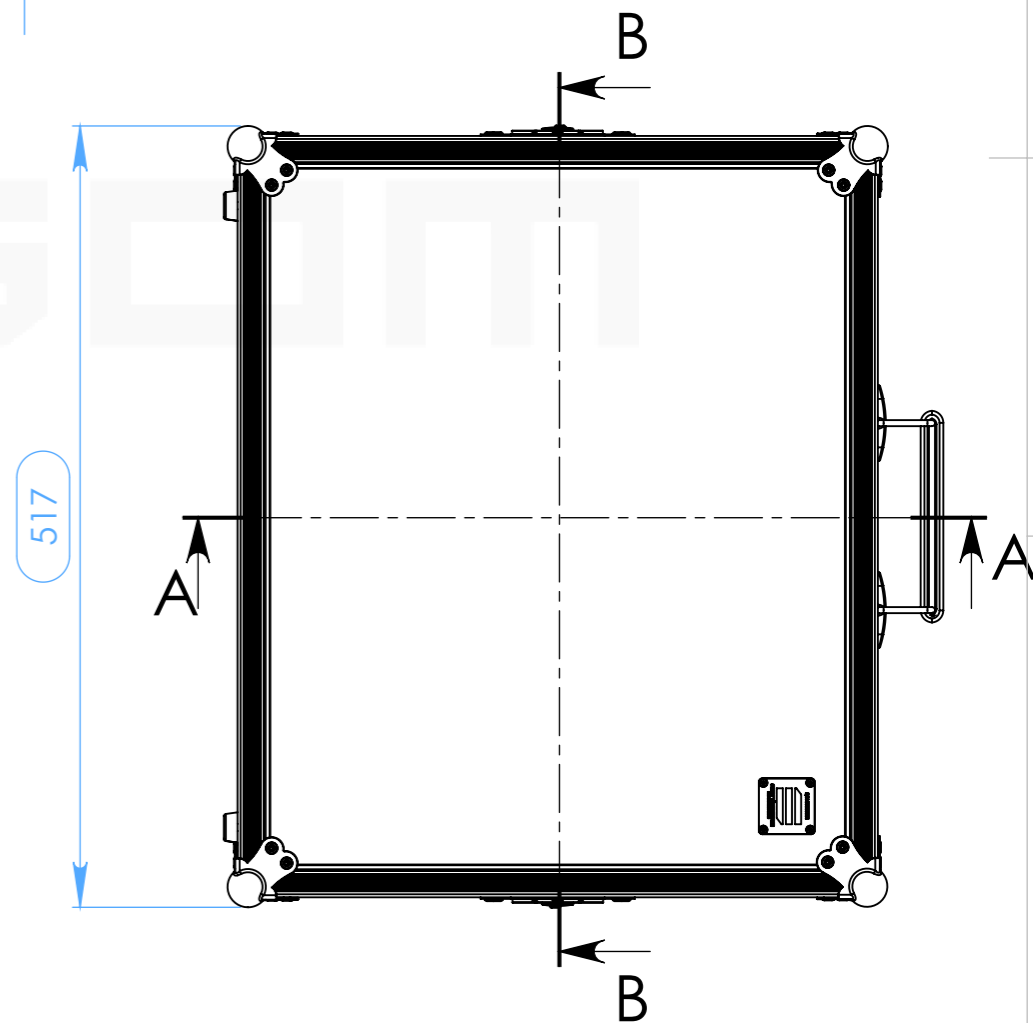
Width	Depth	Height
486	406	146
Weight	Approx. 6 Kg	
Wall Thickness	7mm	



SECTION A-A



SECTION B-B



Hardware	
Qty	Description
8	Medium corner-brace zinc plated 1,0mm
2	Key lockable medium Butterfly special
8	Small ball corner - 3 leg - zinc plated
1	Leather Case Handle
8	Rubber Foot 20 x 9 mm black

This drawing must not be copied or disclosed without consent of the owner

Drawn by	Name	Date
carlasilva	carlasilva	20/10/2017
Reference	S22B.0524418	
Scale	units in mm	general tolerance
1:5	DO NOT SCALE	0.8mm
1st Angle projection	FC, S11B, 483X396X113	

