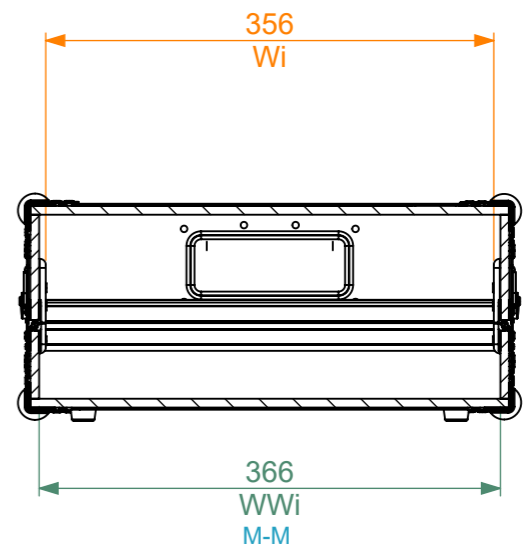
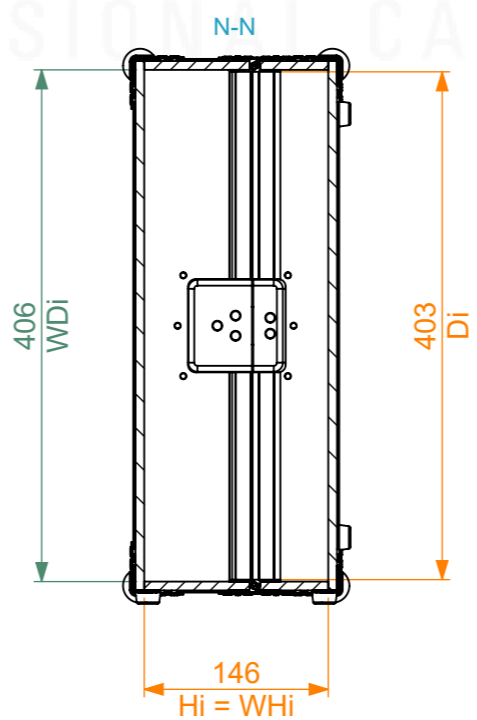
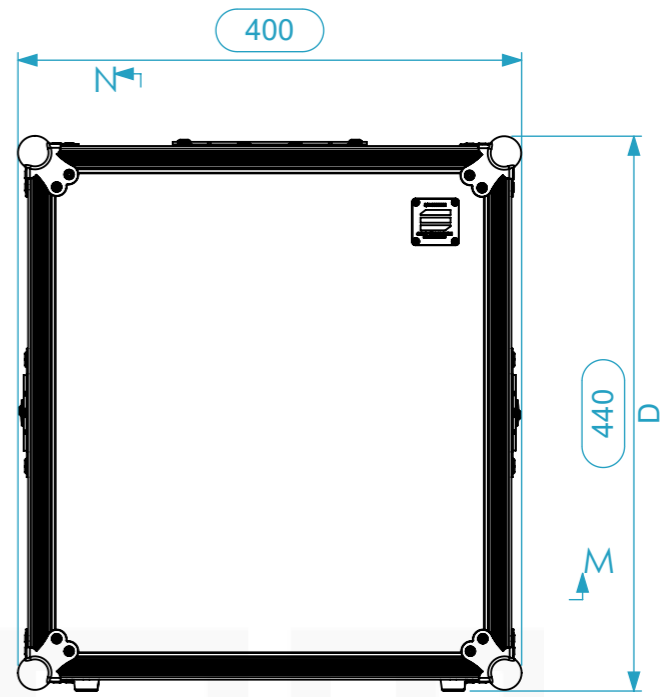
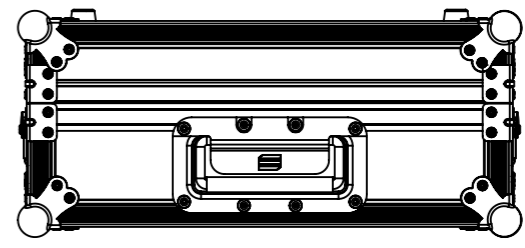
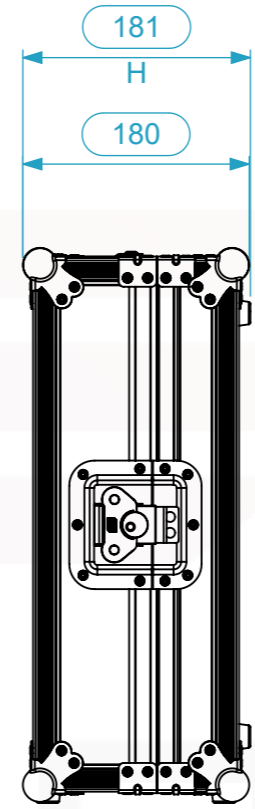
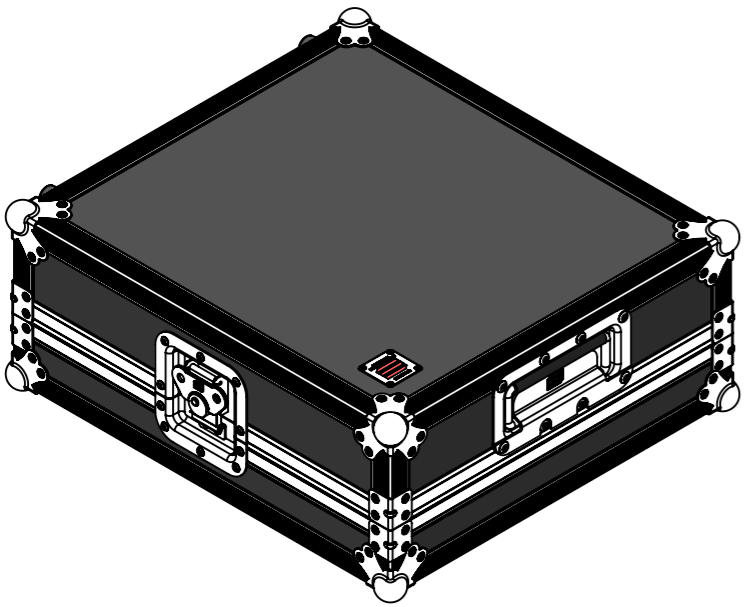


Internal Dimensions		
Width	Depth	Height
363	403	146
Weight	Approx. 4.7 Kg	
Wall Thickness	7mm	



General External Dimensions	
W	Width
D	Depth
H	Height
Wood Inner Dimensions	
WWi	Wood Inside Width
WDi	Wood Inside Depth
WHi	Wood Inside Height
Usable Inner Dimensions	
Wi	Inside Width
Di	Inside Depth
Hi	Inside Height

This drawing must not be copied or disclosed without consent of the owner

Drawn by	Name	Date
projects		03/12/2020
Reference	S22B.0404418	
Scale	units in mm	general tolerance
1:6	DO NOT SCALE	0.8mm
1st Angle projection		
Flight case S22B, 366x406x146 Inner dim.		



A3