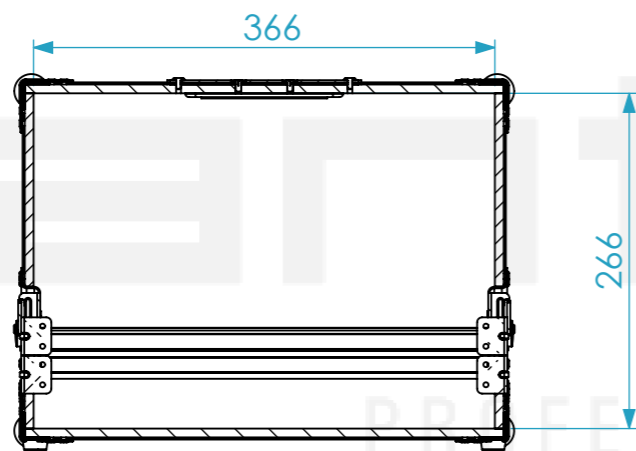
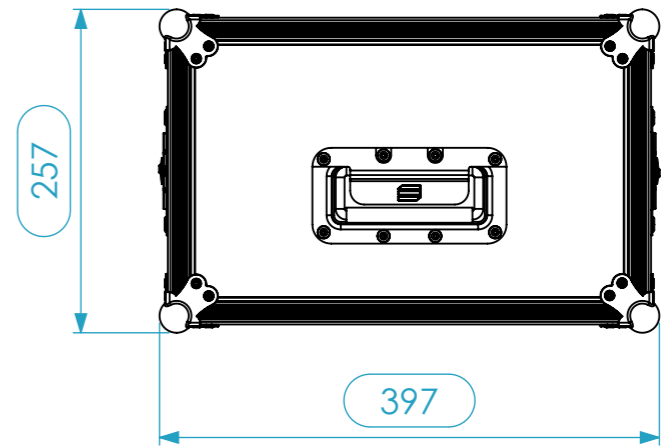
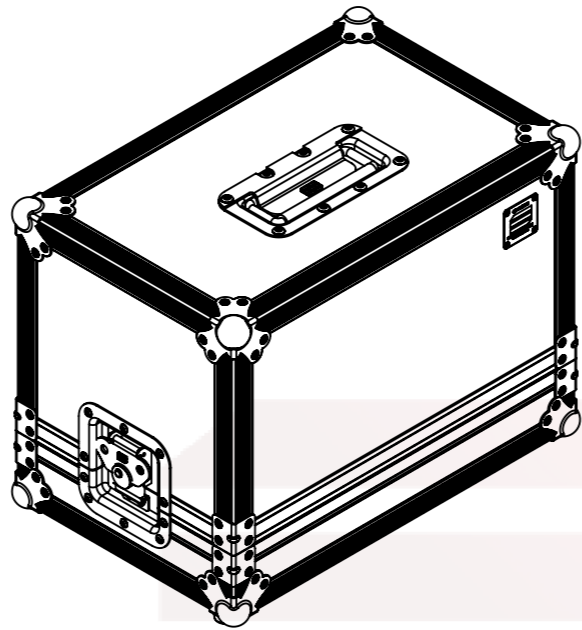
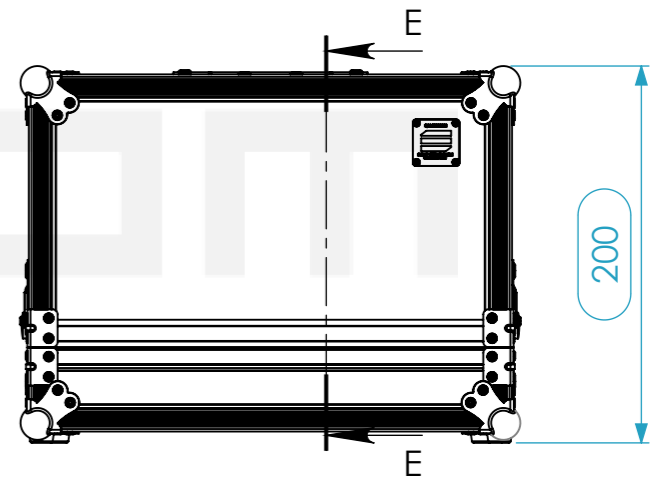
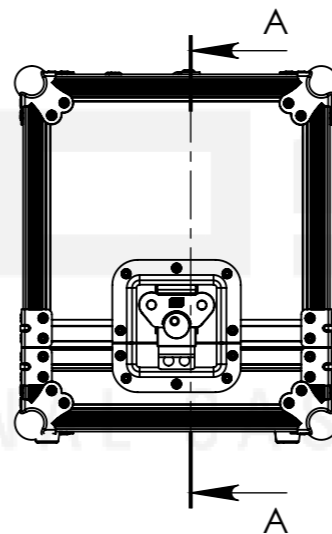


Internal Dimensions		
Width	Depth	Height
363	223	263
Weight	Approx. 4 Kg	
Wall Thickness		7mm



SECTION A-A



Hardware		
Qty	Ref.	Description
8	40407	Medium corner-brace zinc plated 1,0mm
8	C1345Z	Small ball corner - 3 leg - zinc plated
4	4903	Rubber foot 20 x 9 mm, black
2	17290S	Key lockable medium Butterfly special
1	340822	Recessed sprung handle - Small
1	CHAPA.1001	Identification Plate

This drawing must not be copied or disclosed without consent of the owner



Scale 1:6

units in mm

DO NOT SCALE

general tolerance 0.8mm

FC S22B

Name	Date
CatarinaDuque	10-01-2018
Reference S22B.0402630	

