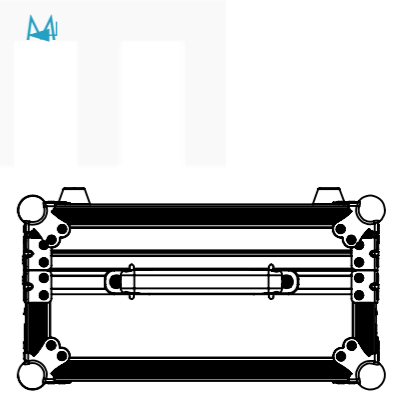
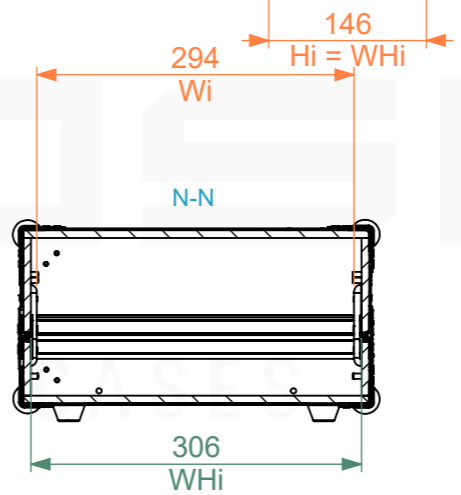
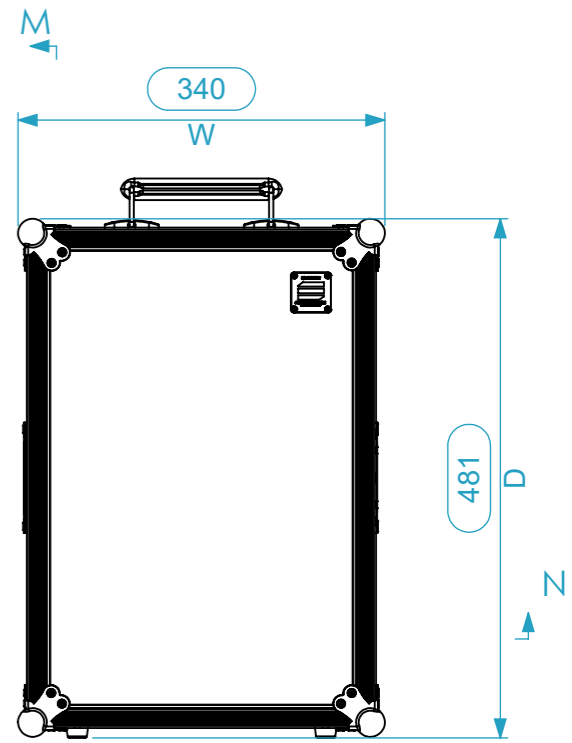
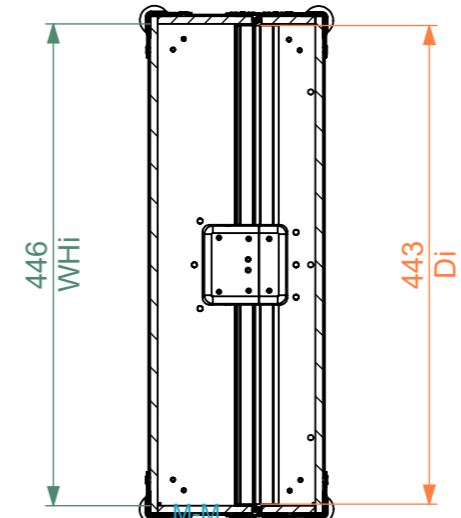
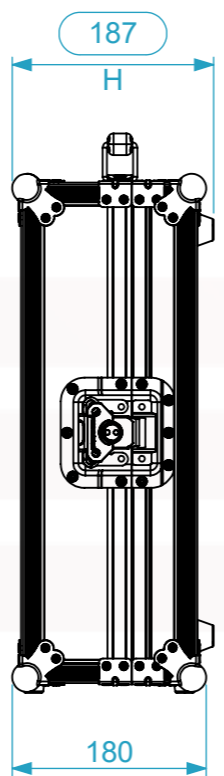
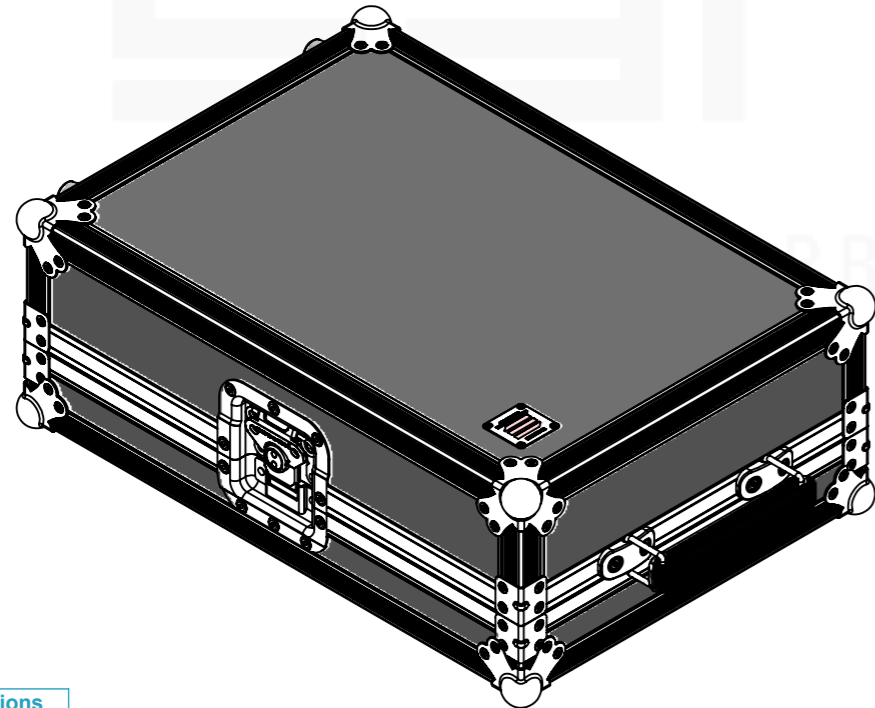
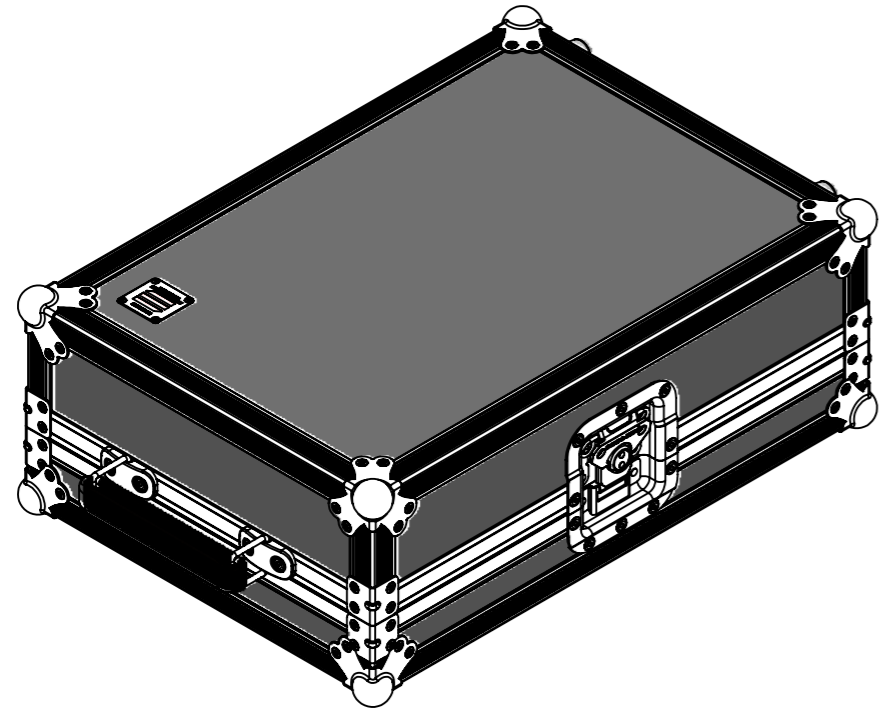


Internal Dimensions		
Width	Depth	Height
303	443	143
Weight	Approx. 3 Kg	
Wall Thickness		7mm



General External Dimensions	
W	Width
D	Depth
H	Height
Usable Inner Dimensions	
Wi	Inside Width
Di	Inside Depth
Hi	Inside Height
Wood Inner Dimensions	
WWi	Wood Inside Width
WDi	Wood Inside Depth
WHi	Wood Inside Height

This drawing must not be copied or disclosed without consent of the owner

Drawn by	Name	Date
guilherme.santos	16/04/2026	
Reference	S22B.0344818	
Scale	units in mm	general tolerance
1:7	DO NOT SCALE	0.8mm
Flight case S22B, 303x443x143 Inner dim.		



A3

