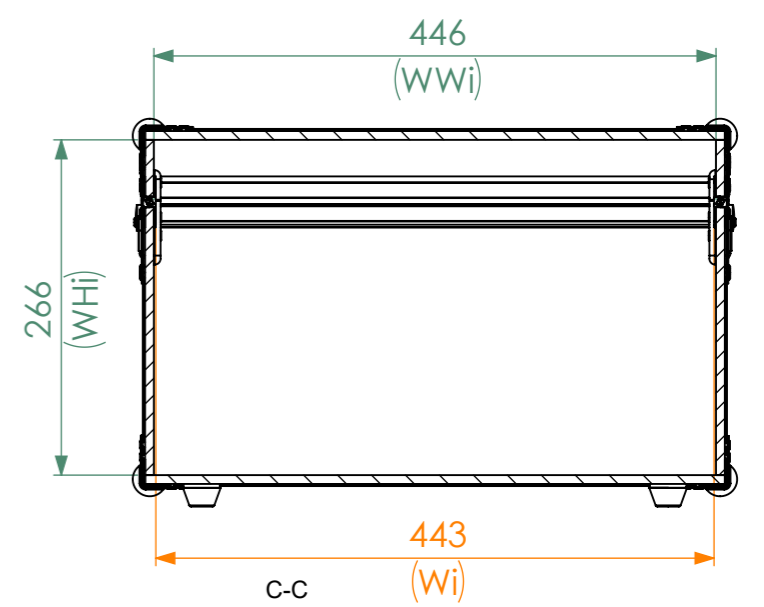
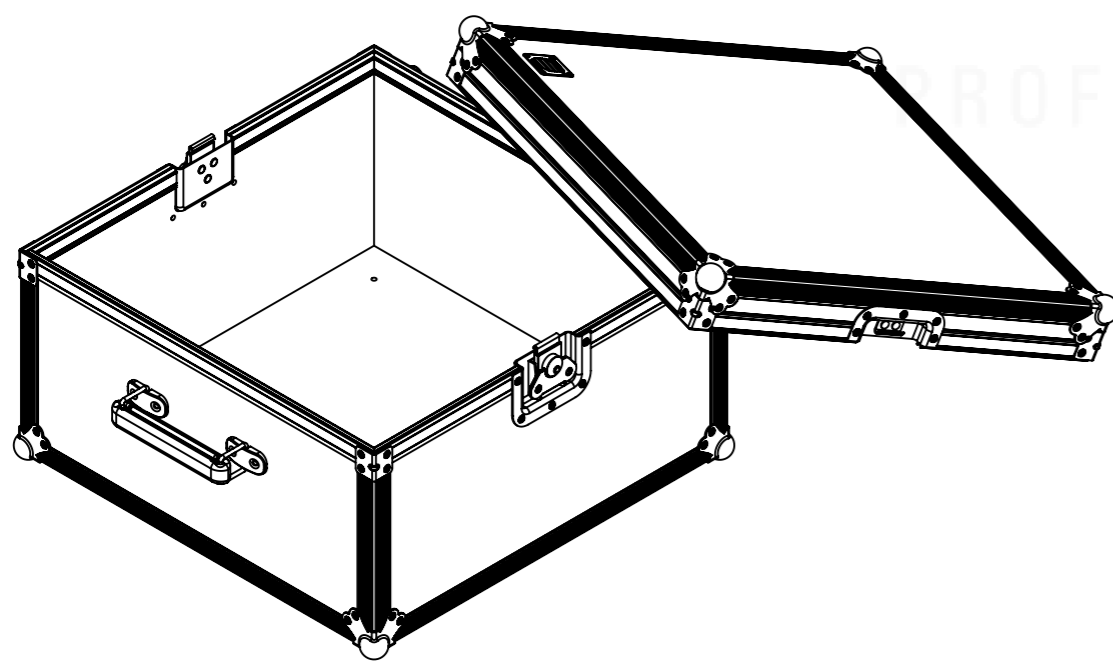
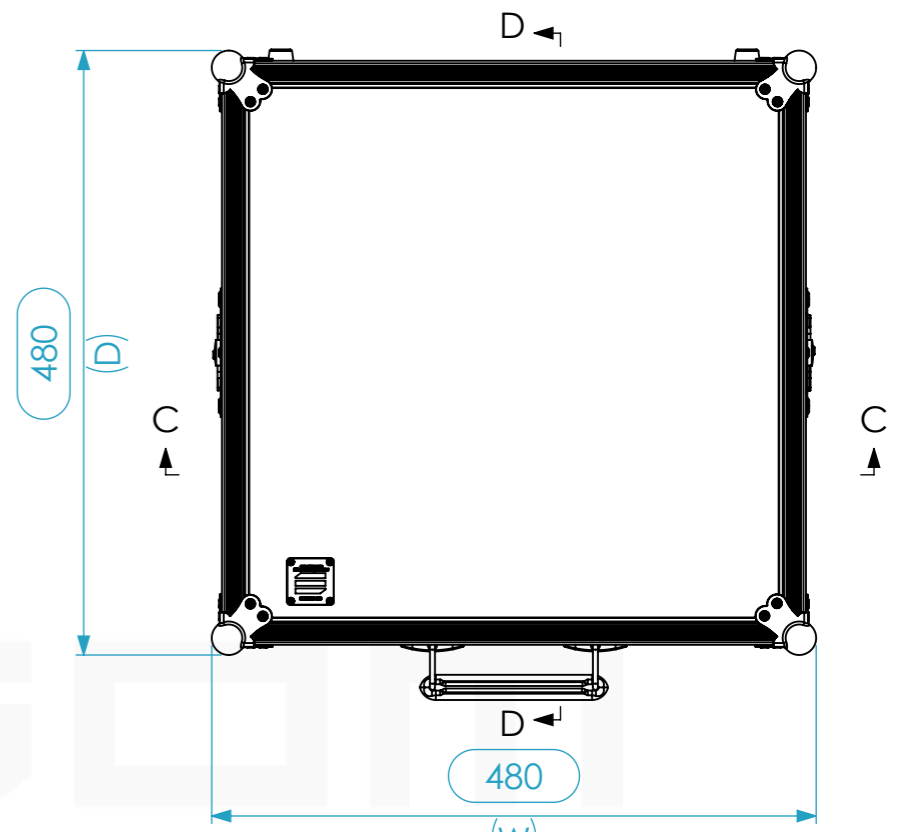
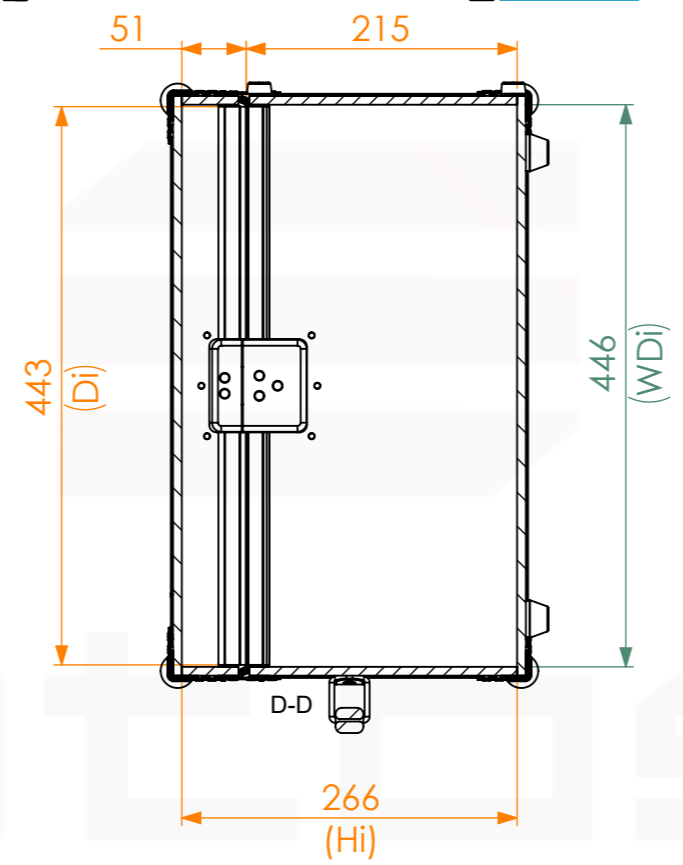
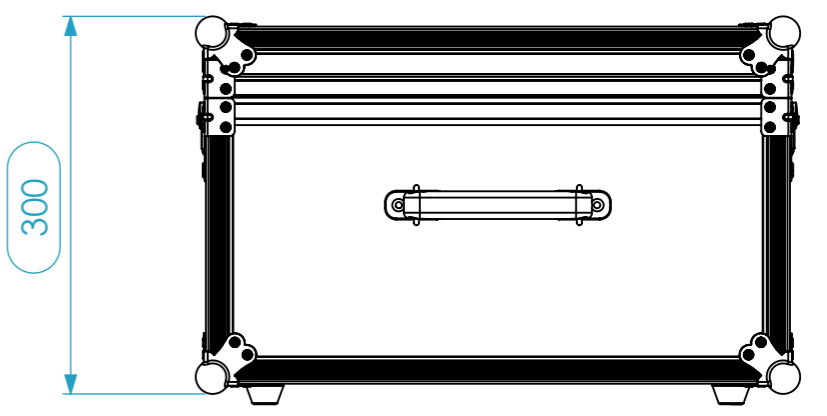
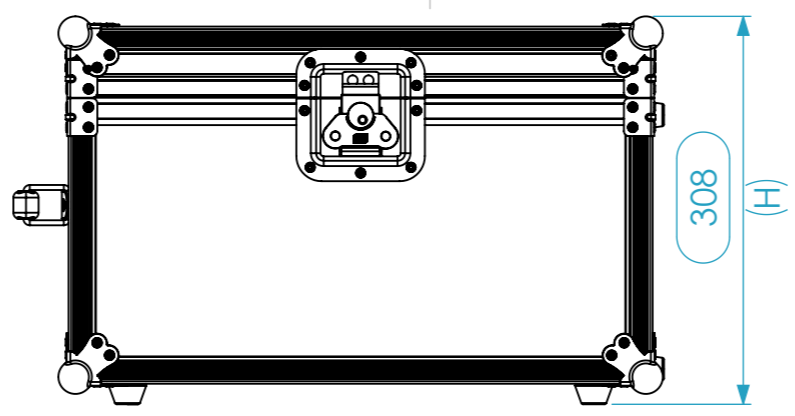
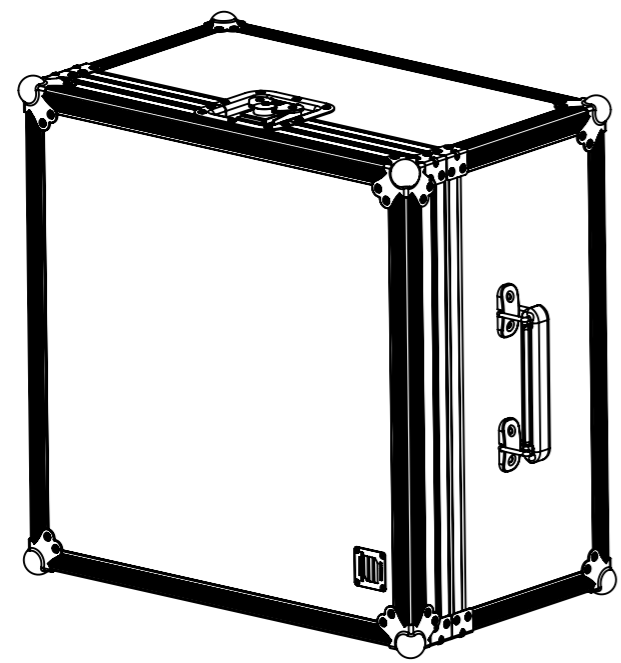


Internal Dimensions		
Width	Depth	Height
443	443	263
Weight	Approx. 7 Kg	
Wall Thickness	7mm	



General External Dimensions		Usable Inner Dimensions (UID)		Wood Inner Dimensions (WID)	
W	Width	Wi	Inside Width	WWi	Wood Inside Width
D	Depth	Di	Inside Depth	WDi	Wood Inside Depth
H	Height	Hi	Inside Height	WHi	Wood Inside Height

This drawing must not be copied or disclosed without consent of the owner

Drawn by	ricardocosta	Date	13/06/2019
Reference	S22A.0484830		
Scale	1:6	units in mm	general tolerance 0.8mm
1st Angle projection	Briefcase S22A 48.48.30 (44x44x26 WID)		

