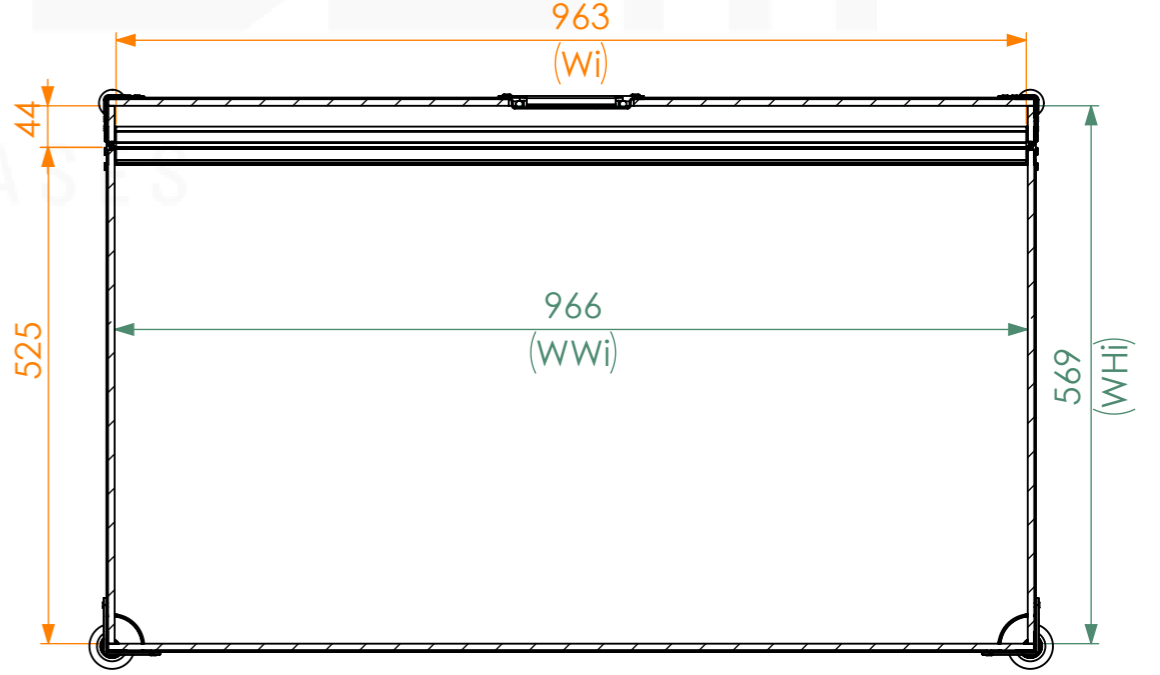
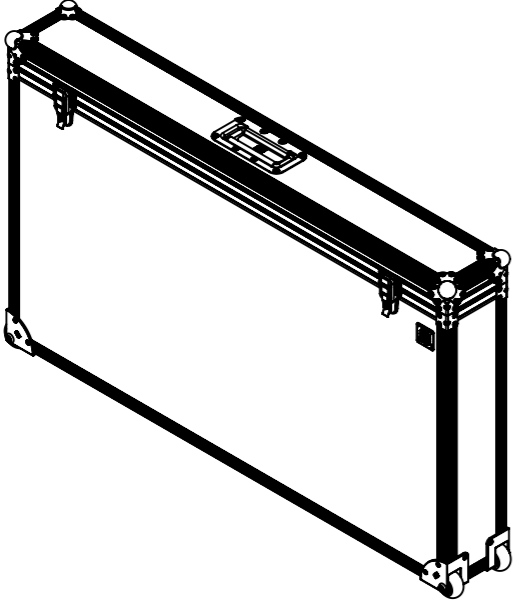
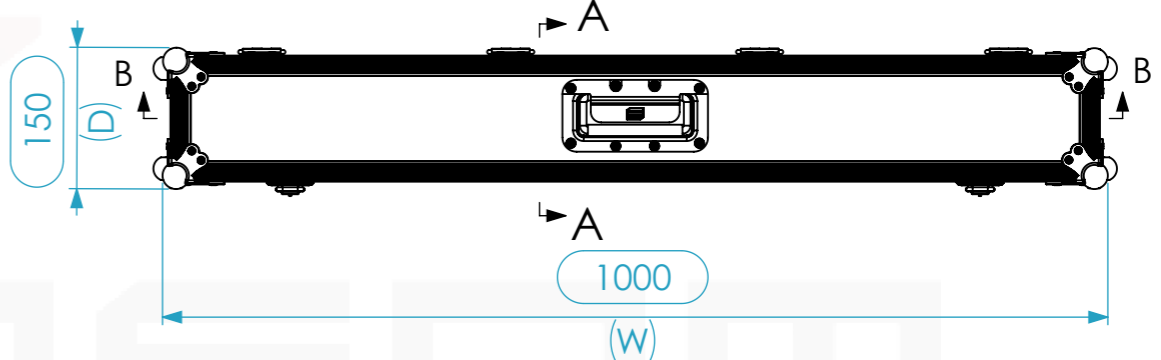
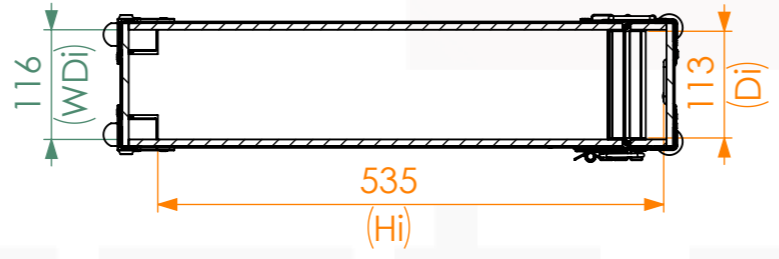
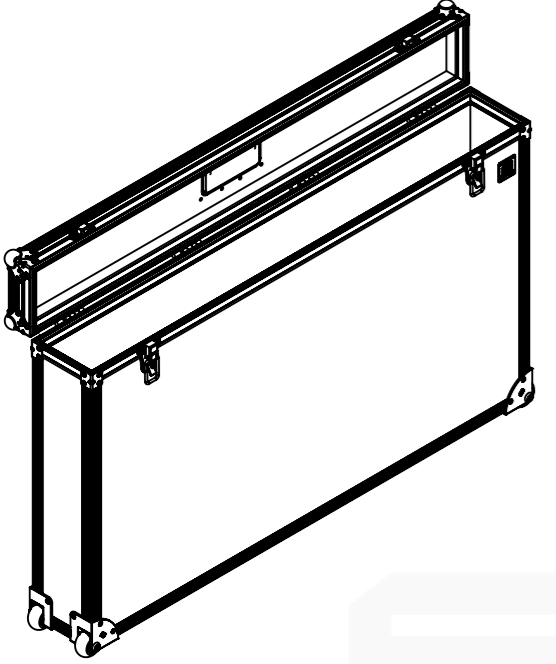
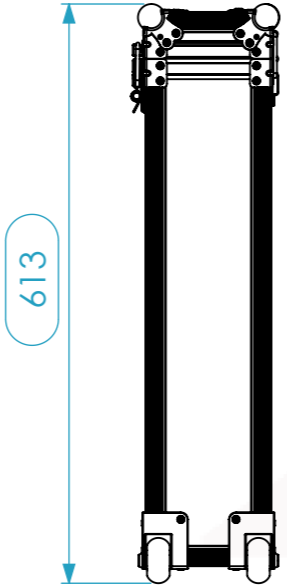


Internal Dimensions		
Width	Depth	Height
963	113	535
Weight	Approx. 10 Kg	
Wall Thickness		7mm



General External Dimensions		Usable Inner Dimensions (UID)		Wood Inner Dimensions (WID)	
W	Width	Wi	Inside Width	WWi	Wood Inside Width
D	Depth	Di	Inside Depth	WDi	Wood Inside Depth
H	Height	Hi	Inside Height	WHi	Wood Inside Height

A3 This drawing must not be copied or disclosed without consent of the owner

Drawn by	Name	Date
CatarinaHenriques	S1AAR.1001560	27/03/2018
Reference	Scale	units in mm
	1:8	DO NOT SCALE
		general tolerance 0.8mm
		SC S1R. 963X113X566

