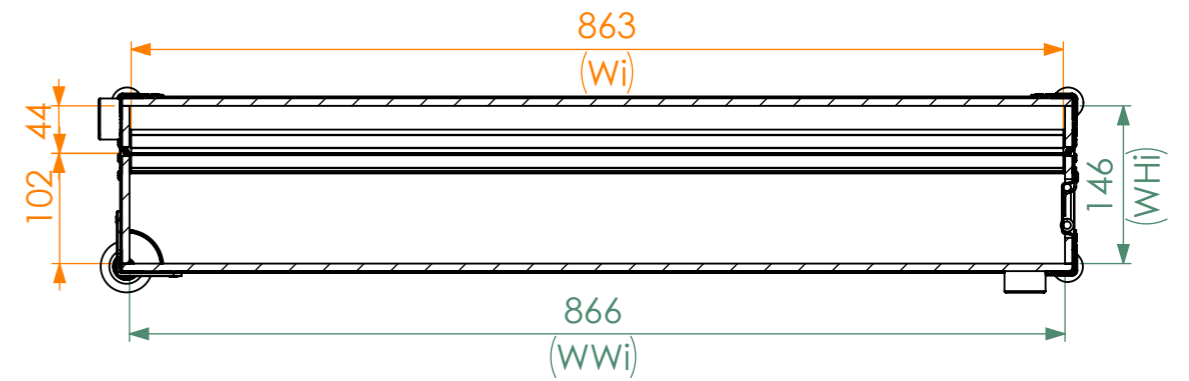
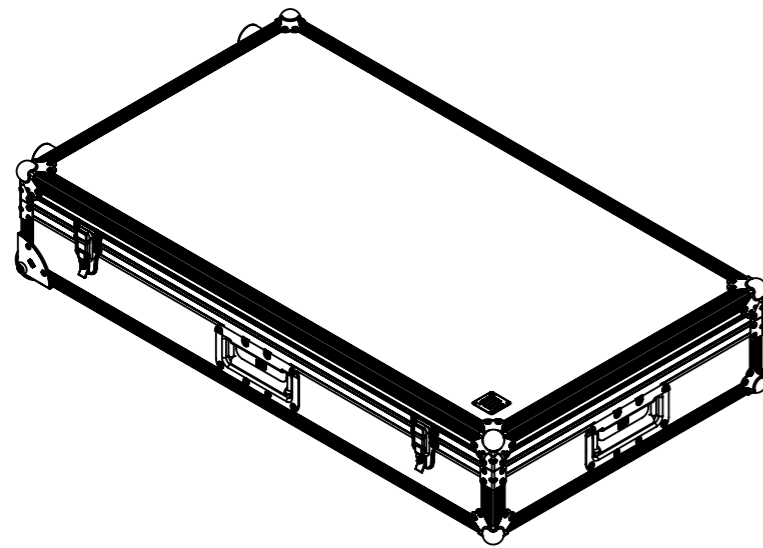
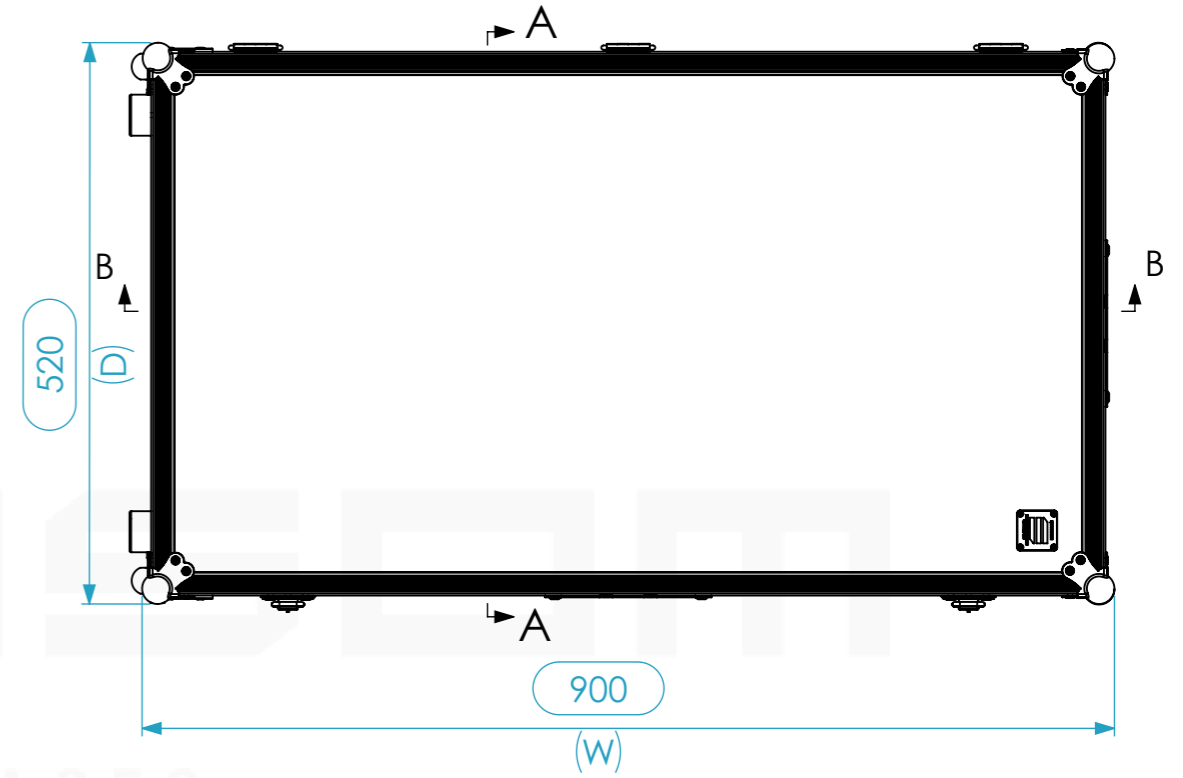
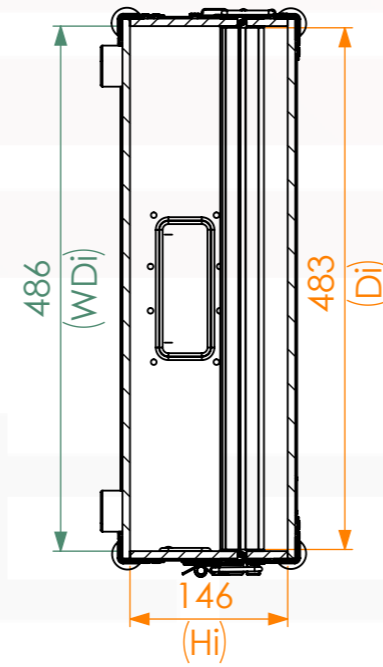
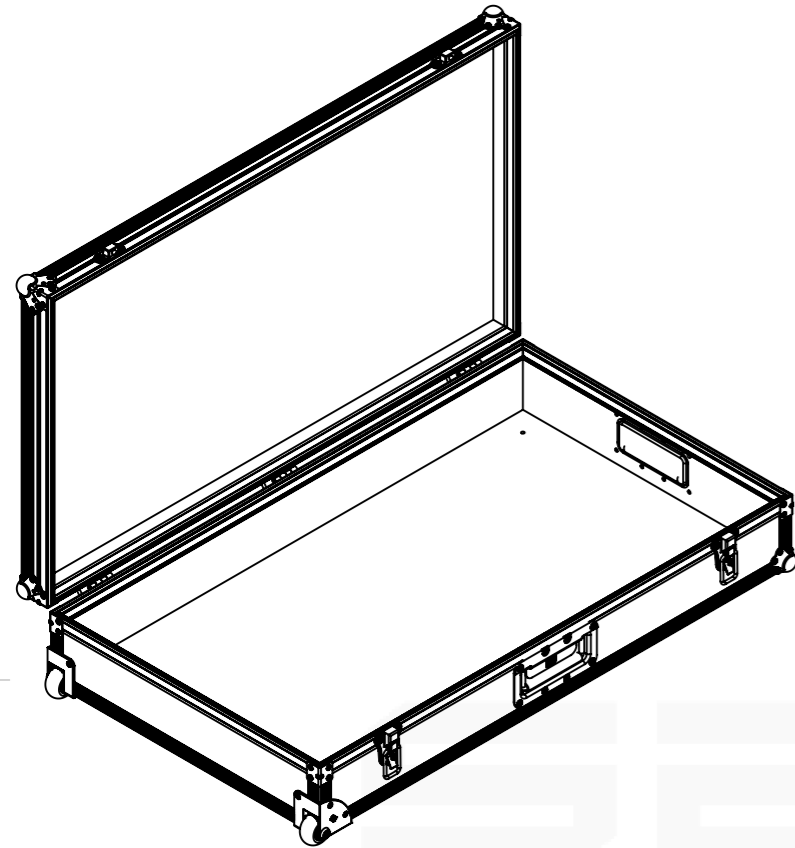
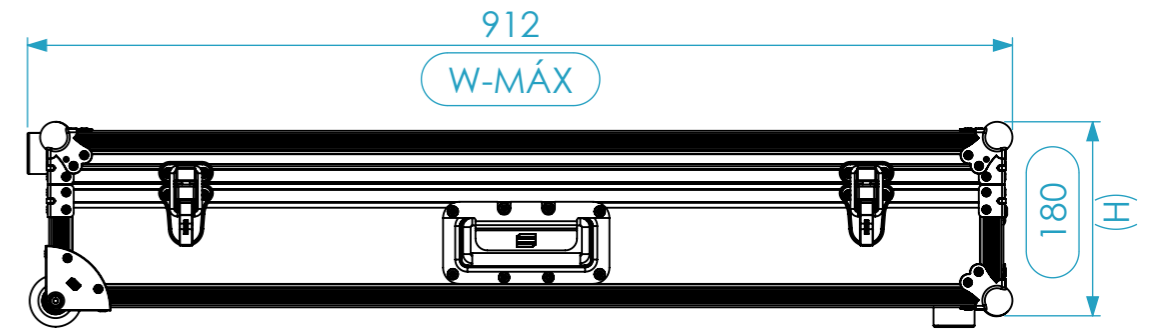
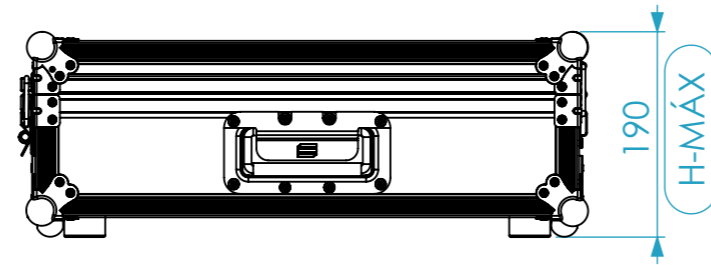


| Internal Dimensions | | |
|---------------------|---------------|-----------------------|
| Width | Depth | Height |
| 863 | 483 | RD2@Drawing View21 |
| Weight | Approx. 10 Kg | |
| Wall Thickness | 7mm | |



| General External Dimensions | | Usable Inner Dimensions (UID) | | Wood Inner Dimensions (WID) | |
|-----------------------------|--------|-------------------------------|---------------|-----------------------------|--------------------|
| W | Width | Wi | Inside Width | WWi | Wood Inside Width |
| D | Depth | Di | Inside Depth | WDi | Wood Inside Depth |
| H | Height | Hi | Inside Height | WHi | Wood Inside Height |

| | |
|--------------|------------------------------|
| Name | Date |
| Drawn by | CatarinaHenriques 26/03/2018 |
| Reference | S1AAR.0905218 |
| Scale | 1:7 |
| units in mm | general tolerance 0.8mm |
| DO NOT SCALE | SC S1R. 863X483X143 |



This drawing must not be copied or disclosed without consent of the owner



A3