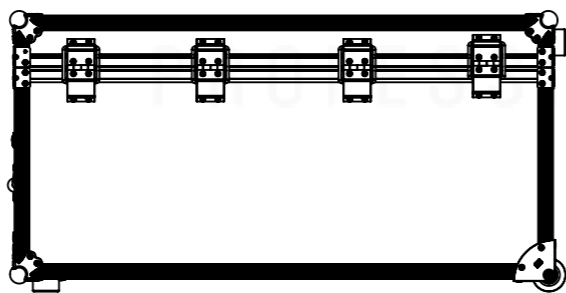
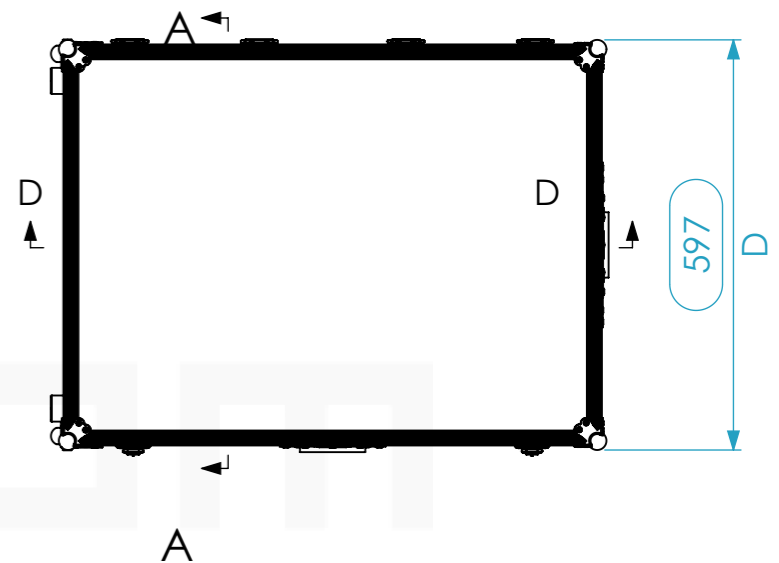
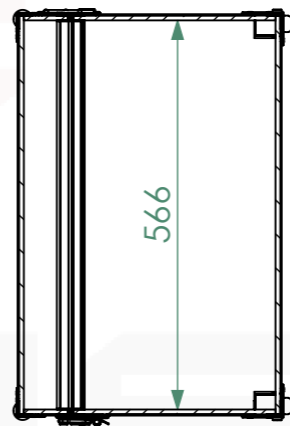
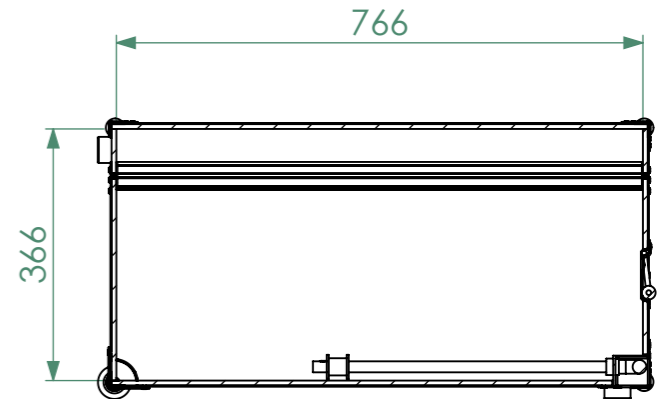
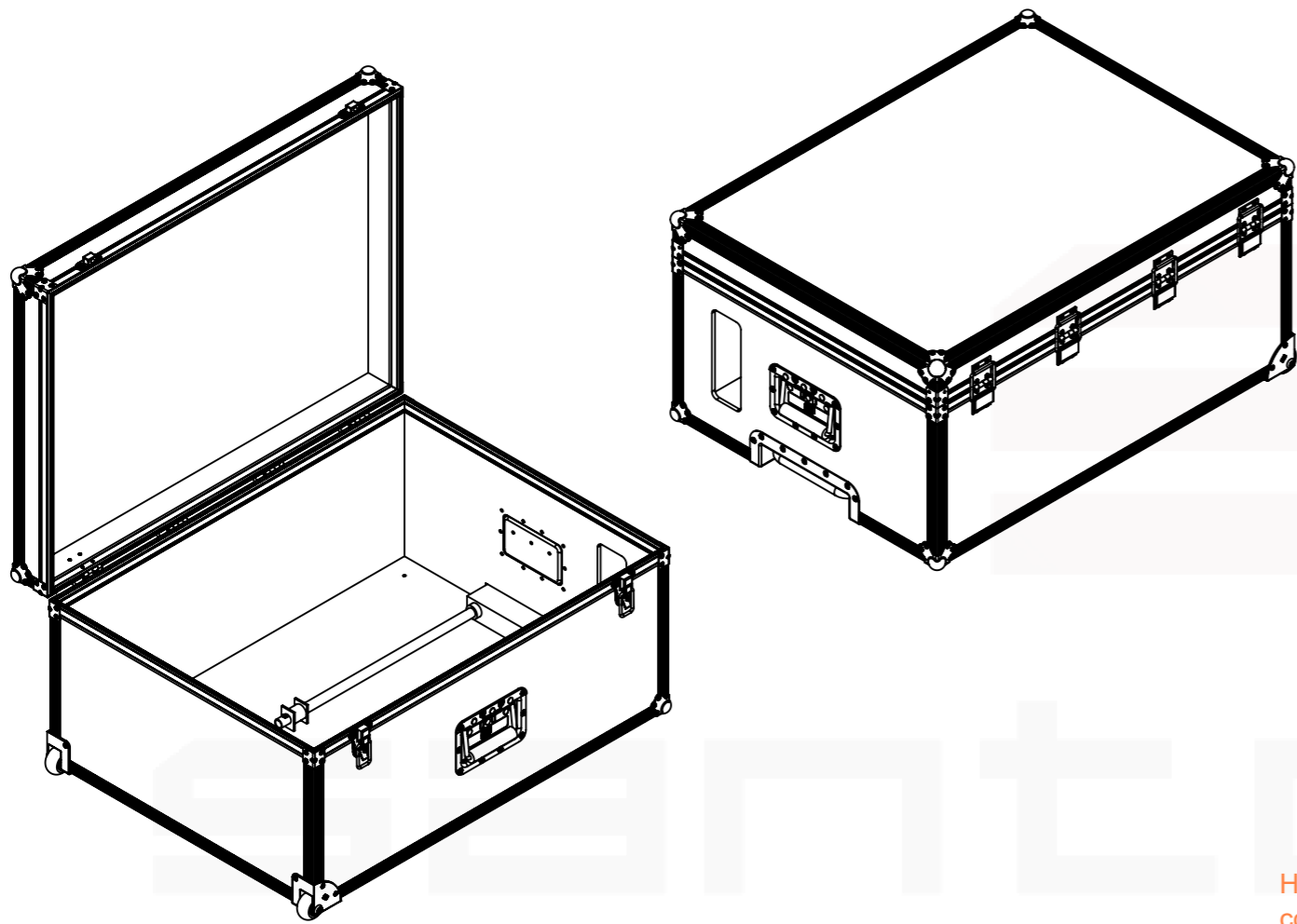
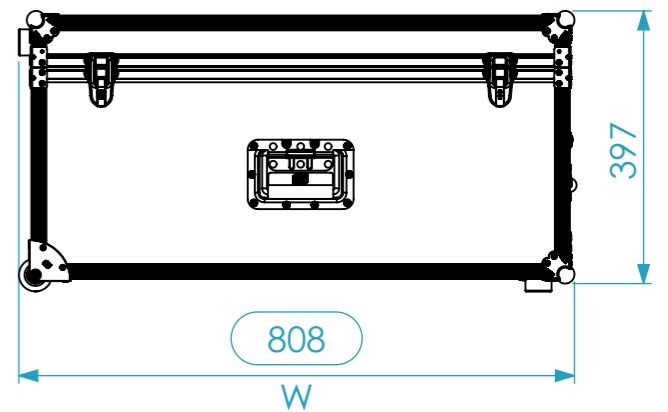
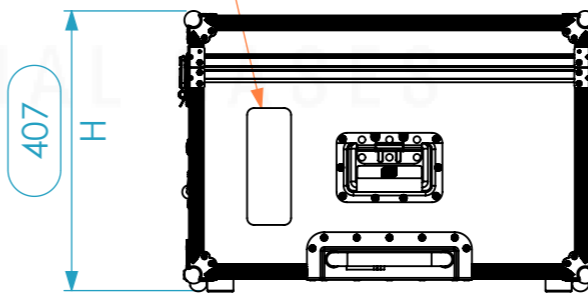


Interior dimensions

Width	Depth	Height
763	563	360
Weight	Approx. 9 Kg	
Wall Thickness	7mm	



Hole for connections box



Hardware		
Qty	Ref.	Description
8	40407	Medium corner-brace zinc plated 1,0mm
2	34082	Recessed Sprung Handle Medium
4	2524	Heavy Duty Strut Hinge
2	16021	Large padlocking drawbolt
1	H2000	Extendable handle 264mm
2	37600S	Castor with 48 mm wheel in aluminium
6	C1345Z	Small ball corner - 3 leg - zinc plated
4	4909	38 mm rubber foot black with steel insert. Height: 20 mm.

General External Dimensions		Wood Inner Dimensions	
W	Width	WWi	Wood Inside Width
D	Depth	WDi	Wood Inside Depth
H	Height	WHi	Wood Inside Height

Name	Date
CatarinaDuque	06-02-2018
Reference	S1AAR.0806040P1

Scale	units in mm	general tolerance
1:11	DO NOT SCALE	0.8mm
FC S1AAR C/ RASGOS E FURAÇÃO P/ TABLETS		



This drawing must not be copied or disclosed without consent of the owner

1st Angle projection

A3