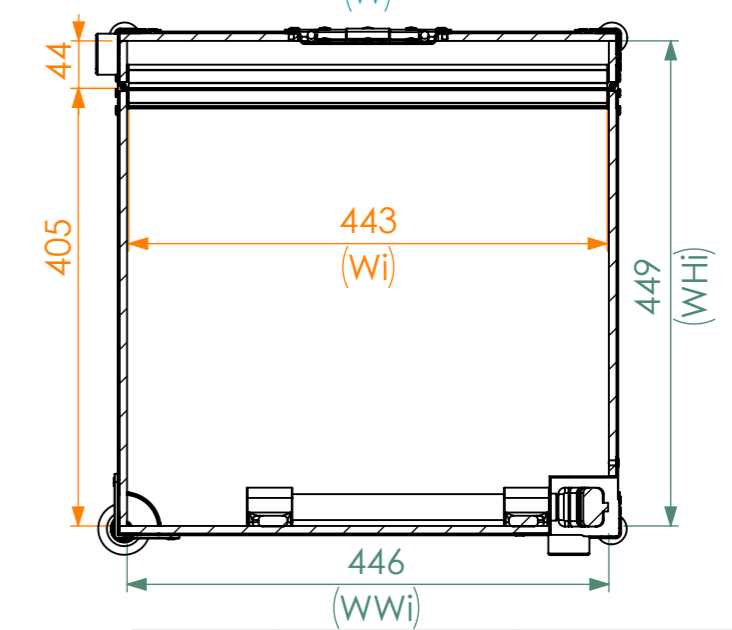
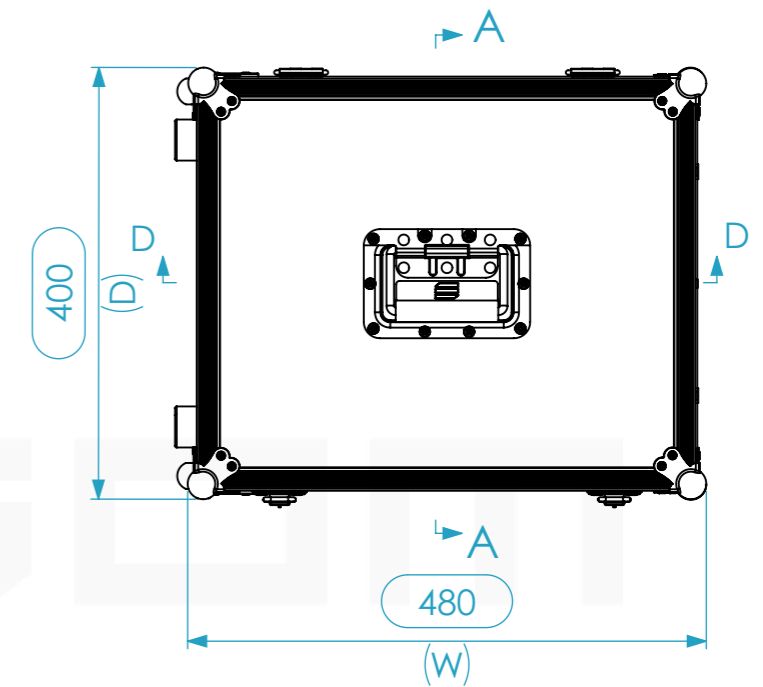
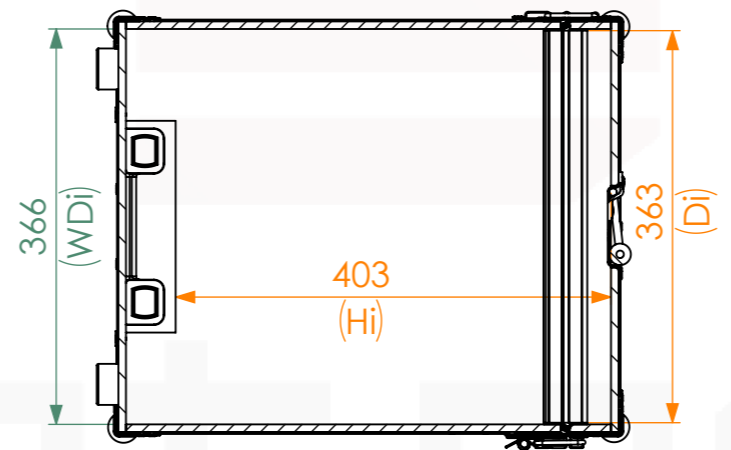
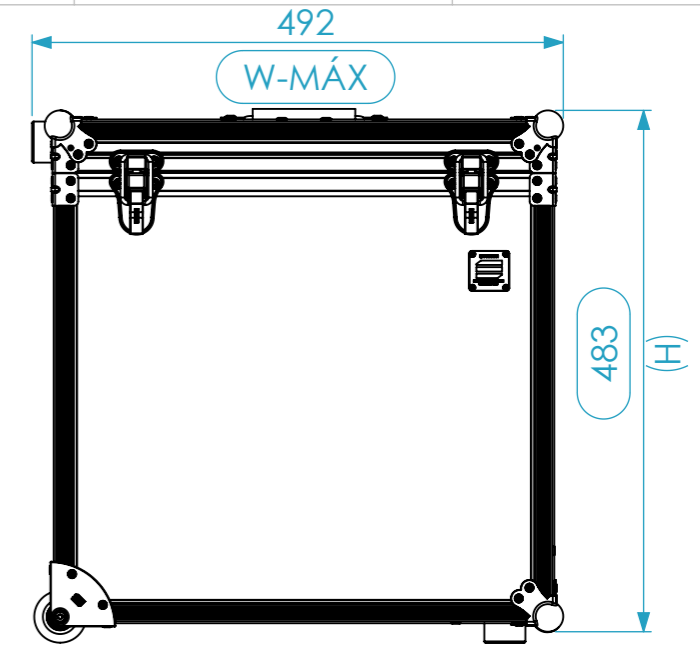
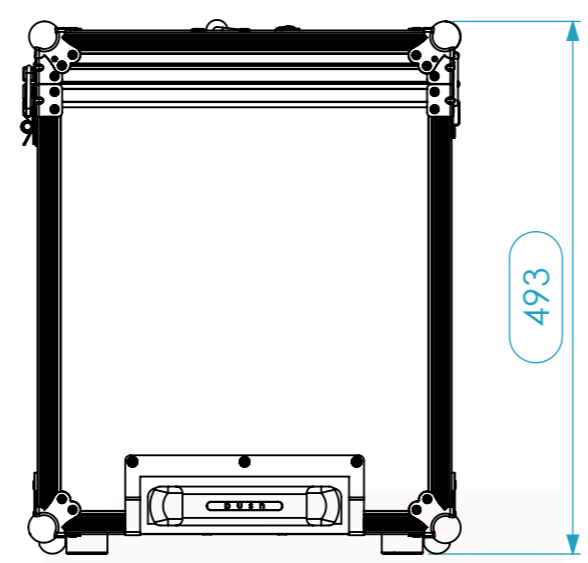
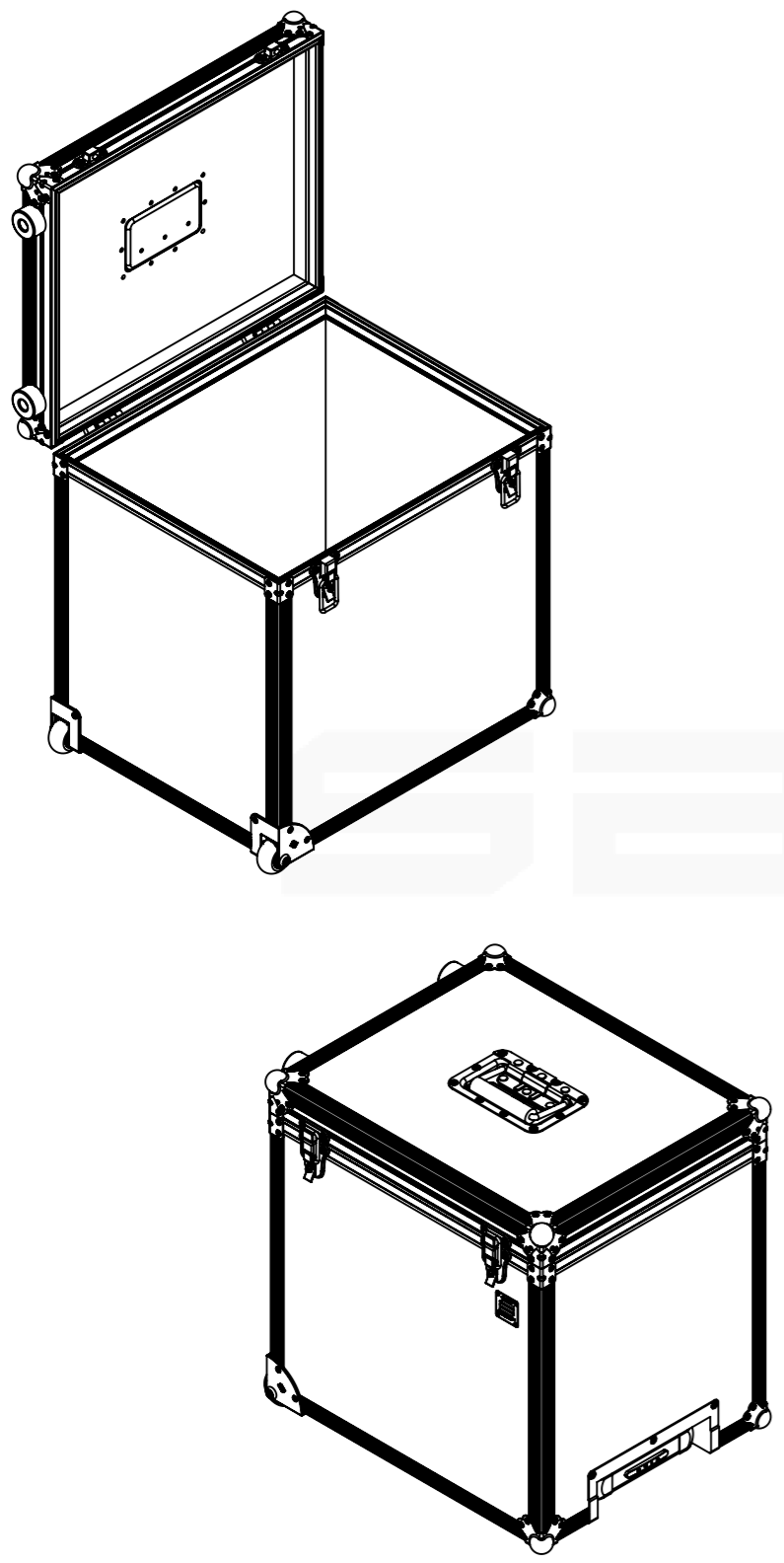


Internal Dimensions		
Width	Depth	Height
443	363	403
Weight	Approx. 9 Kg	
Wall Thickness		7mm



General External Dimensions		Usable Inner Dimensions (UID)		Wood Inner Dimensions (WID)	
W	Width	Wi	Inside Width	WWi	Wood Inside Width
D	Depth	Di	Inside Depth	WDi	Wood Inside Depth
H	Height	Hi	Inside Height	WHi	Wood Inside Height

This drawing must not be copied or disclosed without consent of the owner

Name	Date
Drawn by	CatarinaHenriques 22/03/2018
Reference	S1AAR.0484048
Scale	1:7
units in mm	general tolerance 0.8mm
DO NOT SCALE	SC S1R. 443X363X446



A3