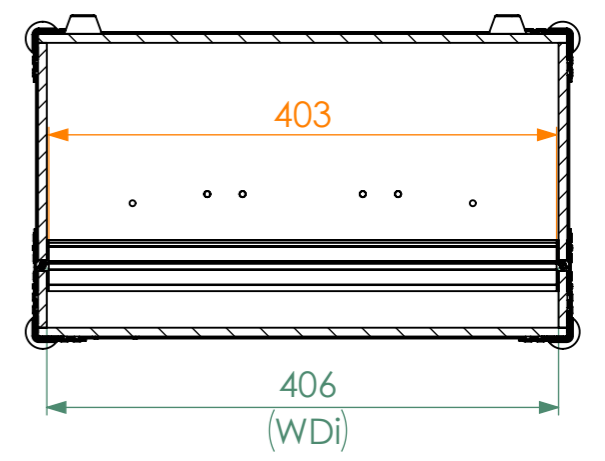
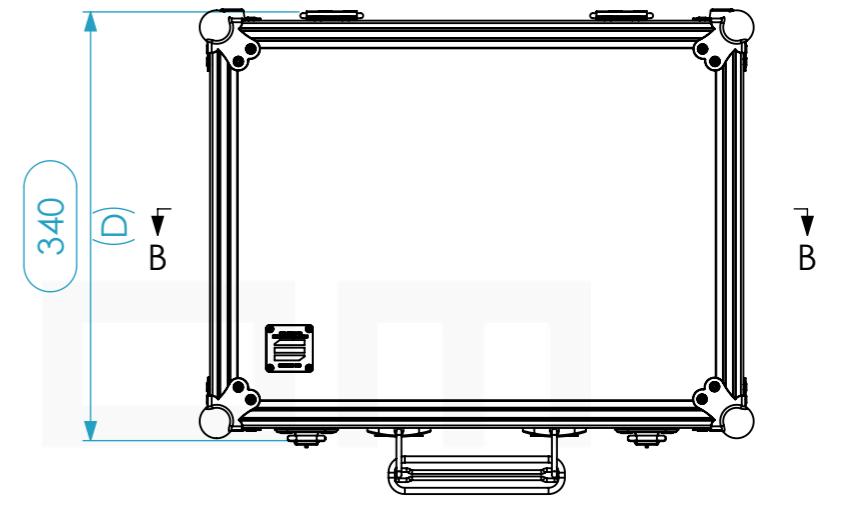
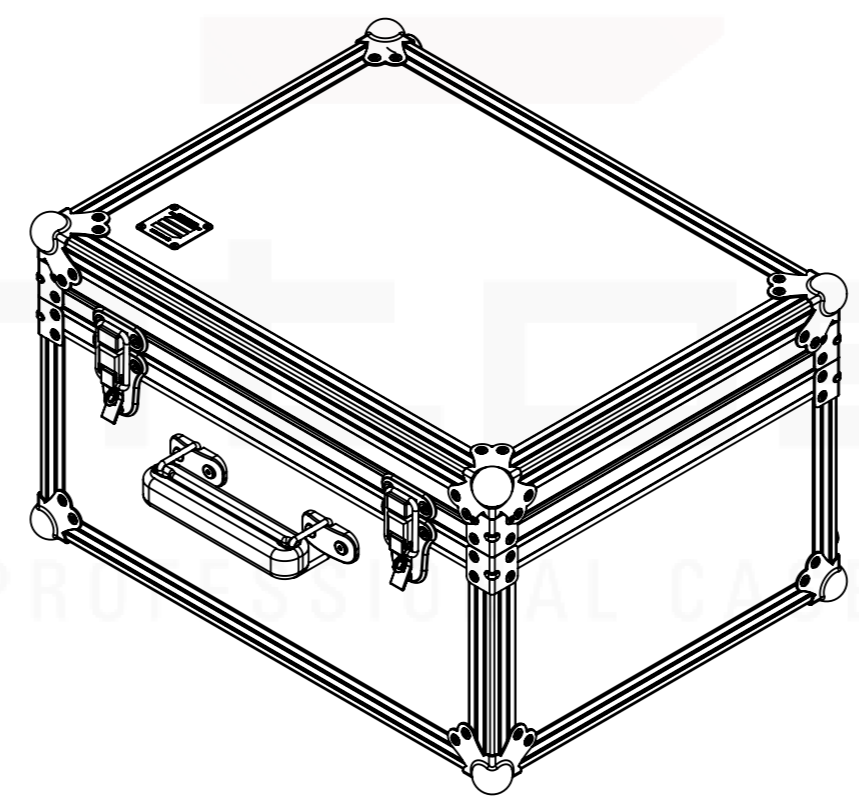
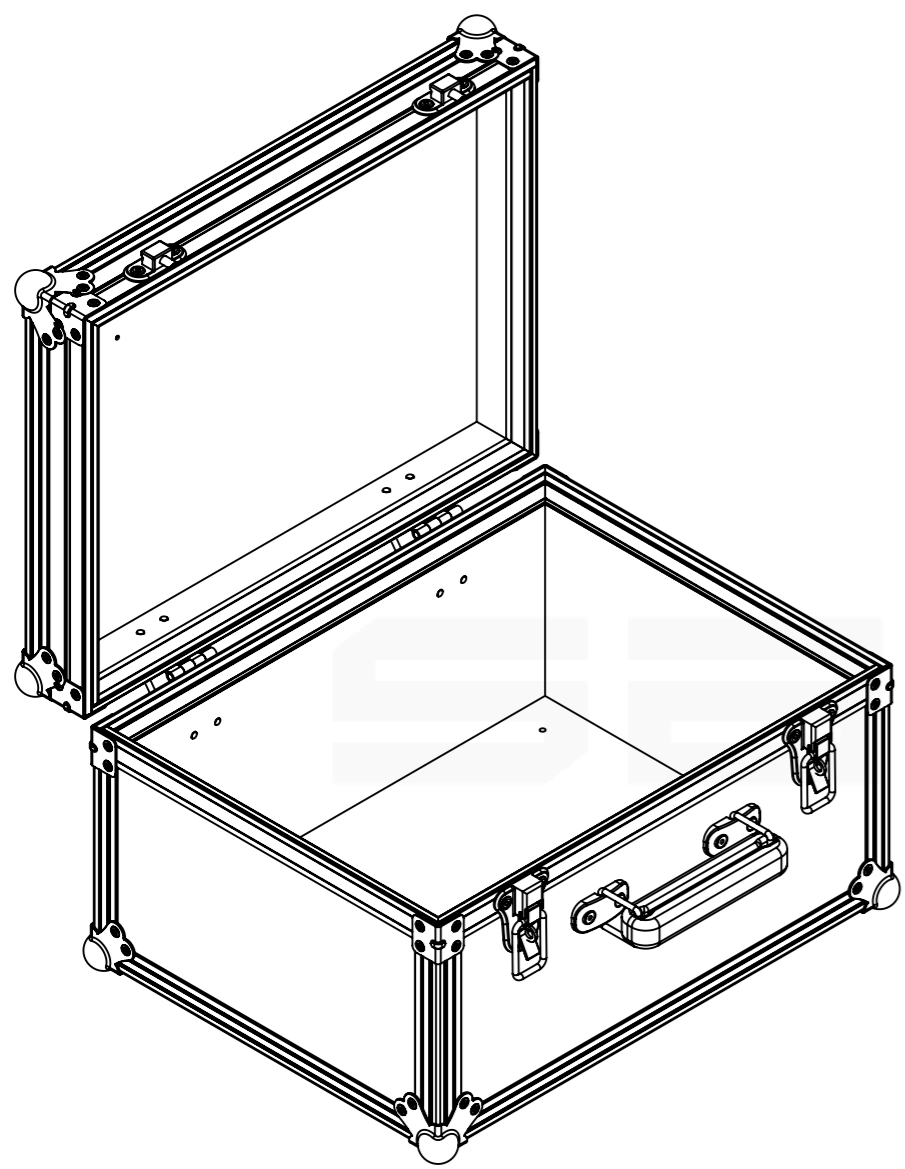
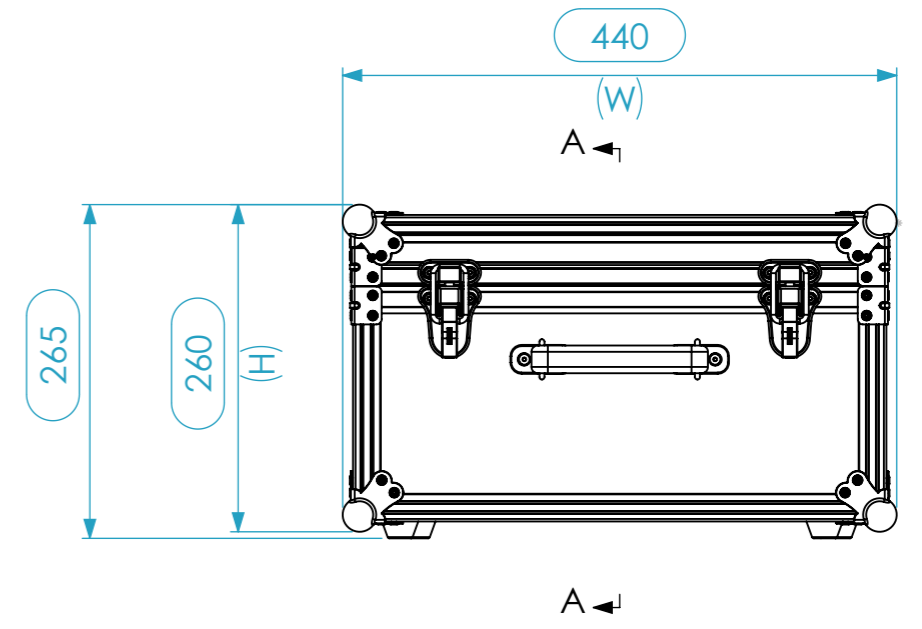
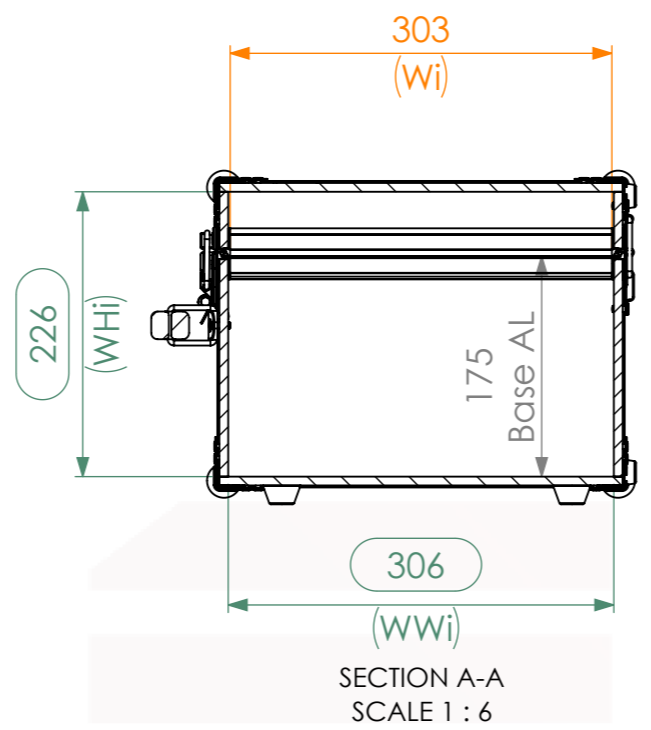


Internal Dimensions		
Width	Depth	Height
403	303	226
Weight	Approx. 3 Kg	
Wall Thickness		7mm



General External Dimensions		Usable Inner Dimensions		Wood Inner Dimensions	
W	Width	Wi	Inside Width	WWi	Wood Inside Width
D	Depth	Di	Inside Depth	WDi	Wood Inside Depth
H	Height	Hi	Inside Height	WHi	Wood Inside Height

A3 This drawing must not be copied or disclosed without consent of the owner

Drawn by	ricardocosta	Date	12/08/2019
Reference	S1AA.0443426		
Scale	1:5	units in mm	general tolerance 0.8mm
1st Angle projection	Mala S1 44.34.26 (41x31x23 WID)		

