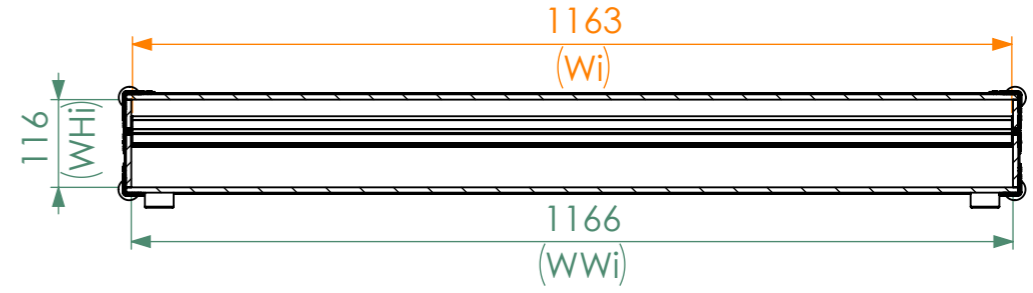
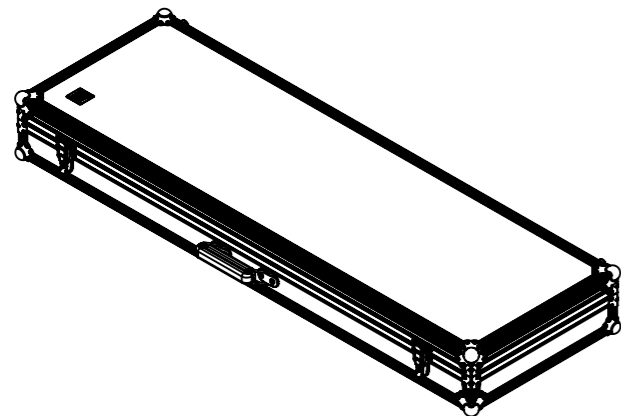
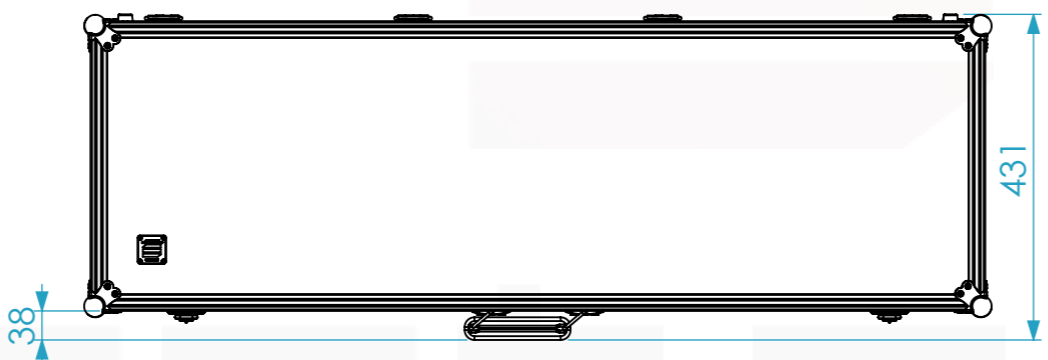
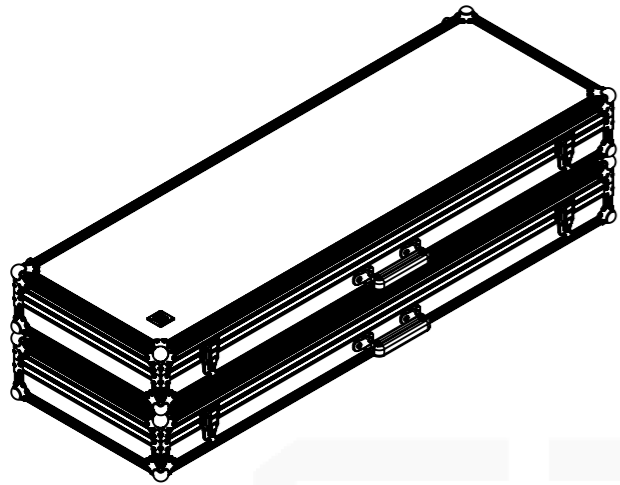
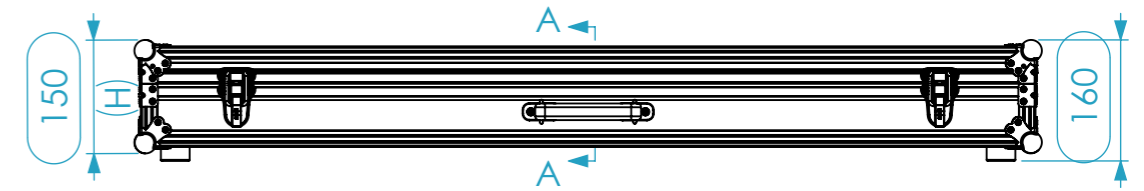
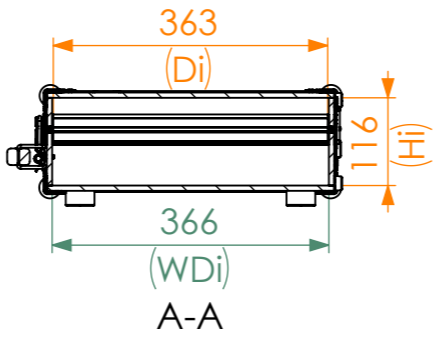


Internal Dimensions		
Width	Depth	Height
1163	363	116
Weight	Approx. 7 Kg	
Wall Thickness		7mm



General External Dimensions		Usable Inner Dimensions (UID)		Wood Inner Dimensions (WID)	
W	Width	Wi	Inside Width	WWi	Wood Inside Width
D	Depth	Di	Inside Depth	WDi	Wood Inside Depth
H	Height	Hi	Inside Height	WHi	Wood Inside Height

Name	Date
Drawn by	CatarinaHenriques 28/03/2018
Reference	S1AA.1204015
Scale	1:10
units in mm	general tolerance 0.8mm
FC S1AA. 1163x363x116mm	



This drawing must not be copied or disclosed without consent of the owner



A3