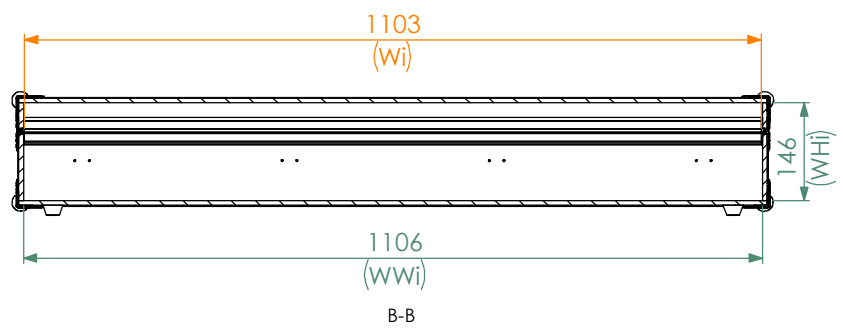
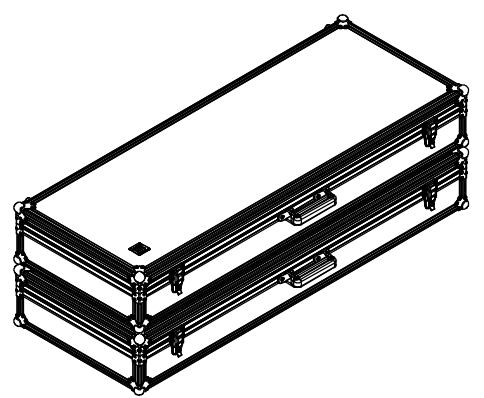
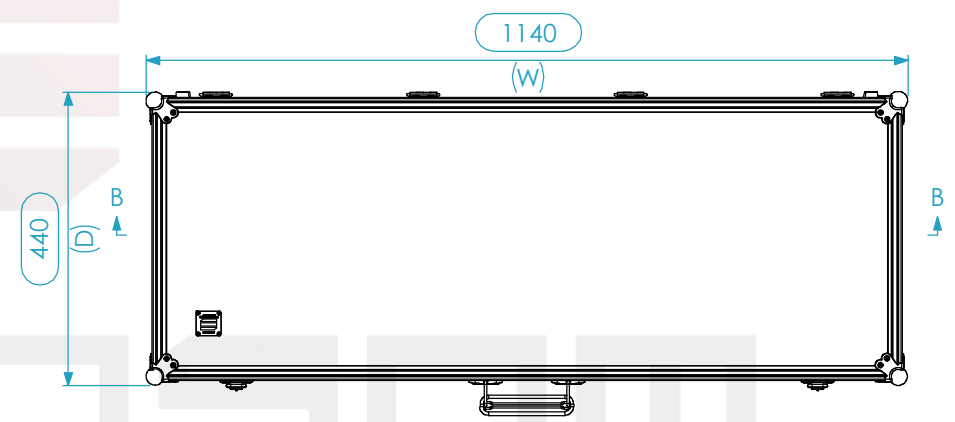
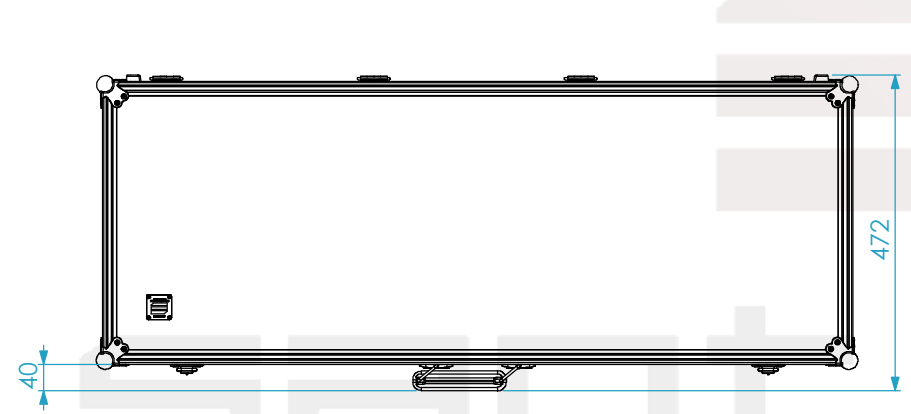
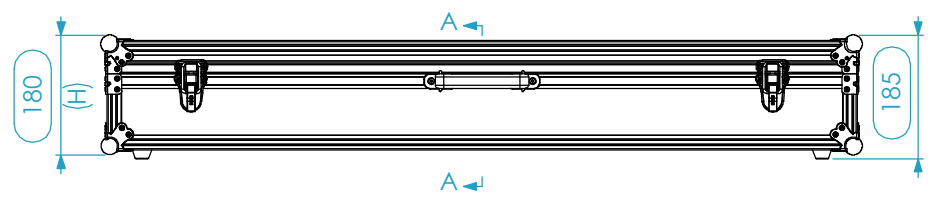
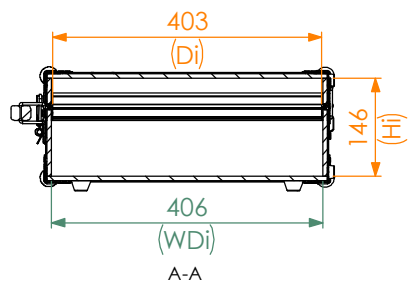


Internal Dimensions		
Width	Depth	Height
1103	403	146
Weight	Approx. 7 Kg	
Wall Thickness		7mm



General External Dimensions		Usable Inner Dimensions		Wood Inner Dimensions	
W	Width	Wi	Inside Width	WWi	Wood Inside Width
D	Depth	Di	Inside Depth	WDi	Wood Inside Depth
H	Height	Hi	Inside Height	WHi	Wood Inside Height

This drawing must not be copied or disclosed without consent of the owner

Name	Date
Drawn by	Catarina Henriques 27/04/2018
Reference	S1AA.114418
Scale	1:8
units in mm	DO NOT SCALE
general tolerance	0.8mm
FC S1AA	1103x403x146



A3