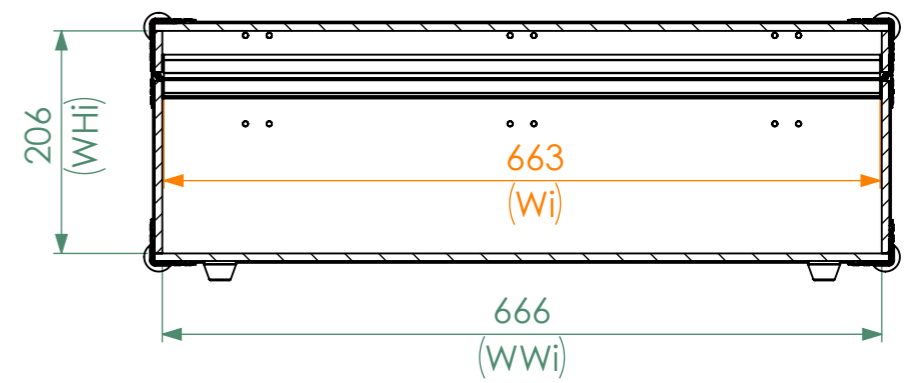
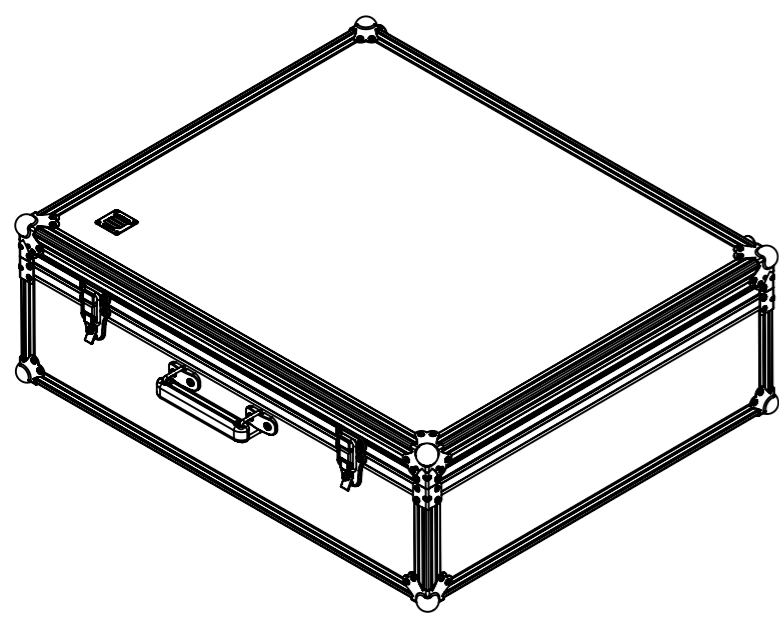
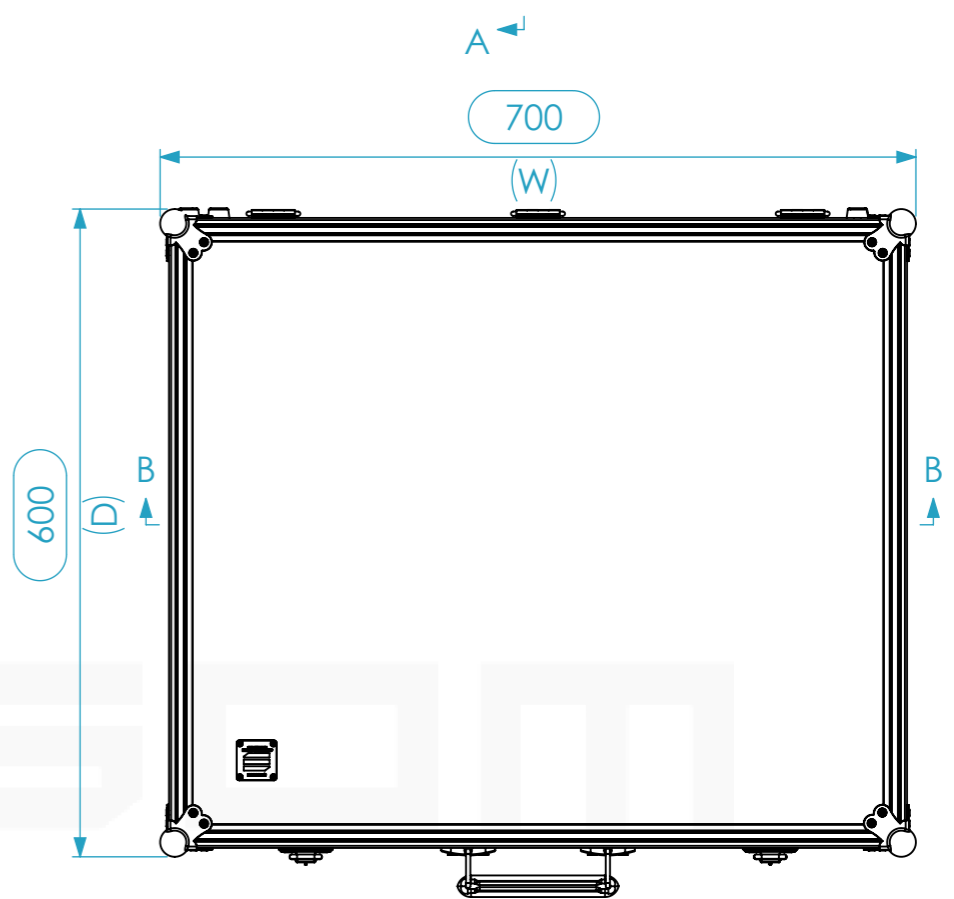
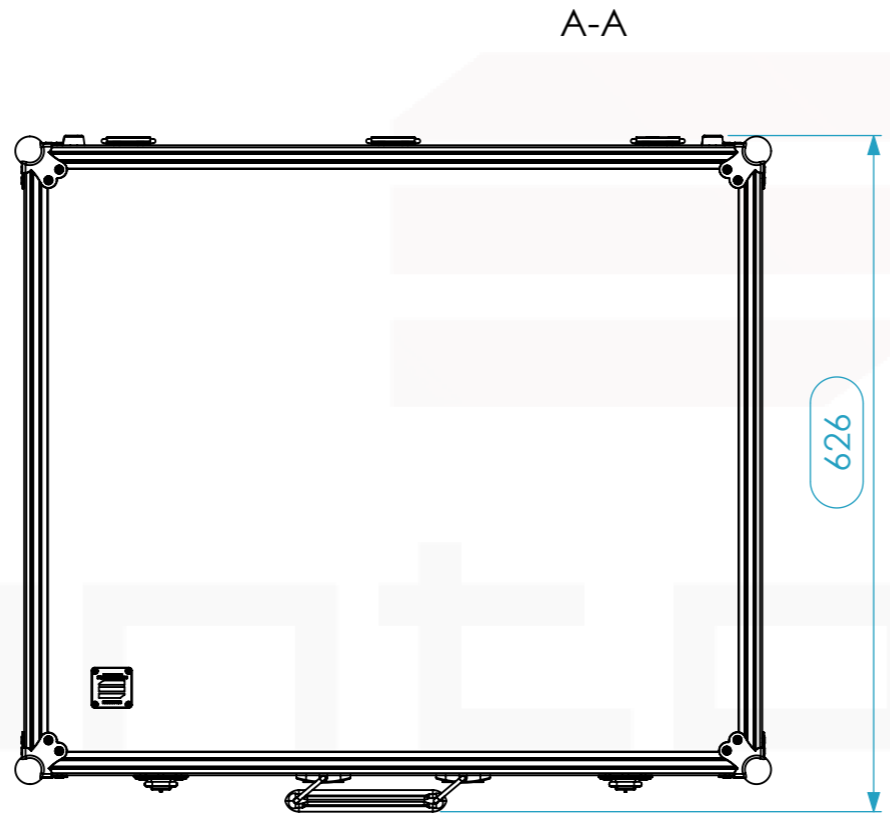
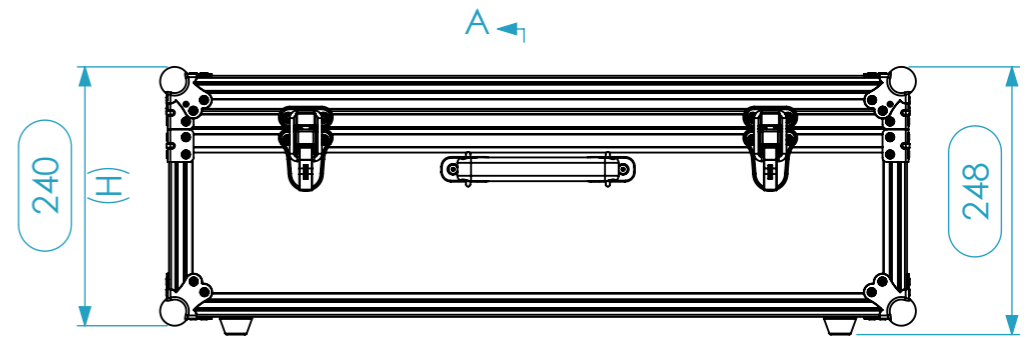
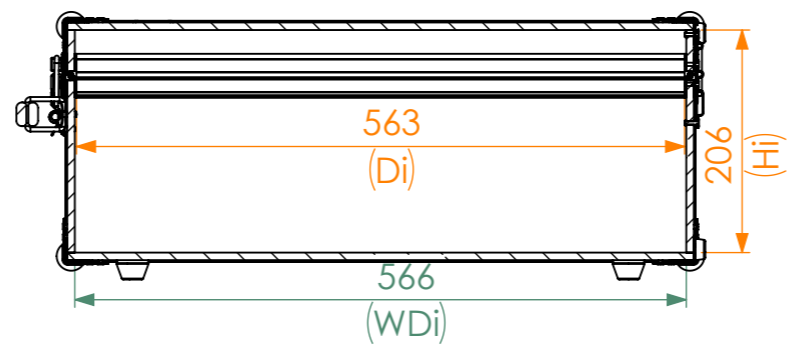


Internal Dimensions		
Width	Depth	Height
663	563	206
Weight	Approx. 6 Kg	
Wall Thickness	7mm	



General External Dimensions		Usable Inner Dimensions (UID)		Wood Inner Dimensions (WID)	
W	Width	Wi	Inside Width	WWi	Wood Inside Width
D	Depth	Di	Inside Depth	WDi	Wood Inside Depth
H	Height	Hi	Inside Height	WHi	Wood Inside Height

B-B	
Name	Date
CarlaSilva	18/06/2020
Reference	S1AA.0706024
Scale	1:7
units in mm	general tolerance 0.8mm
Mala S1 70.60.24 (66x56x20 WID)	



This drawing must not be copied or disclosed without consent of the owner



A3