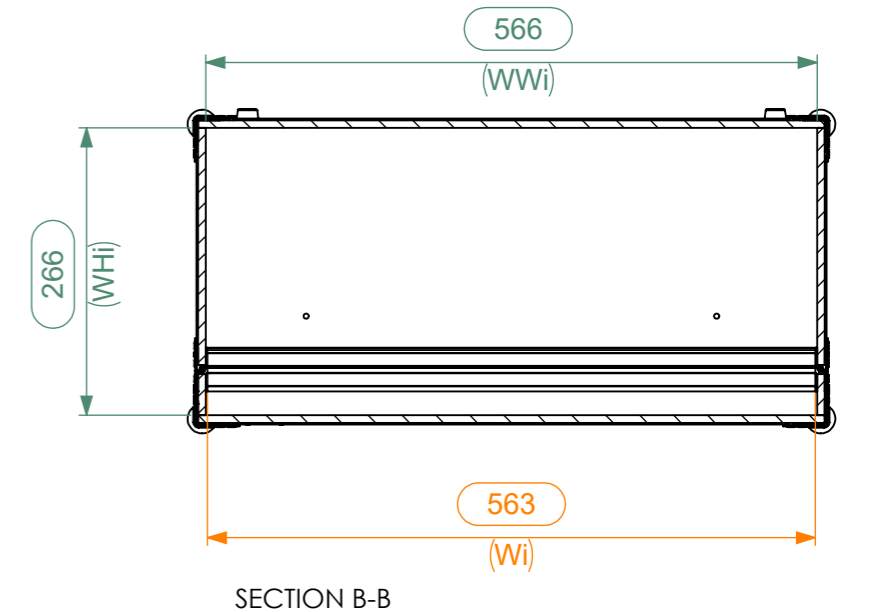
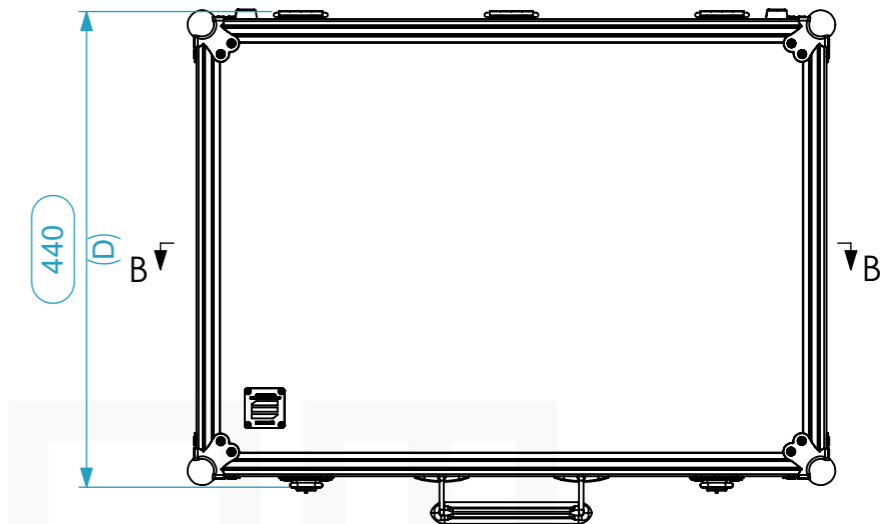
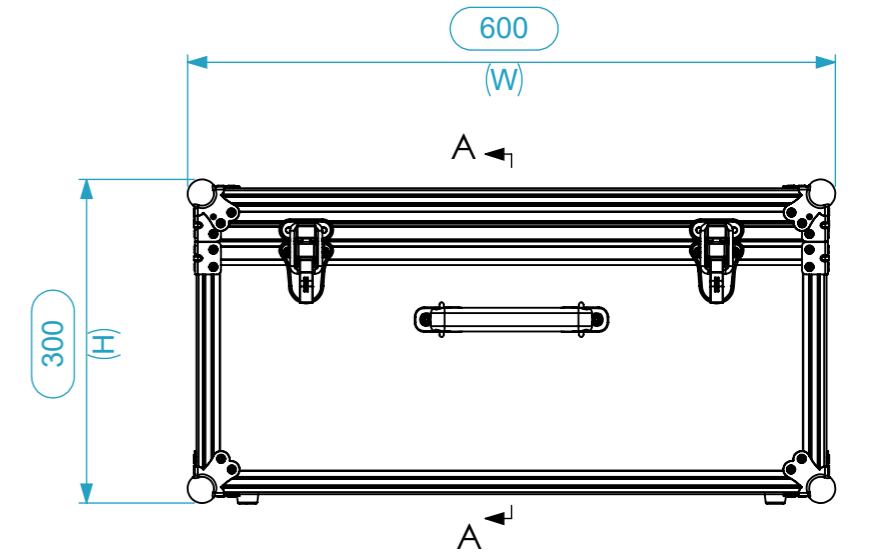
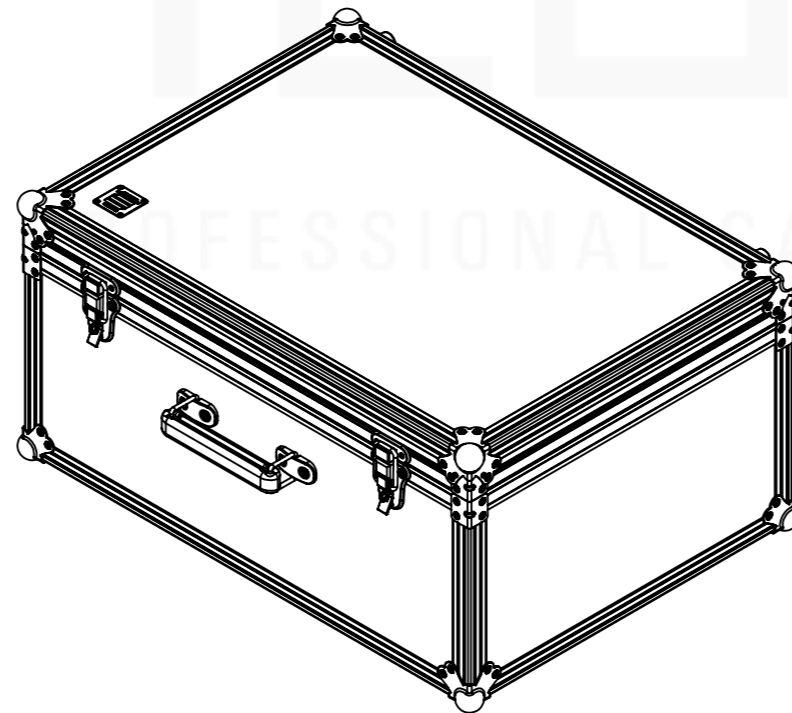
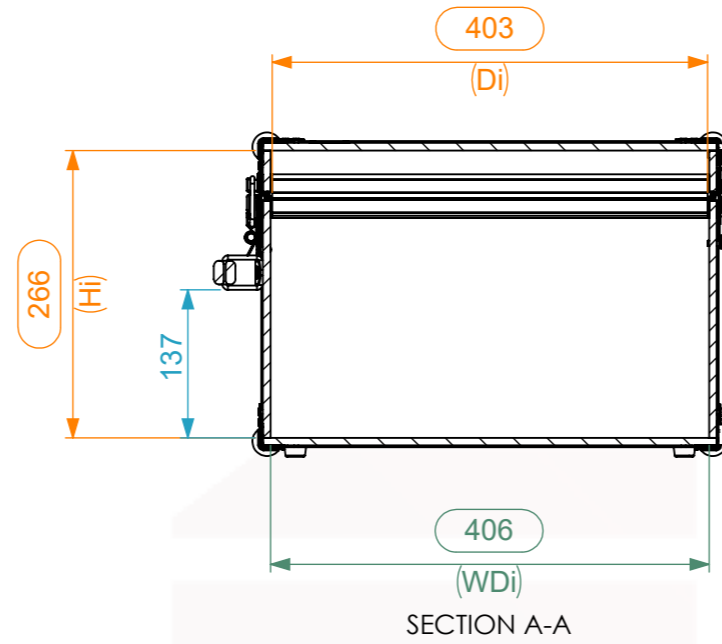
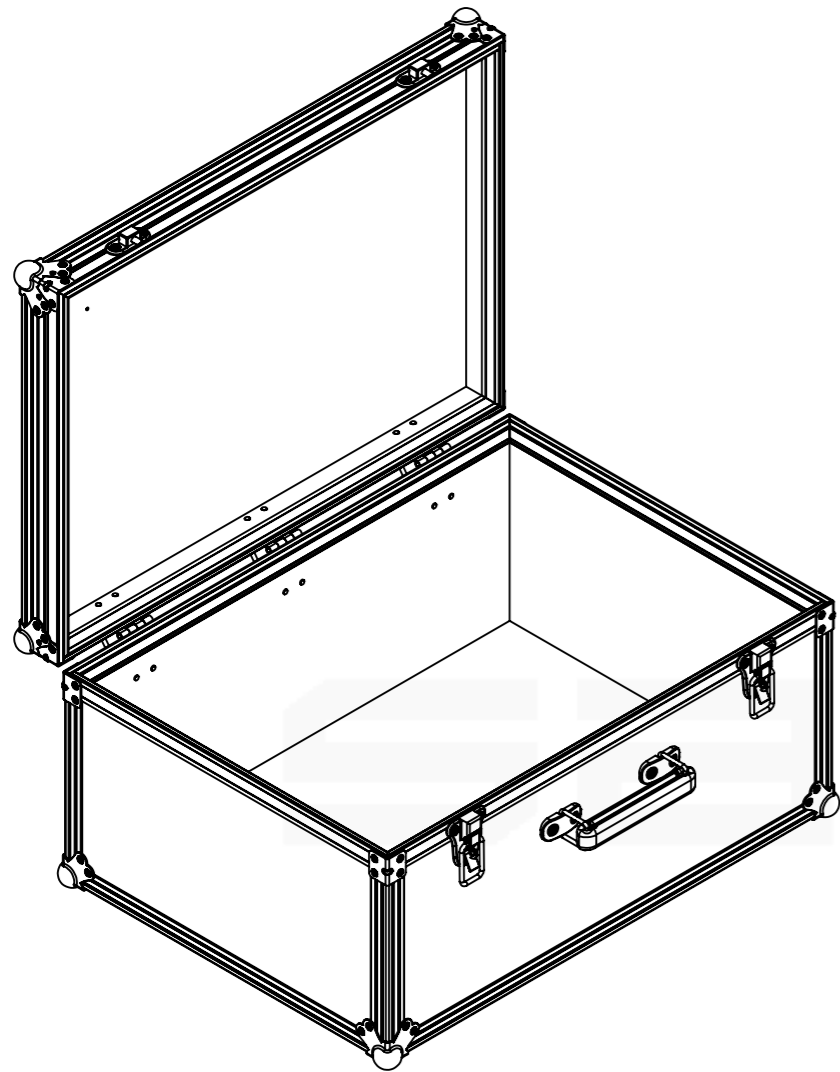


Internal Dimensions		
Width	Depth	Height
563	403	266
Weight	Approx. 5 Kg	
Wall Thickness		7mm



General External Dimensions		Usable Inner Dimensions		Wood Inner Dimensions	
W	Width	Wi	Inside Width	WWi	Wood Inside Width
D	Depth	Di	Inside Depth	WDi	Wood Inside Depth
H	Height	Hi	Inside Height	WHi	Wood Inside Height

This drawing must not be copied or disclosed without consent of the owner

Drawn by	Name	Date
CarlaSilva	CarlaSilva	14/10/2024
Reference	S1AA.0604430	
Scale	units in mm	general tolerance
1:7	DO NOT SCALE	0.8mm
1st Angle projection	Mala S1 60.44.30 (56x40x26 WID)	



A3