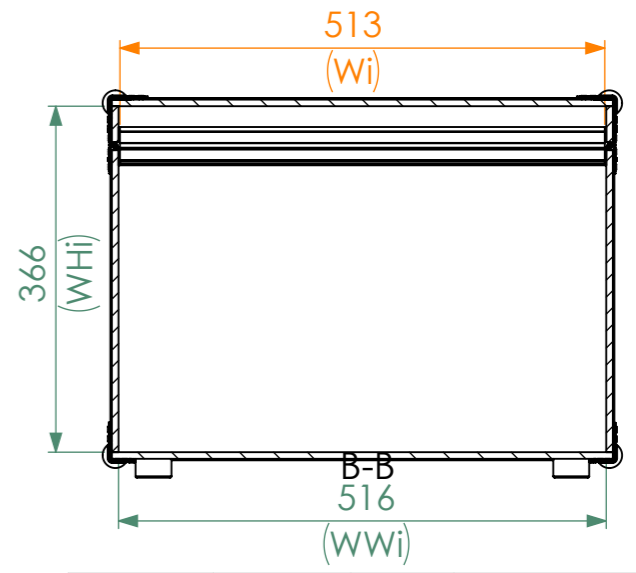
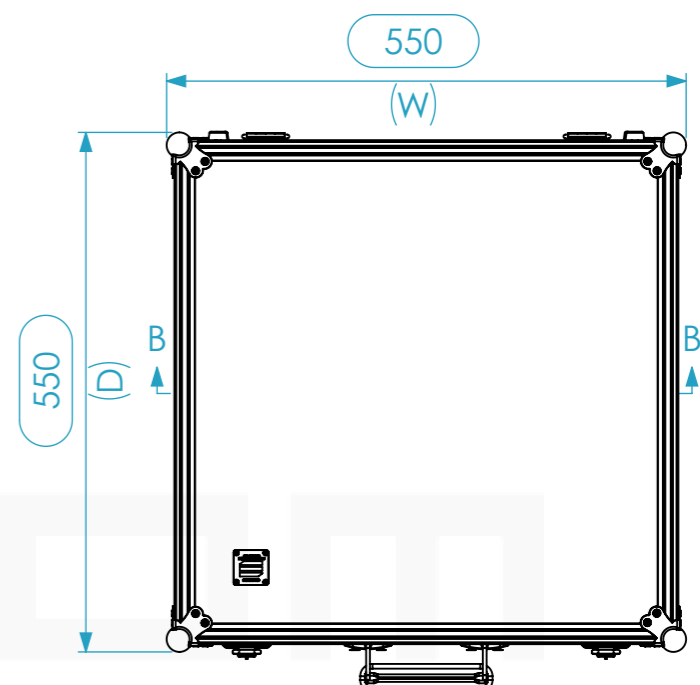
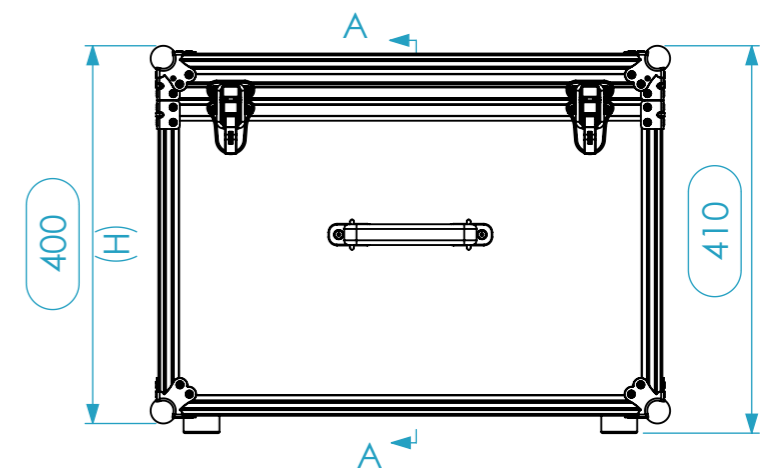
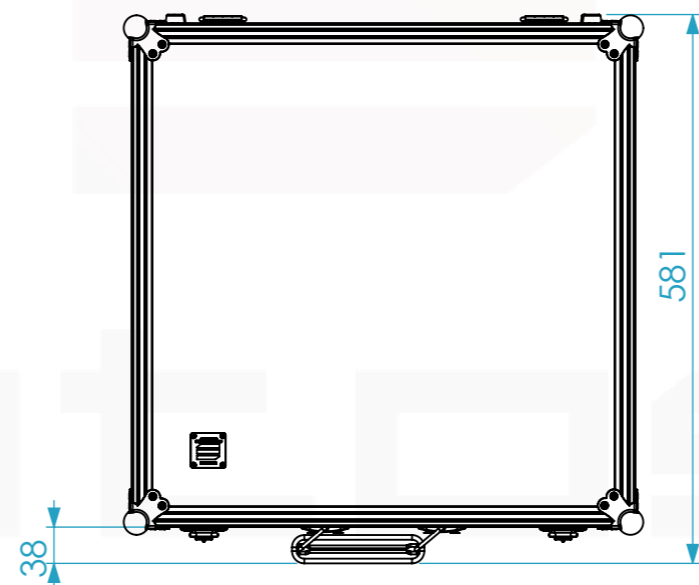
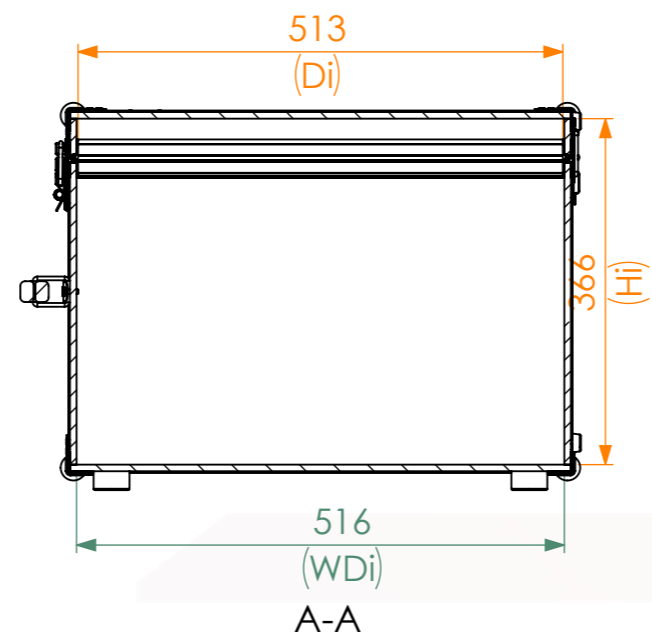
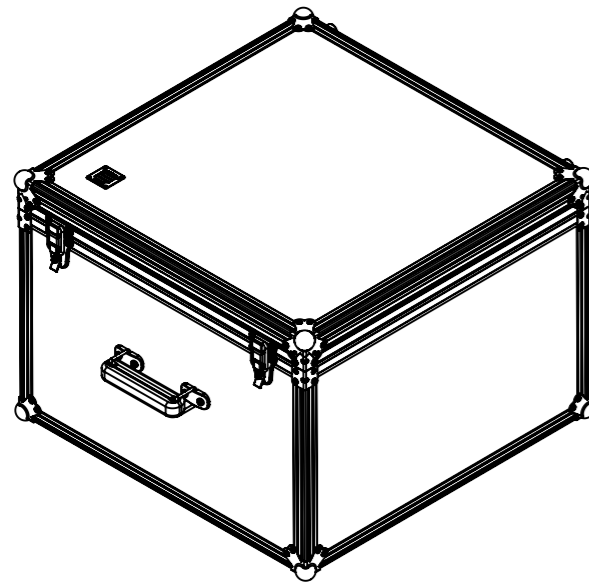
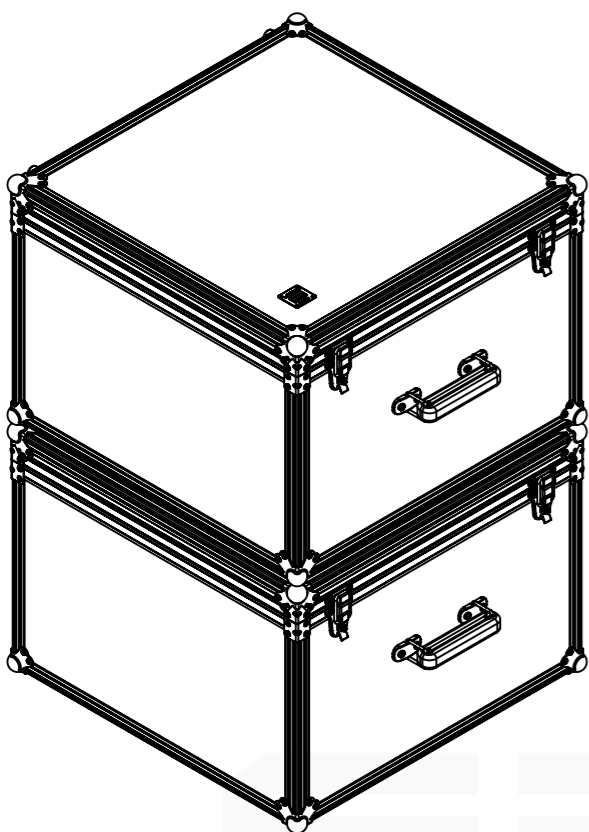


Internal Dimensions		
Width	Depth	Height
513	513	366
Weight	Approx. 6 Kg	
Wall Thickness	7mm	



General External Dimensions		Usable Inner Dimensions (UID)		Wood Inner Dimensions (WID)	
W	Width	Wi	Inside Width	WWi	Wood Inside Width
D	Depth	Di	Inside Depth	WDi	Wood Inside Depth
H	Height	Hi	Inside Height	WHi	Wood Inside Height

Name	Date	
Drawn by	CarlaSilva	13/07/2018
Reference	S1AA.055540	
Scale	1:8	units in mm
DO NOT SCALE		general tolerance 0.8mm
FC S1AA, 513X513X366 mm		



This drawing must not be copied or disclosed without consent of the owner

1st Angle projection

A3