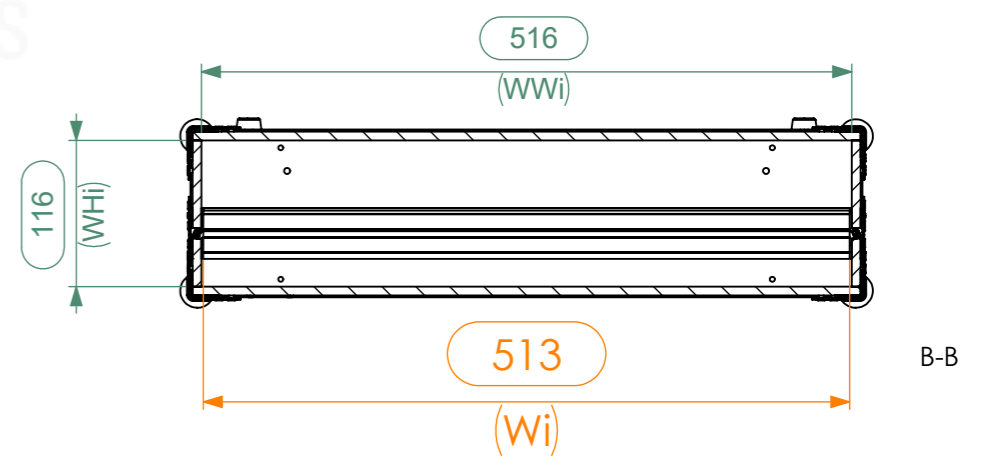
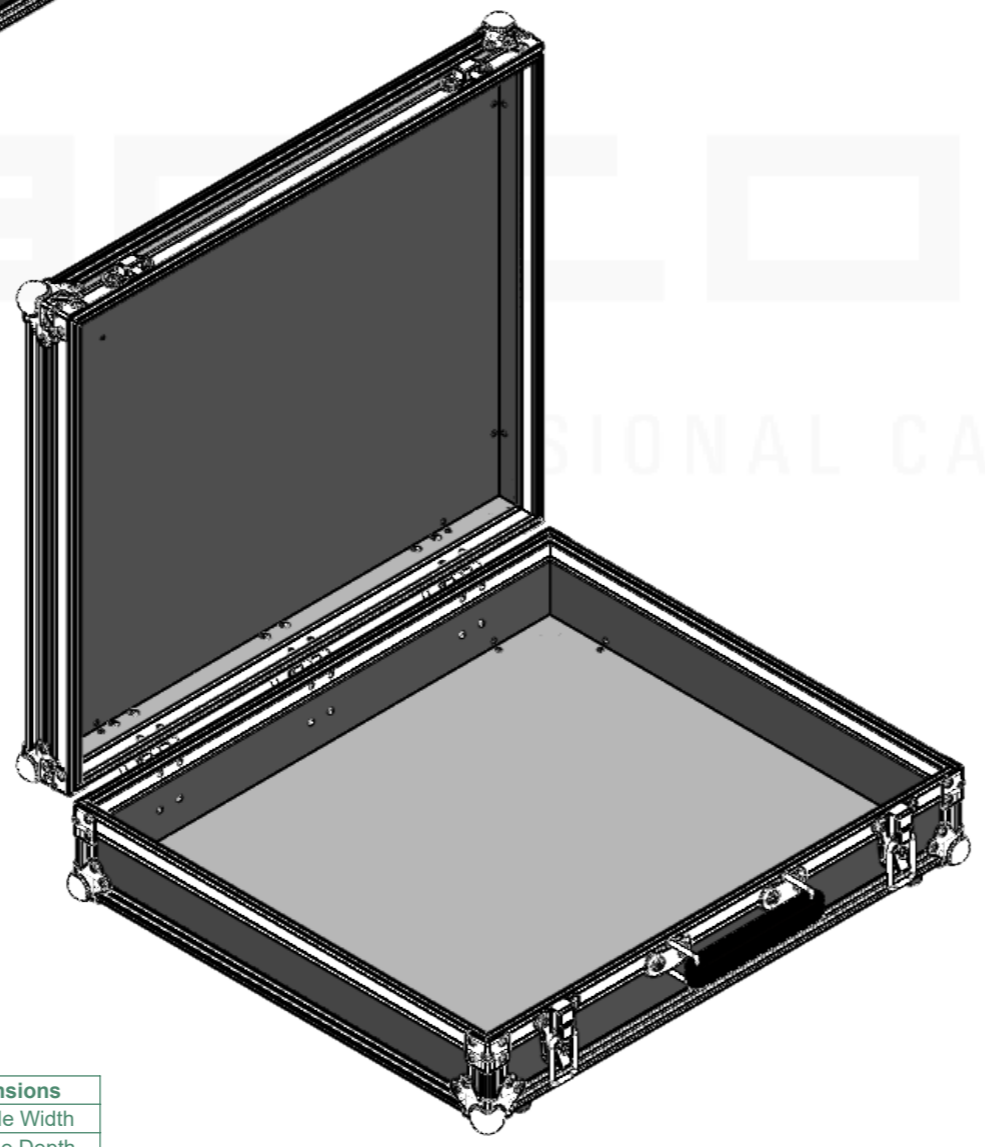
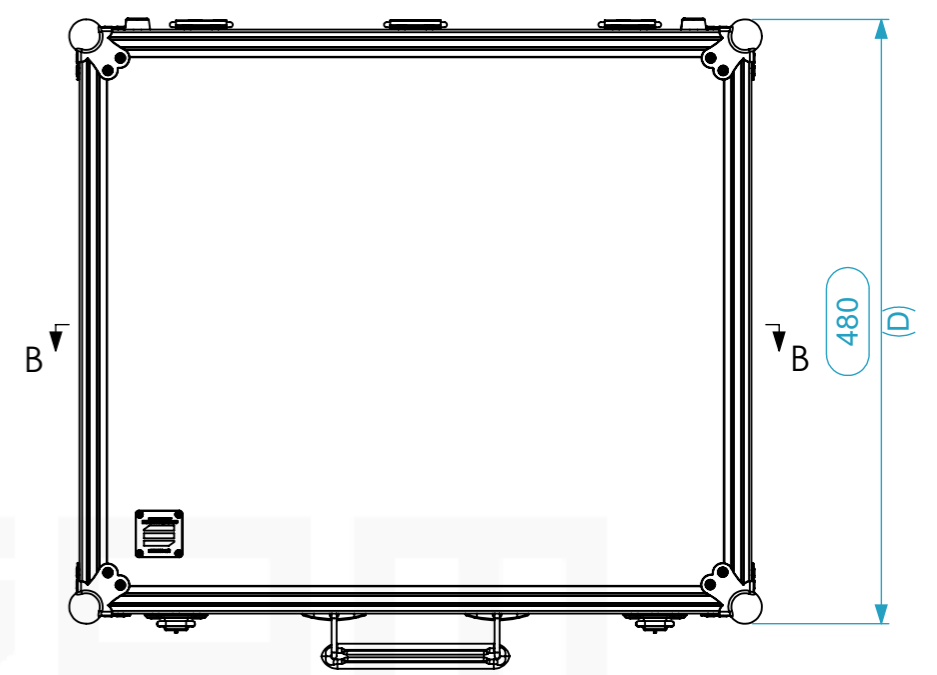
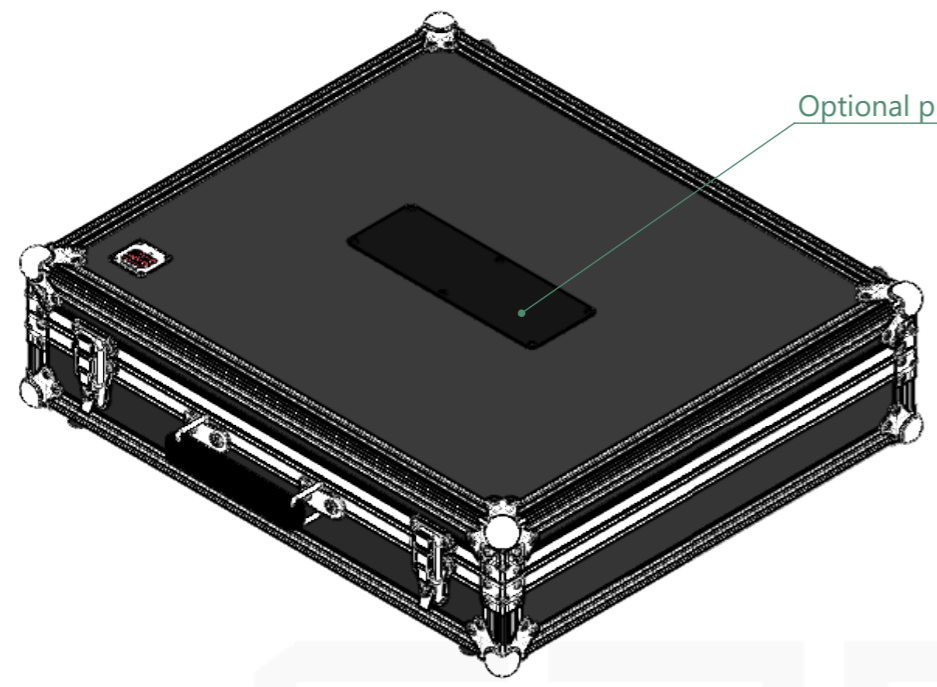
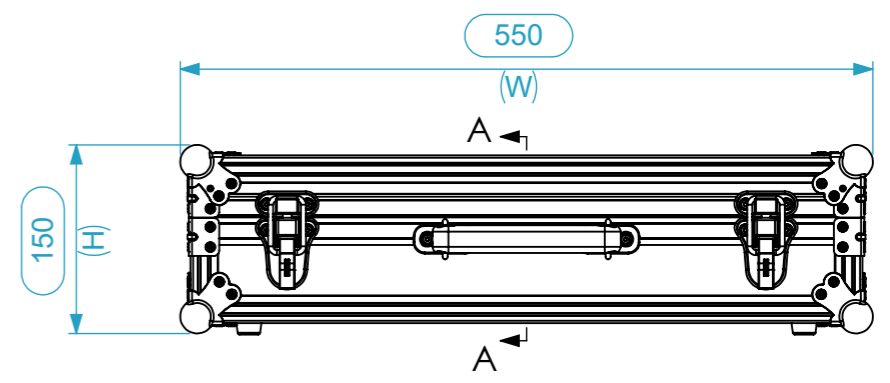
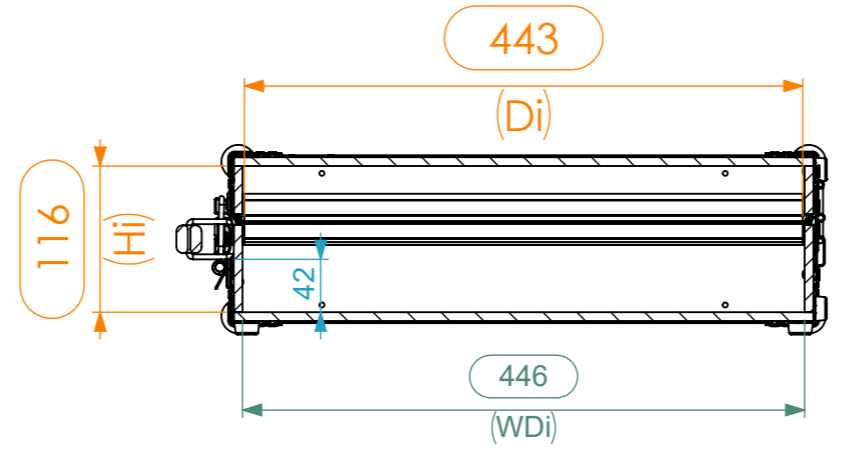


Internal Dimensions		
Width	Depth	Height
513	443	116
Weight	Approx. 3 Kg	
Wall Thickness	7mm	



General External Dimensions		Usable Inner Dimensions		Wood Inner Dimensions	
W	Width	Wi	Inside Width	WWi	Wood Inside Width
D	Depth	Di	Inside Depth	WDi	Wood Inside Depth
H	Height	Hi	Inside Height	WHi	Wood Inside Height

Drawn by	Name	Date
projects		17/03/2025
Reference	S1AA.0483018	
Scale	units in mm	general tolerance
1:5	DO NOT SCALE	0.8mm
Mala S1 48.30.18 (44x26x14 WID)		



This drawing must not be copied or disclosed without consent of the owner



A3