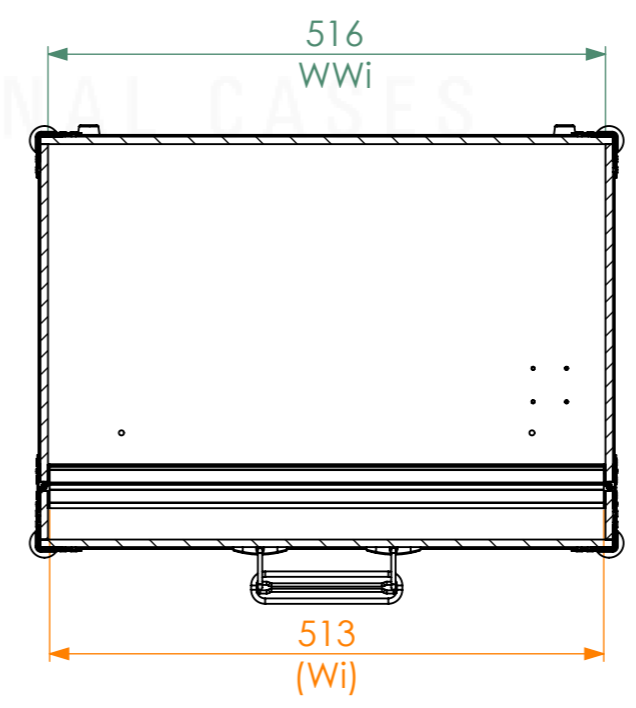
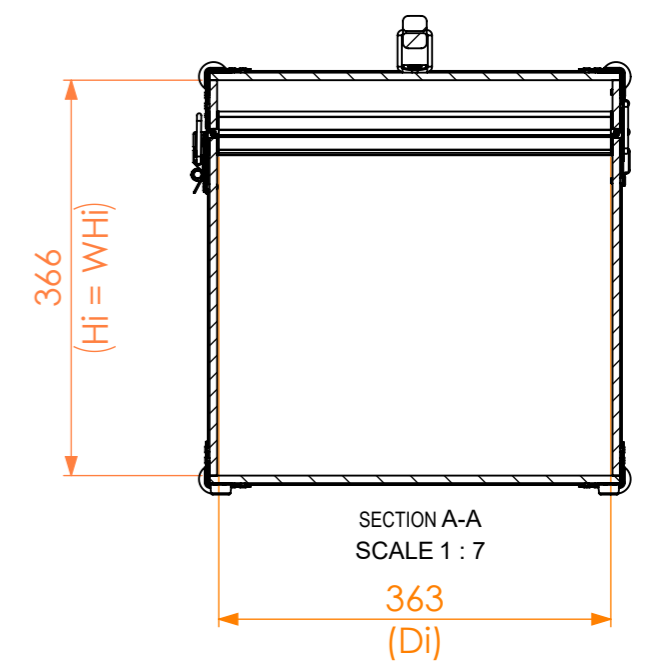
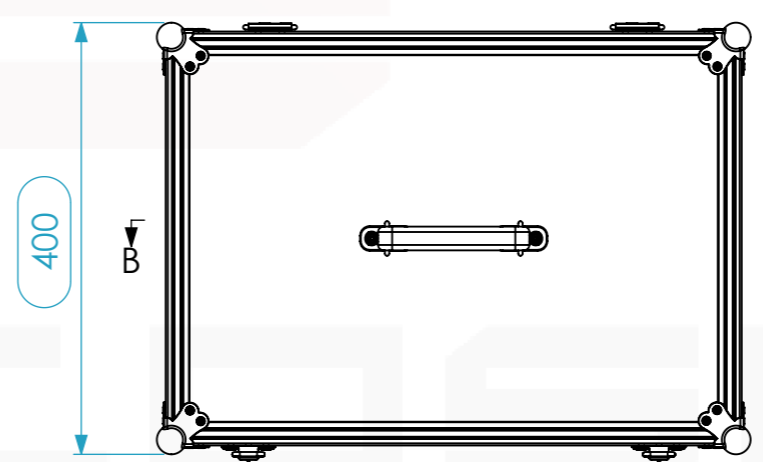
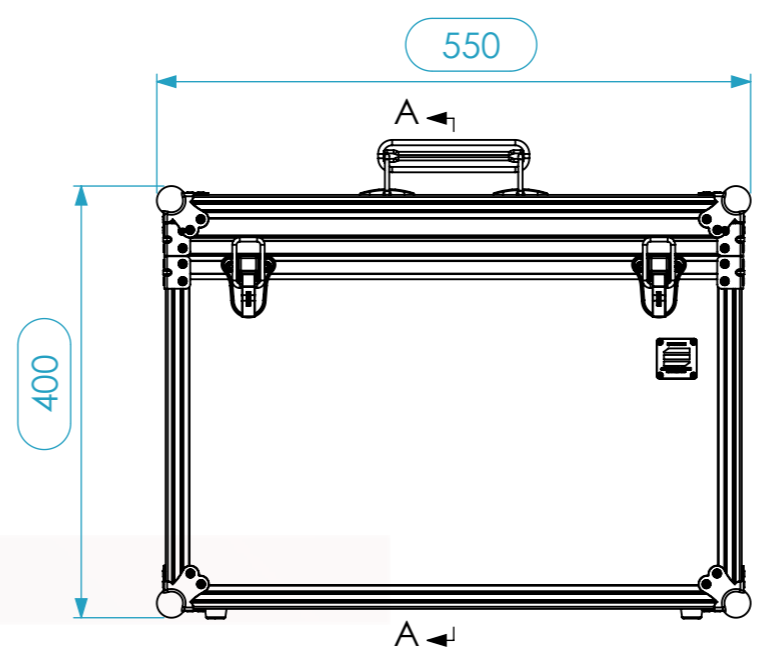
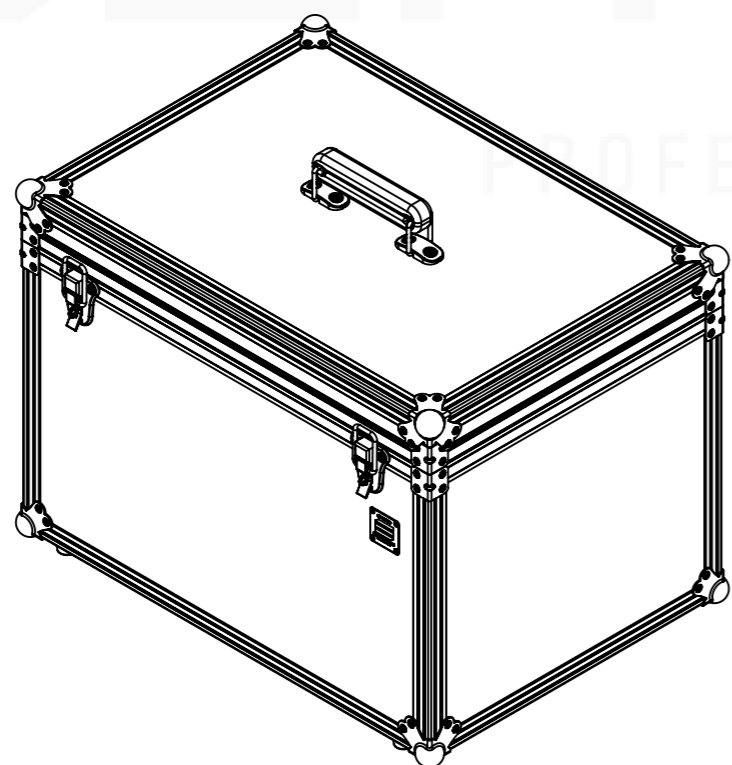
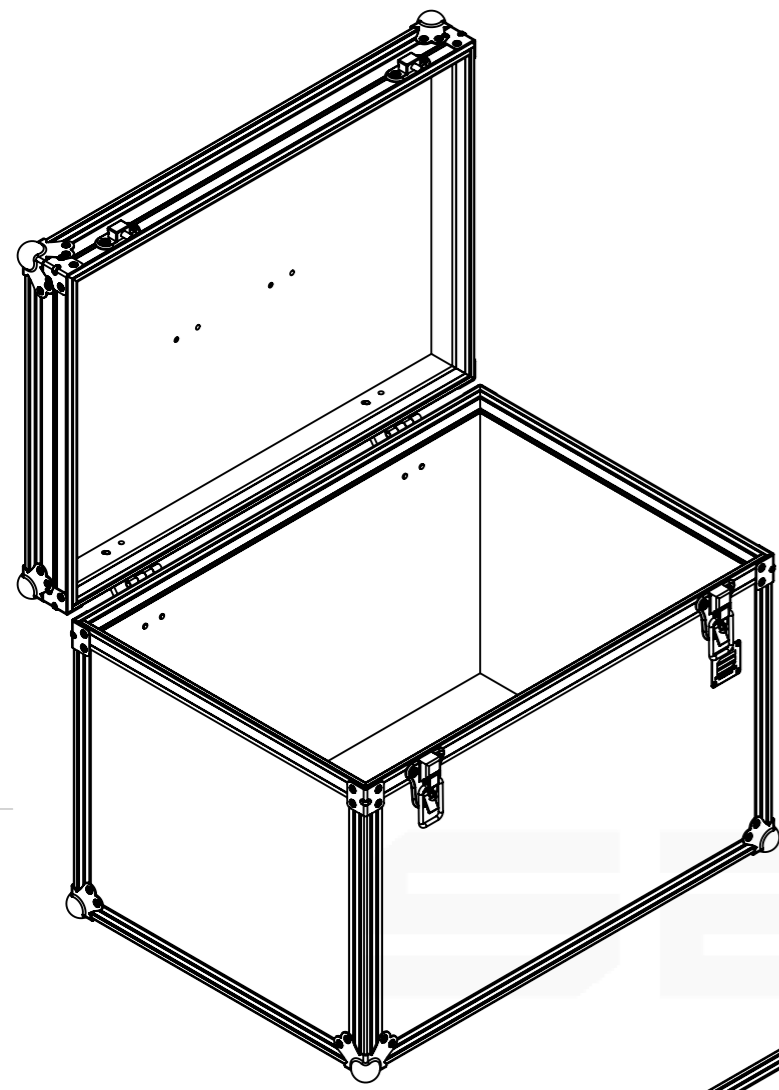


Internal Dimensions		
Width	Depth	Height
513	363	366
Weight	Approx. 6 Kg	
Wall Thickness	7mm	



General External Dimensions		Usable Inner Dimensions		Wood Inner Dimensions	
W	Width	Wi	Inside Width	WWi	Wood Inside Width
D	Depth	Di	Inside Depth	WDi	Wood Inside Depth
H	Height	Hi	Inside Height	WHi	Wood Inside Height

Name	Date
projects	27/10/2022
Reference	S1AA.0554040
Scale	1:7
units in mm	general tolerance 0.8mm
DO NOT SCALE	Mala STD, 513x363x366



This drawing must not be copied or disclosed without consent of the owner

A3

