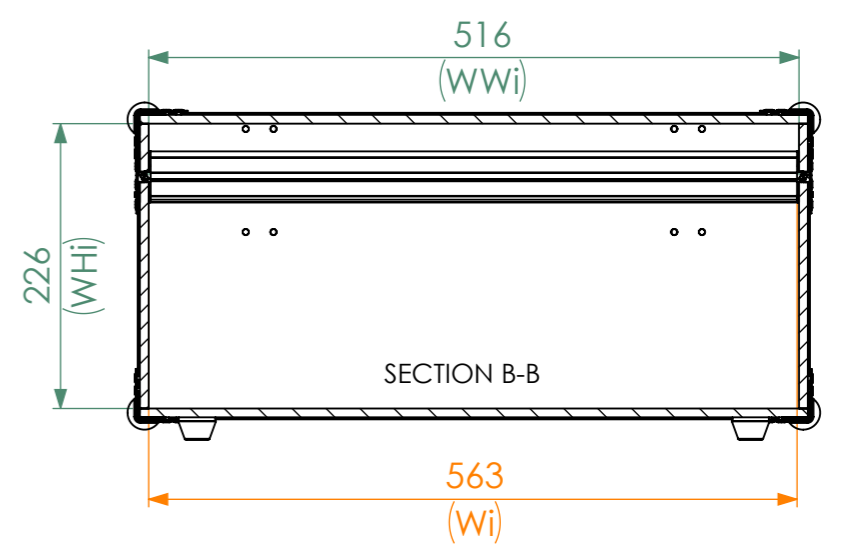
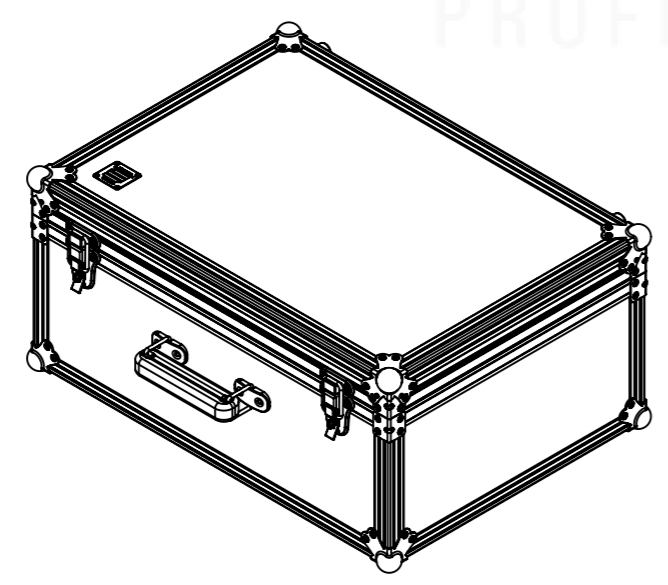
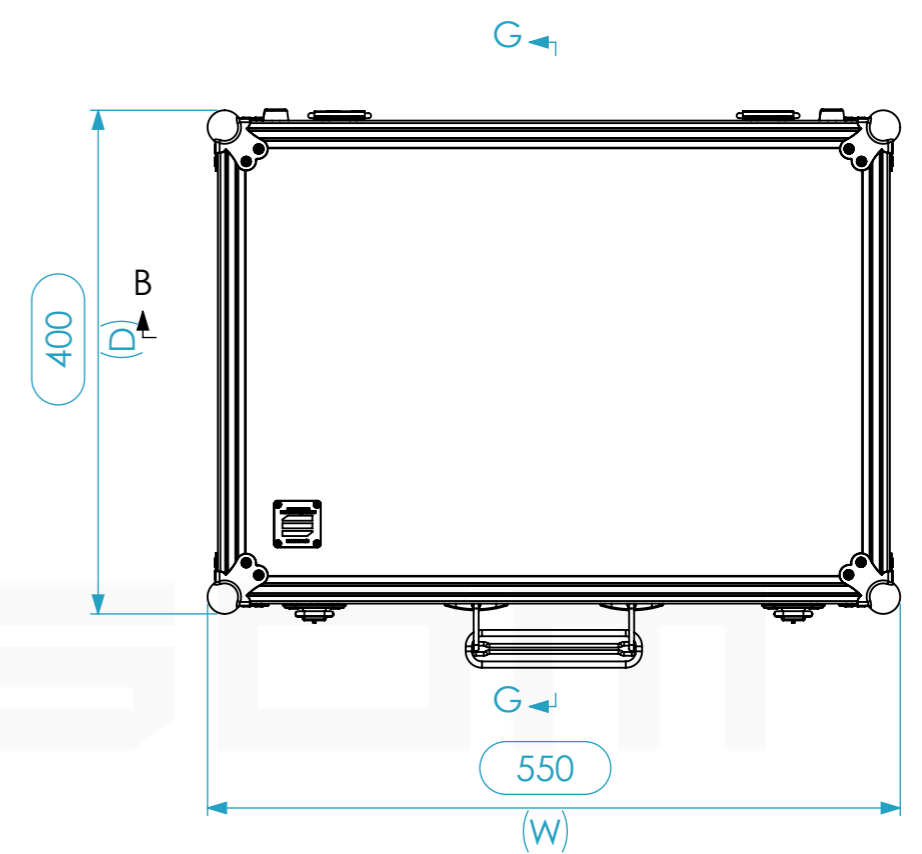
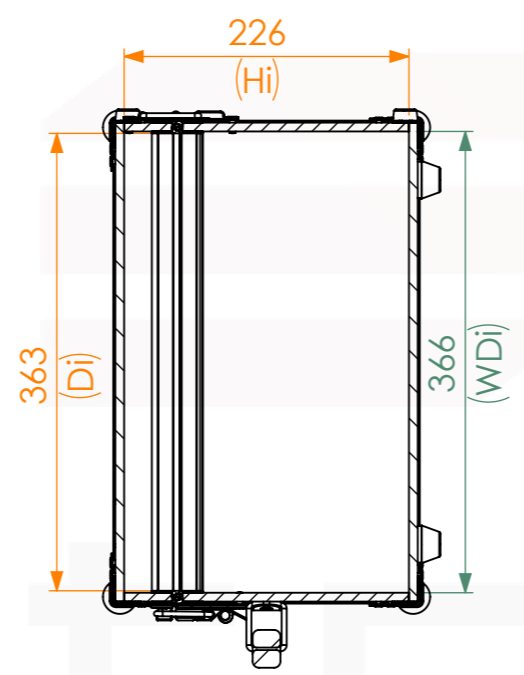
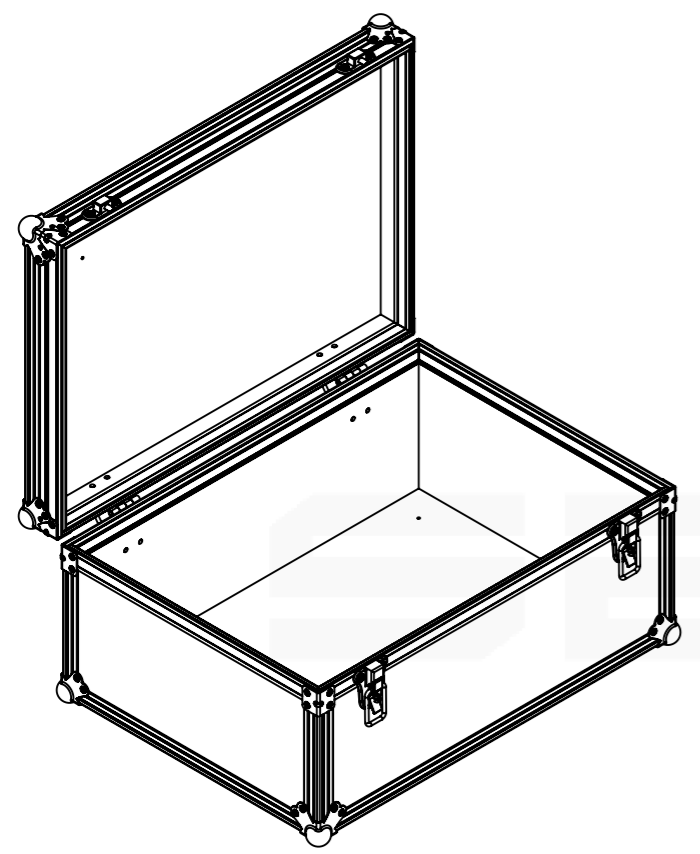
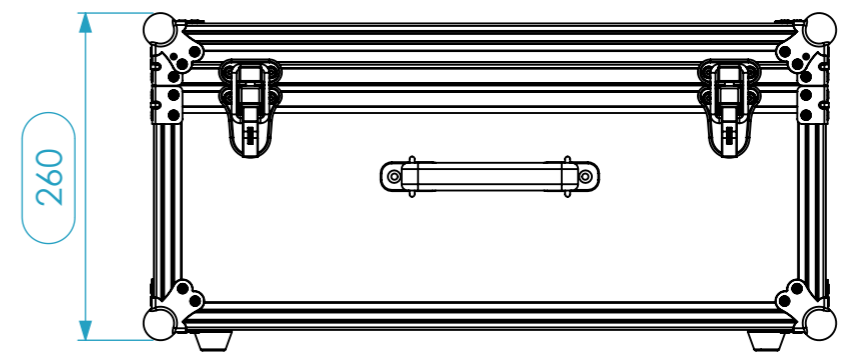
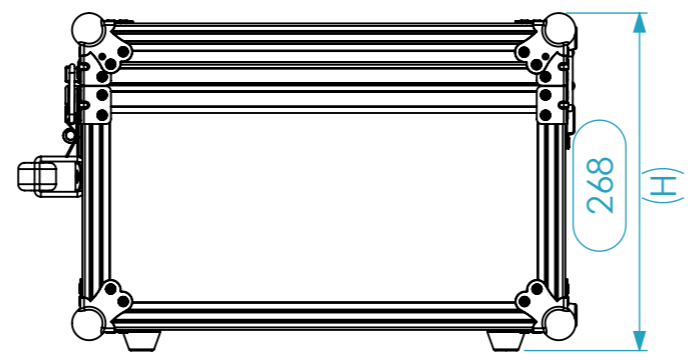


Internal Dimensions		
Width	Depth	Height
513	363	223
Weight	Approx. 5 Kg	
Wall Thickness		7mm



General External Dimensions		Usable Inner Dimensions		Wood Inner Dimensions	
W	Width	Wi	Inside Width	WWi	Wood Inside Width
D	Depth	Di	Inside Depth	WDi	Wood Inside Depth
H	Height	Hi	Inside Height	WHi	Wood Inside Height

This drawing must not be copied or disclosed without consent of the owner



Scale 1:6  
units in mm  
DO NOT SCALE  
general tolerance 0.8mm

Drawn by	Name	Date
CarlaSilva	CarlaSilva	27/05/2019
Reference	S1AA.0554026	



A3

Mala STD 513x363x226