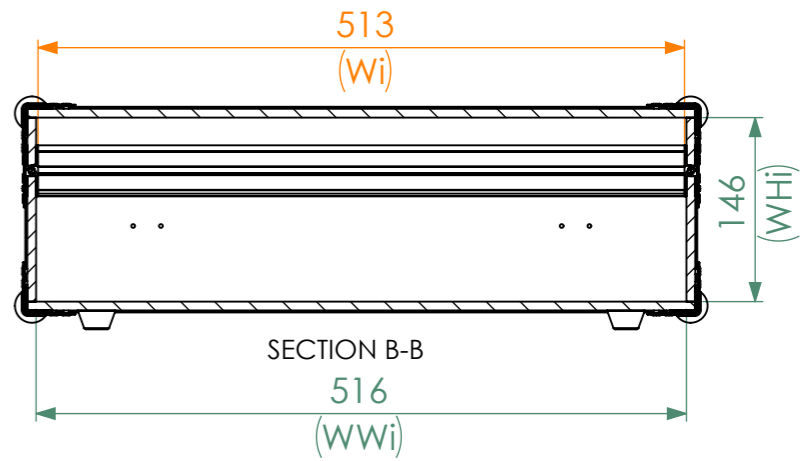
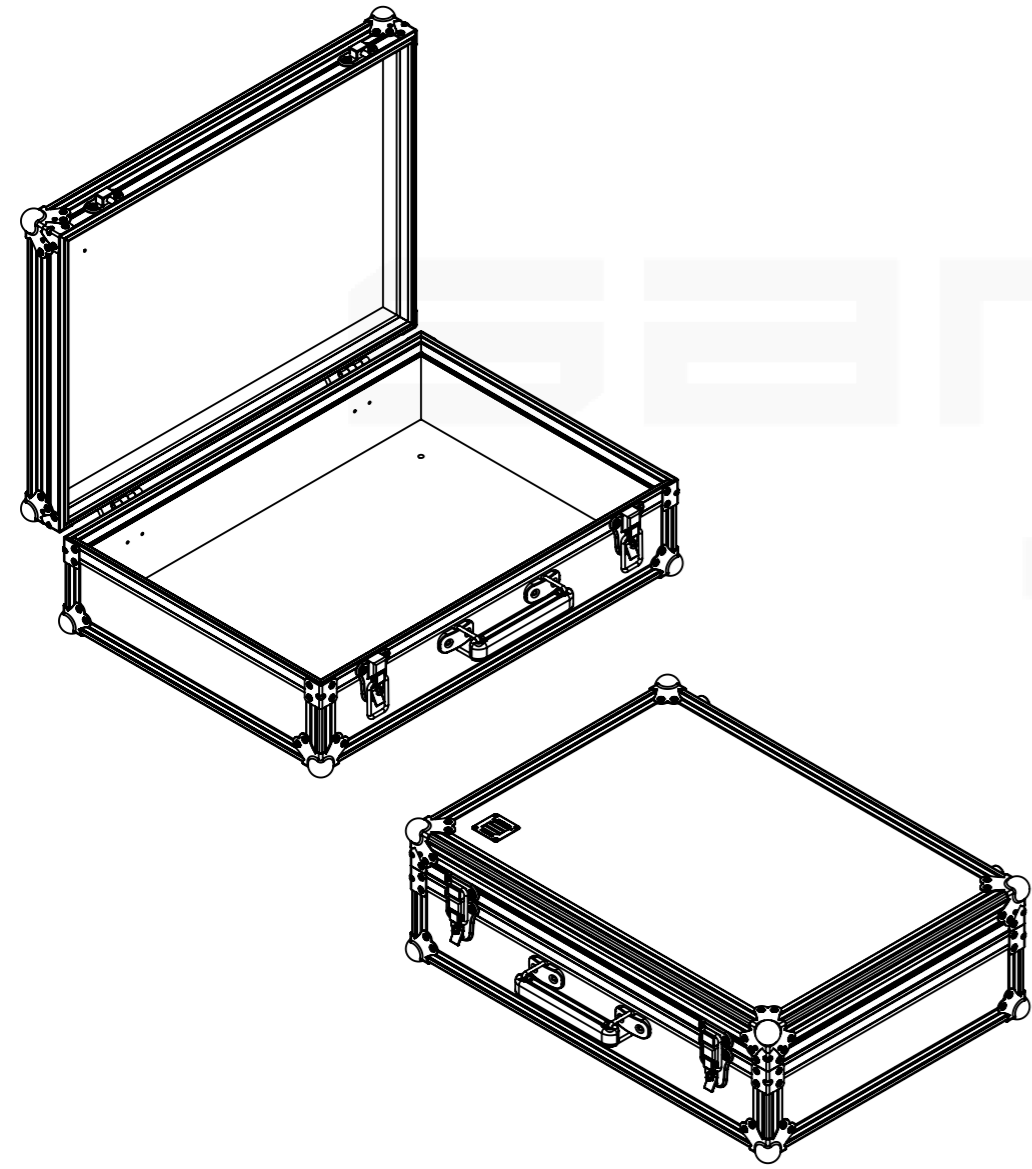
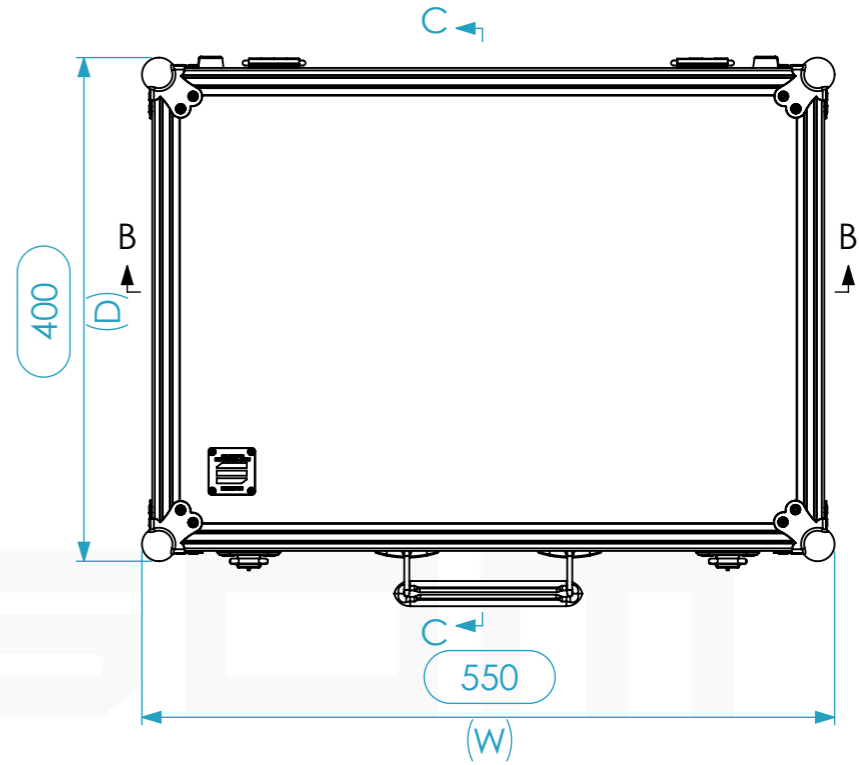
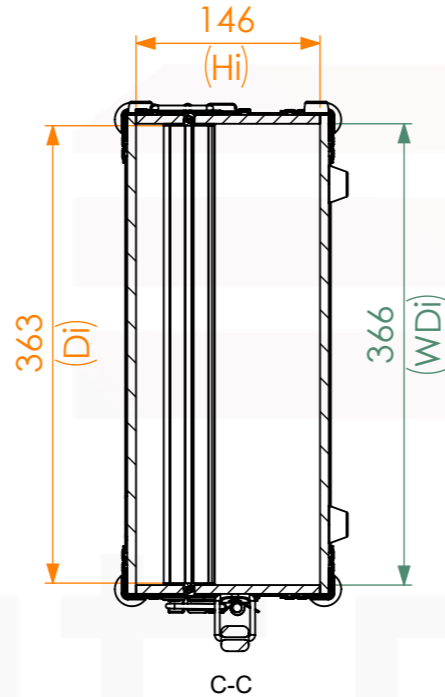
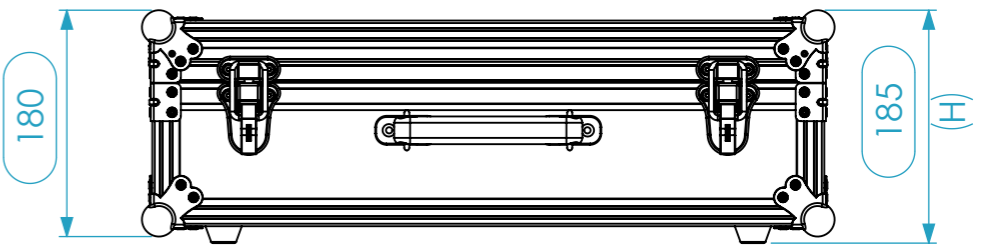


Internal Dimensions		
Width	Depth	Height
513	363	143
Weight	Approx. 4 Kg	
Wall Thickness	7mm	



General External Dimensions		Usable Inner Dimensions (UID)		Wood Inner Dimensions (WID)	
W	Width	Wi	Inside Width	WWi	Wood Inside Width
D	Depth	Di	Inside Depth	WDi	Wood Inside Depth
H	Height	Hi	Inside Height	WHi	Wood Inside Height

This drawing must not be copied or disclosed without consent of the owner

Drawn by	CatarinaHenriques 30/08/2018	Name	Date
Reference	S1AA.0554018	Scale	1:6
units in mm		general tolerance 0.8mm	
DO NOT SCALE		BRIEFCASE S1 55.40.18 (51X36X14 WID)	