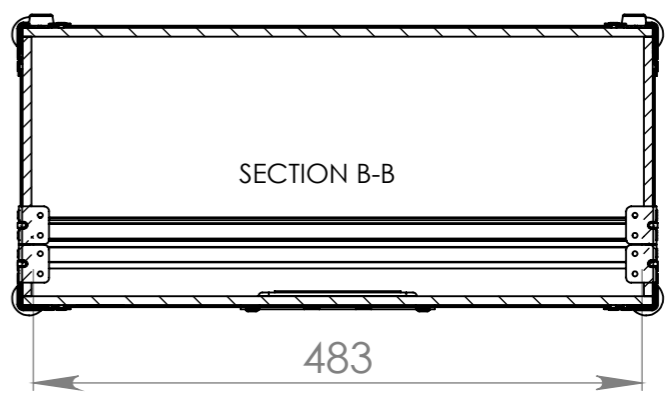
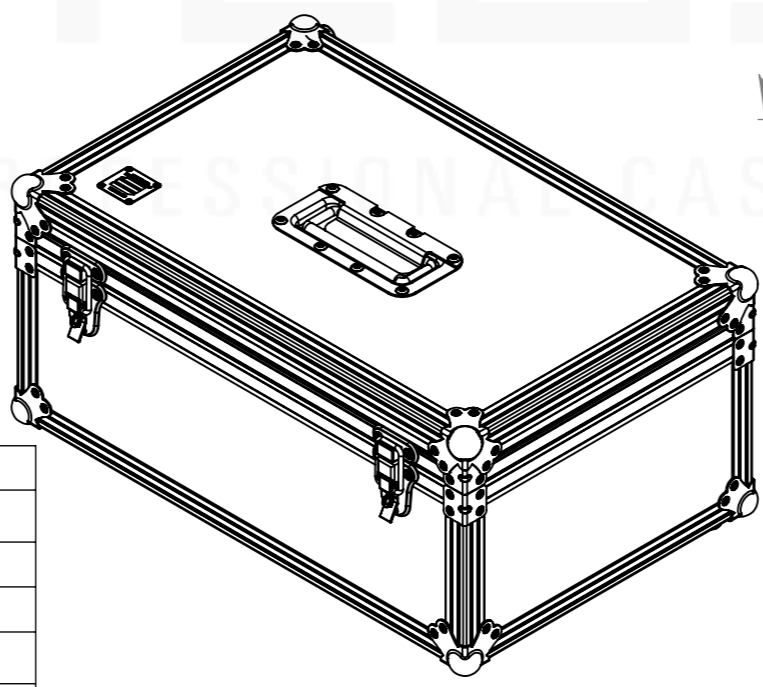
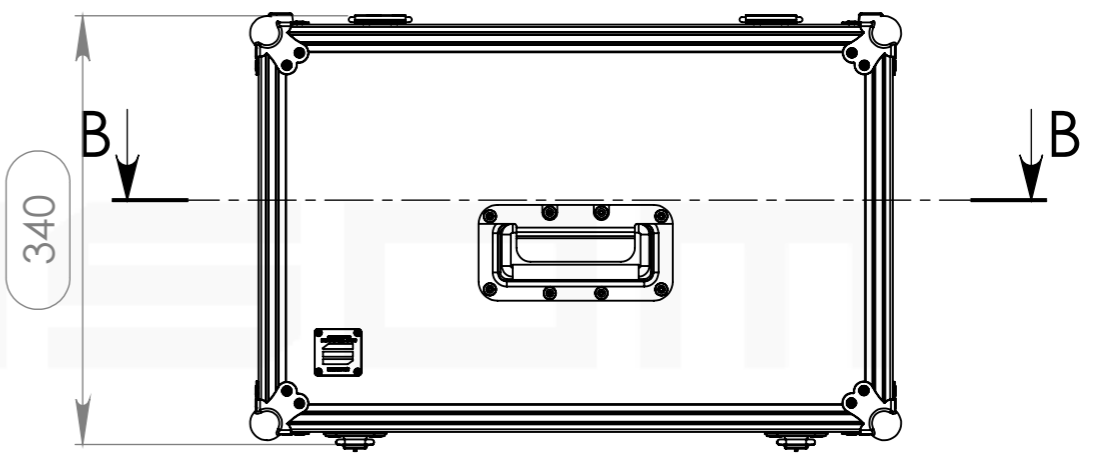
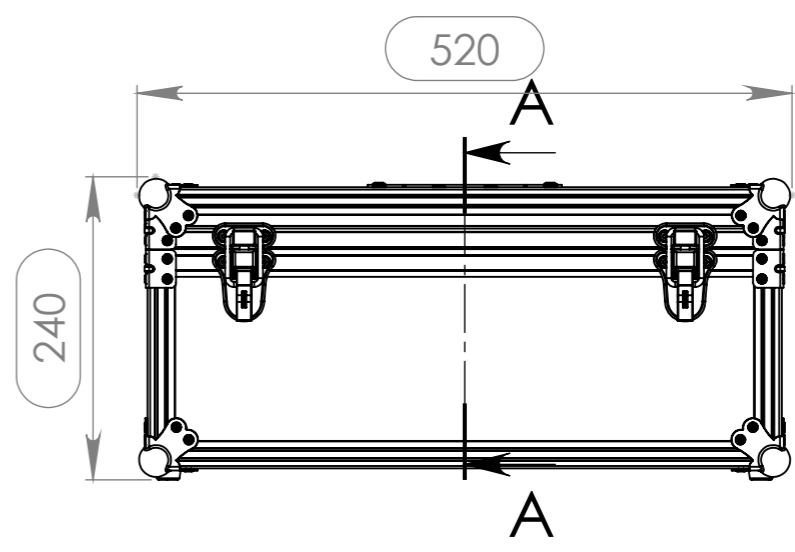
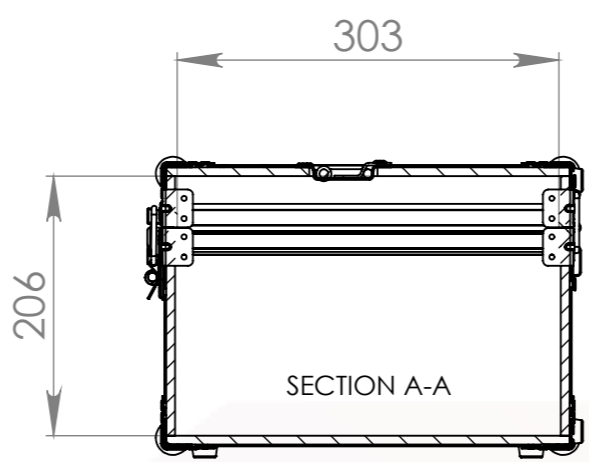
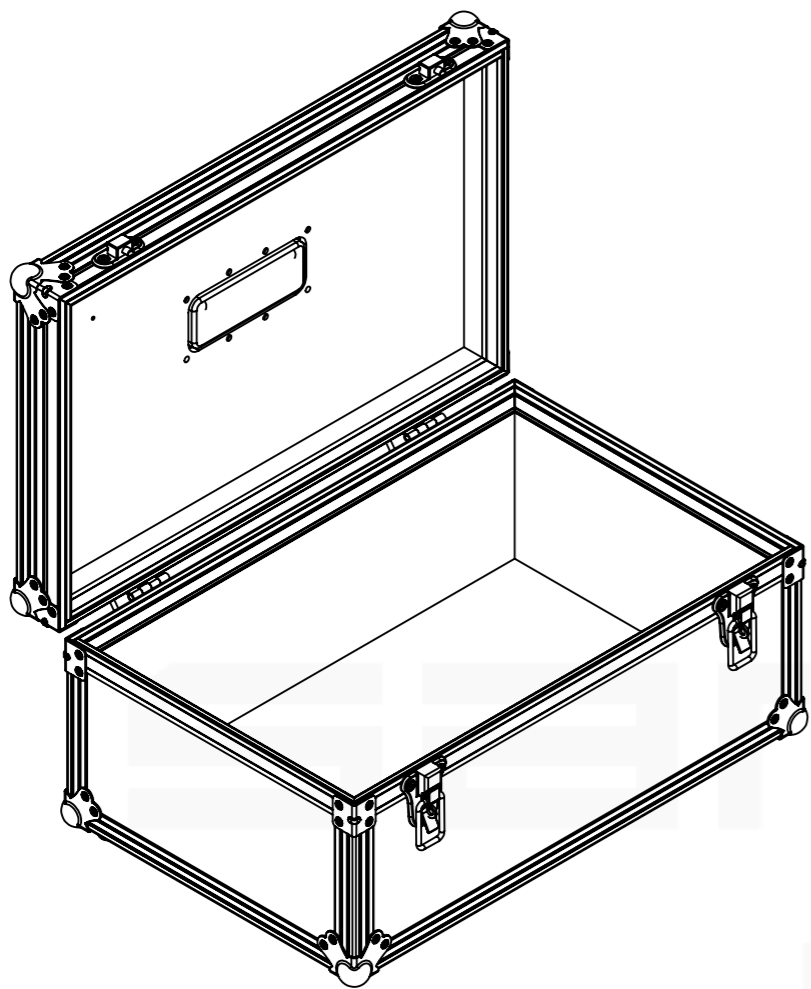



Internal Dimensions		
Width	Depth	Height
483	303	206
Weight	Approx. 4 Kg	
Wall Thickness	7mm	



Hardware		
Qty	Ref.	Description
1	CHAPA.1001	Identification Plate
8	4903	Rubber foot 20 x 9 mm, black
4	40407	Medium corner-brace zinc plated 1,0mm
2	16021	Large padlocking drawbolt
2	2524	HEAVY DUTY STRUT HINGE WITH BLACK PLATE
4	40407	Medium corner-brace zinc plated 1,0mm
8	C1345Z	Small ball corner - 3 leg - zinc plated
1	340822	Recessed sprung handle - Small

A3	This drawing must not be copied or disclosed without consent of the owner	1st Angle projection	Scale 1:6	units in mm DO NOT SCALE	general tolerance 0.8mm
		SMALLCASE S1 483X303X206 INTERIORES		 <small>PROFESSIONAL CASES</small>	