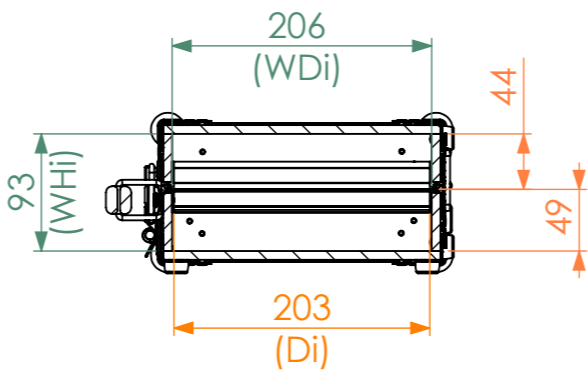
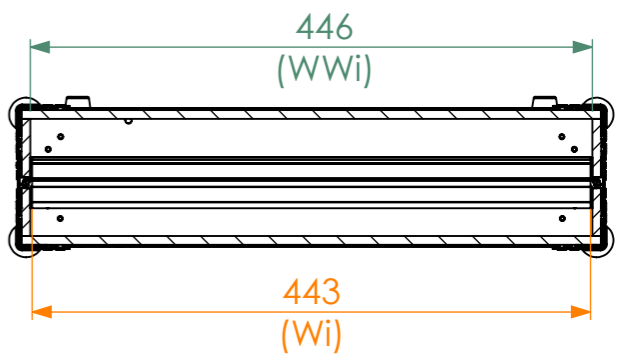
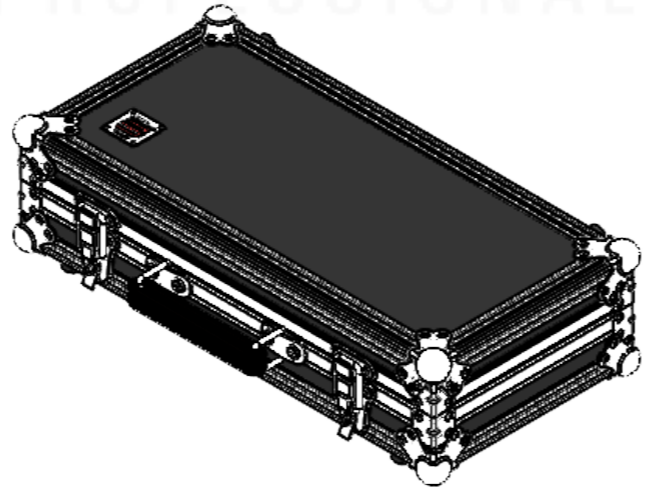
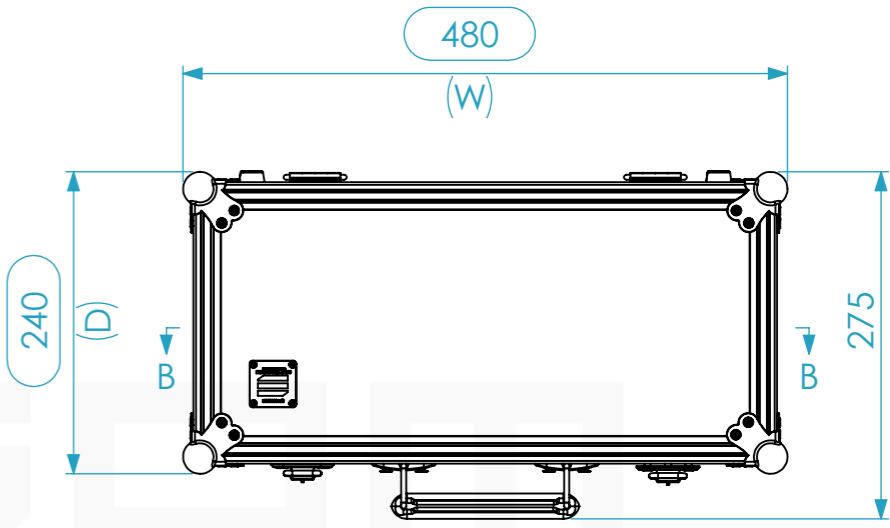
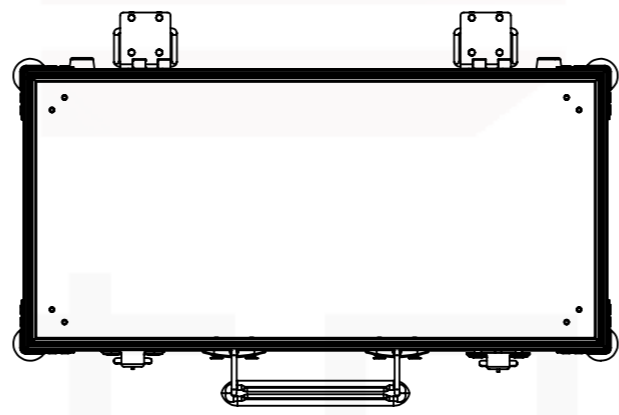
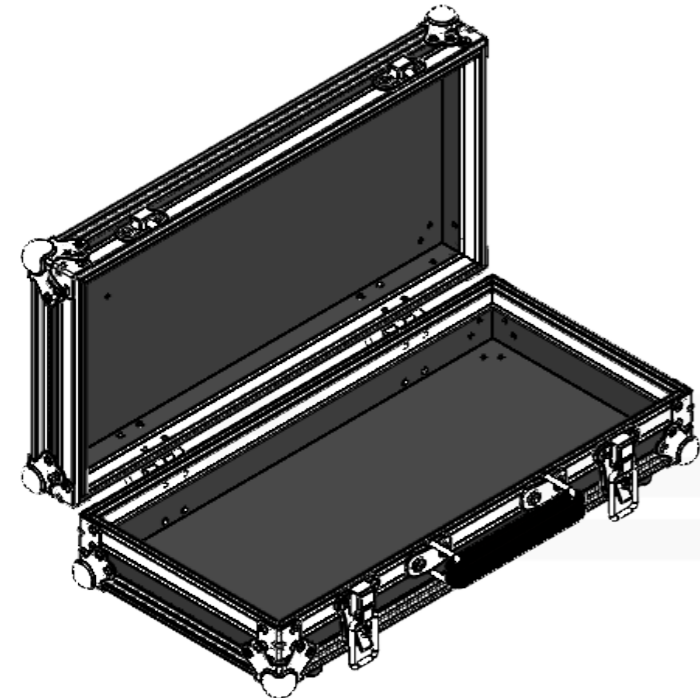
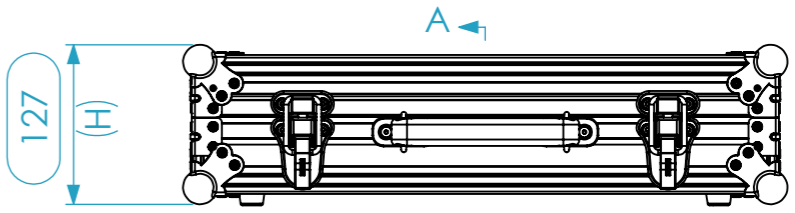


Internal Dimensions		
Width	Depth	Height
443	203	93
Weight	Approx. 3 Kg	
Wall Thickness	7mm	



SECTION A-A  
SCALE 1 : 6



SECTION B-B  
SCALE 1 : 6

Wood Inner Dimensions		Usable Inner Dimensions		General External Dimensions	
WWi	Wood Inside Width	Wi	Inside Width	W	Width
WDi	Wood Inside Depth	Di	Inside Depth	D	Depth
WHi	Wood Inside Height	Hi	Inside Height	H	Height

A3 This drawing must not be copied or disclosed without consent of the owner

Drawn by	Name	Date
tiago.pais	tiago.pais	06/05/2026
Reference	S1AA.0482413	
Scale	units in mm	general tolerance
1:4	DO NOT SCALE	0.8mm
Mala STD, 446x206x96mm		

