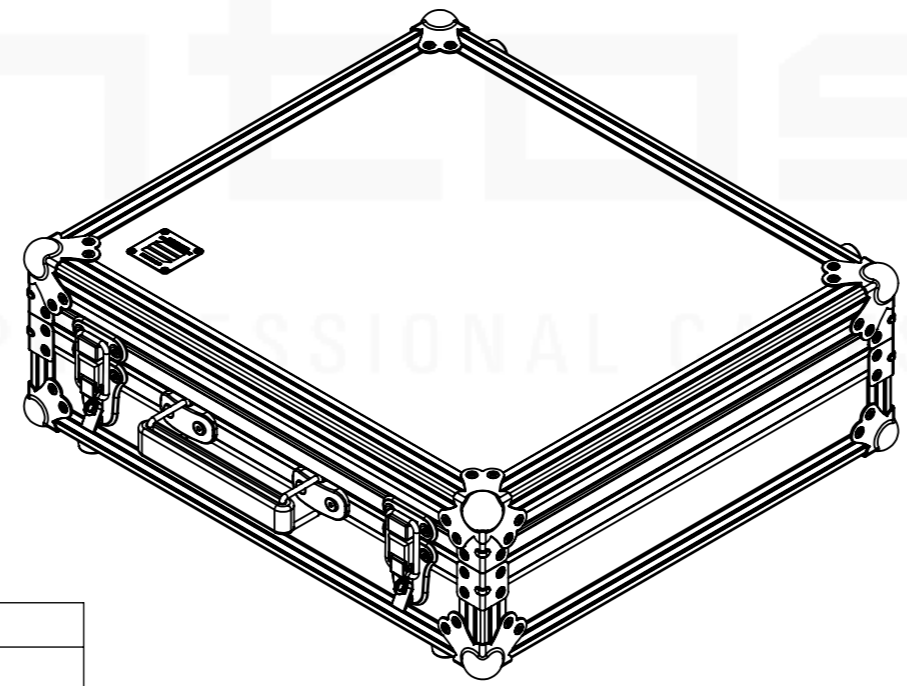
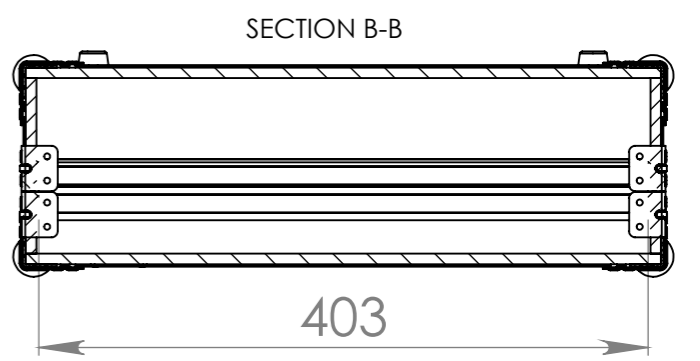
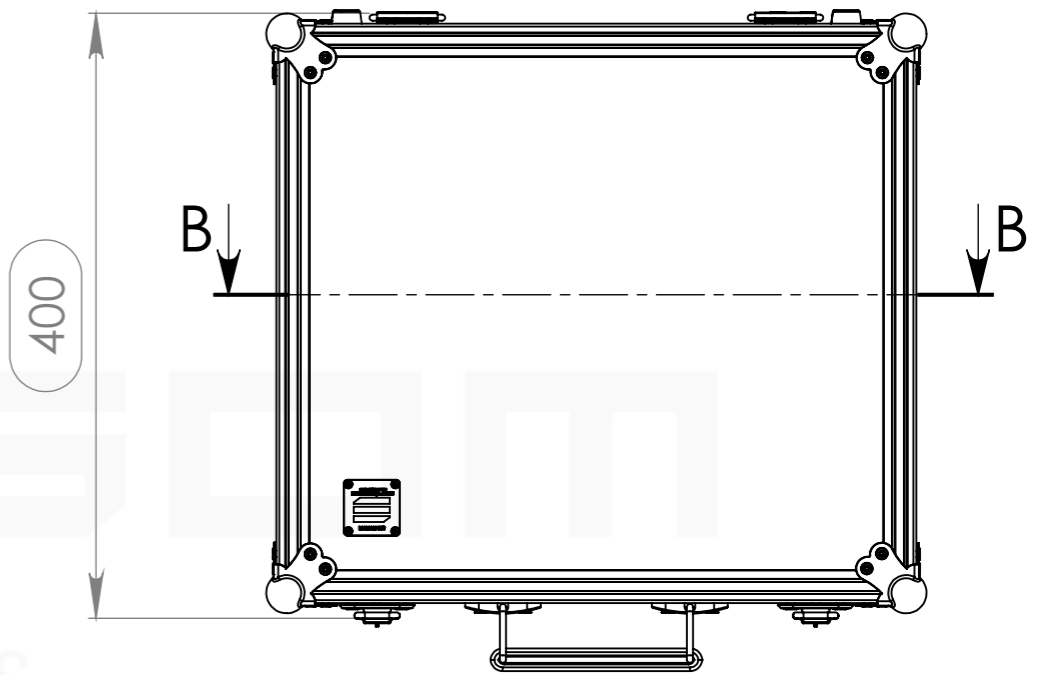
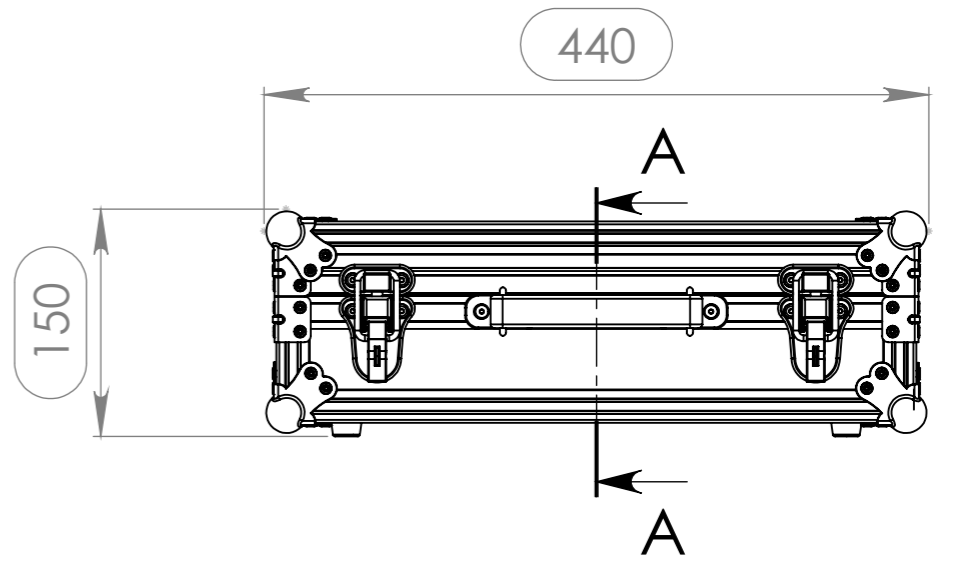
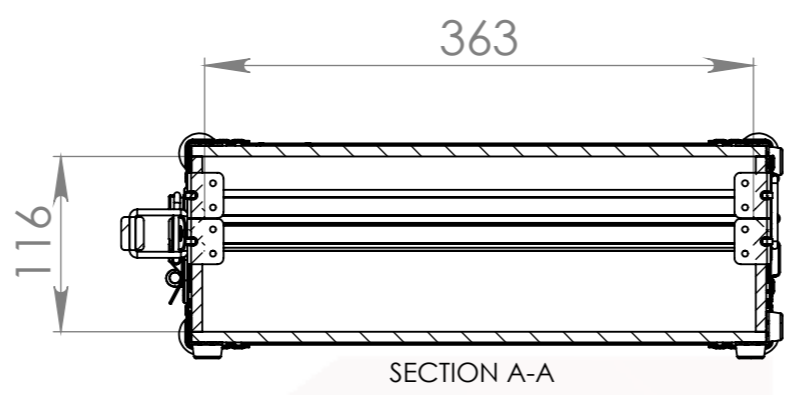
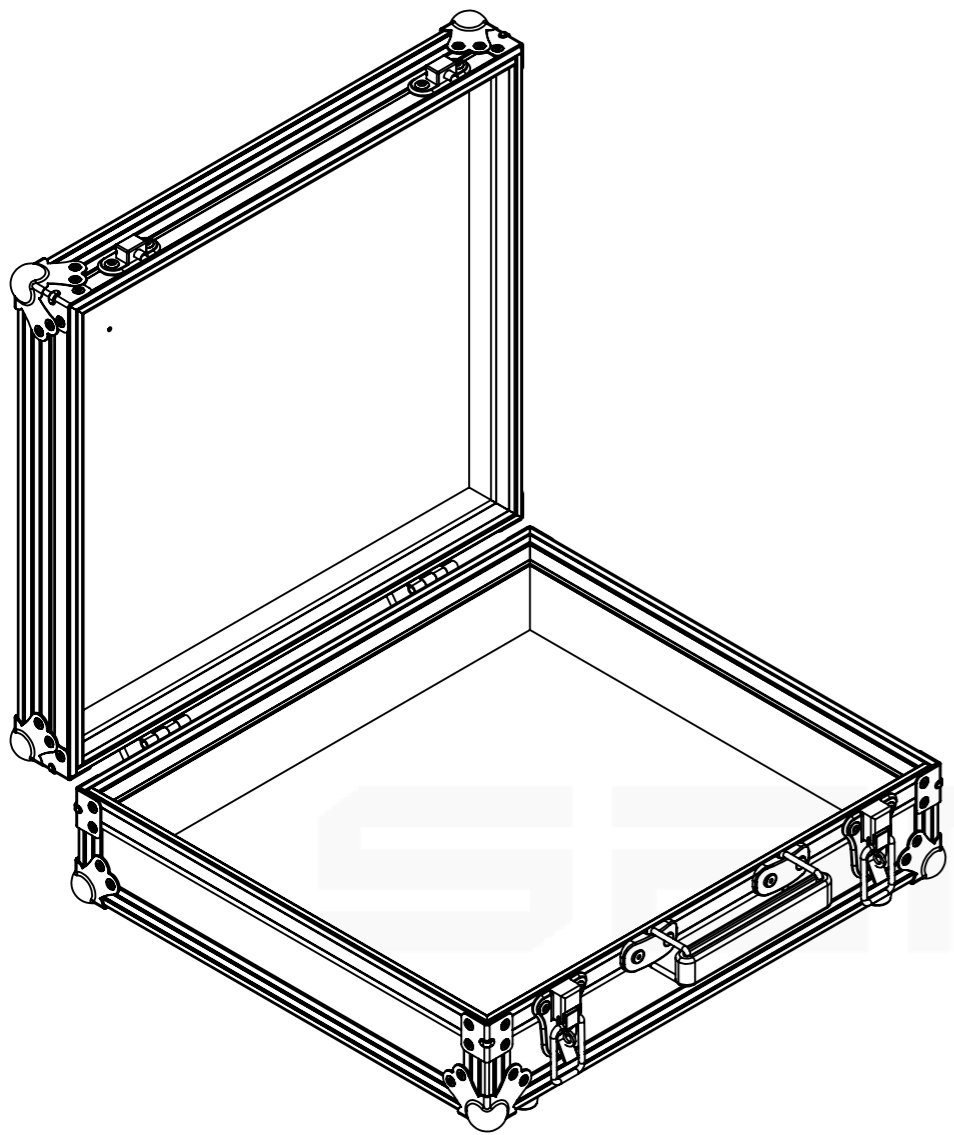


| Internal Dimensions | | |
|---------------------|--------------|--------|
| Width | Depth | Height |
| 403 | 363 | 116 |
| Weight | Approx. 3 Kg | |
| Wall Thickness | 7mm | |



| Hardware | | |
|----------|------------|---|
| Qty | Ref. | Description |
| 1 | CHAPA.1001 | Identification Plate |
| 8 | 4903 | Rubber foot 20 x 9 mm, black |
| 4 | 40407 | Medium corner-brace zinc plated 1,0mm |
| 2 | 16021 | Large padlocking drawbolt |
| 2 | 2524 | HEAVY DUTY STRUT HINGE WITH BLACK PLATE |
| 4 | 40407 | Medium corner-brace zinc plated 1,0mm |
| 8 | C1345Z | Small ball corner - 3 leg - zinc plated |
| 1 | 3415 | Leather Case Handle |

This drawing must not be copied or disclosed without consent of the owner

| | | |
|----------------------|----------------------|-------------------|
| Drawn by | Name | Date |
| projects | | 13/01/2017 |
| Reference | S1AA.0444015 | |
| Scale | units in mm | general tolerance |
| 1:5 | DO NOT SCALE | 0.8mm |
| 1st Angle projection | FC S1AA. 440x400x150 | |



A3