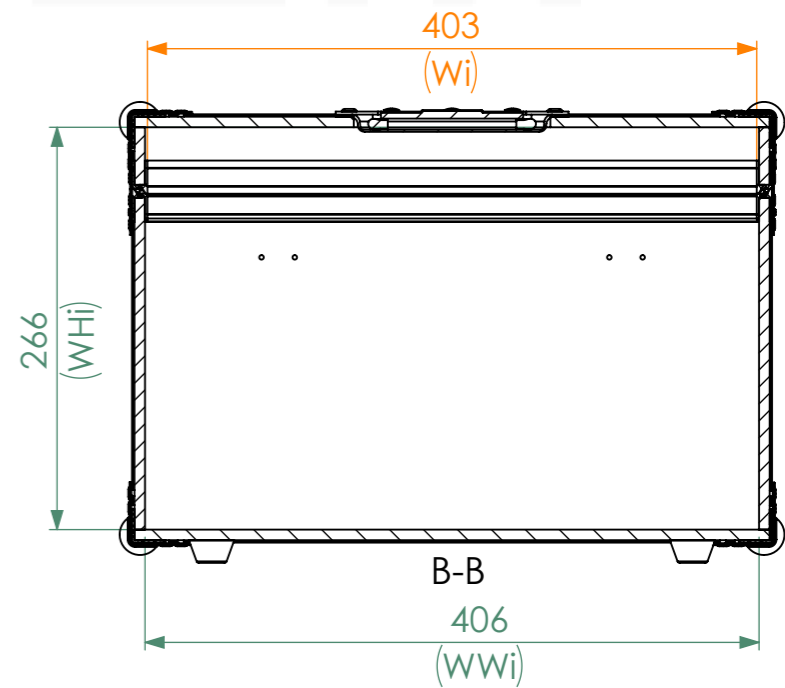
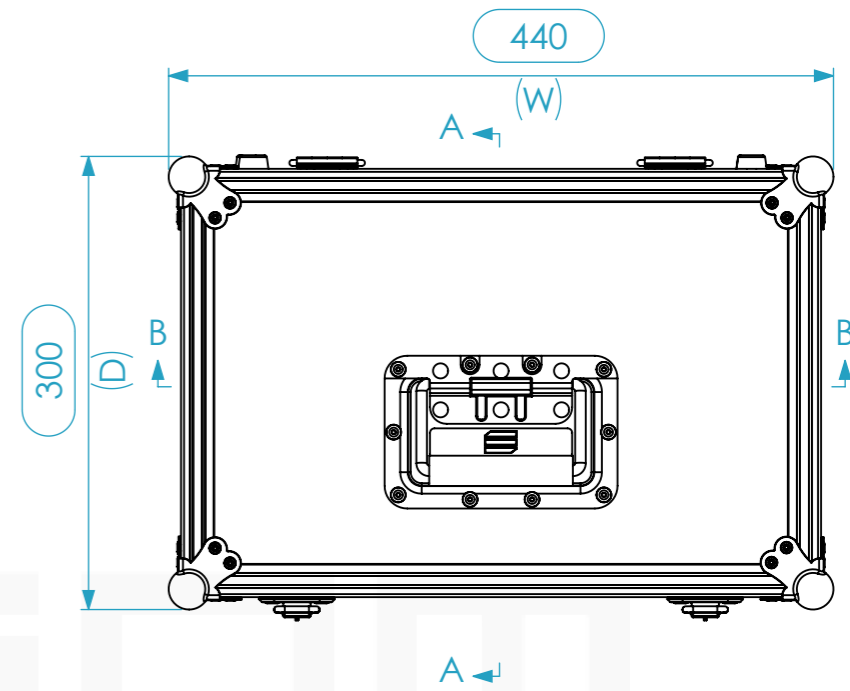
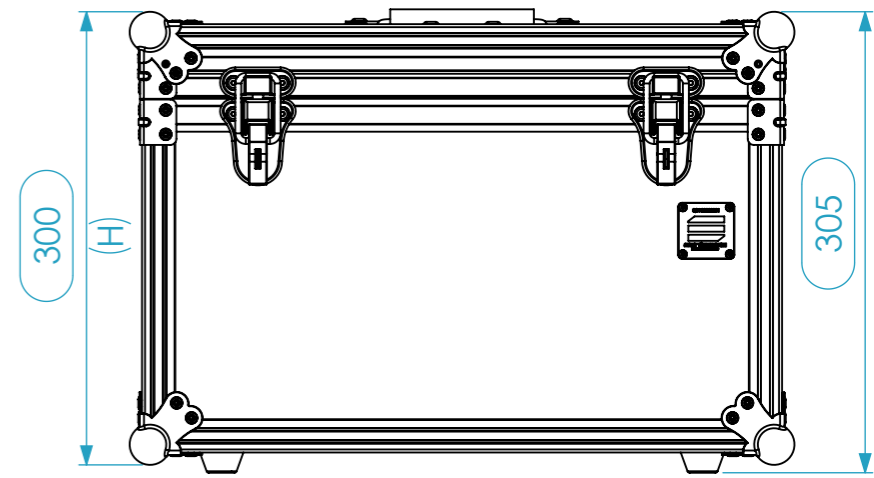
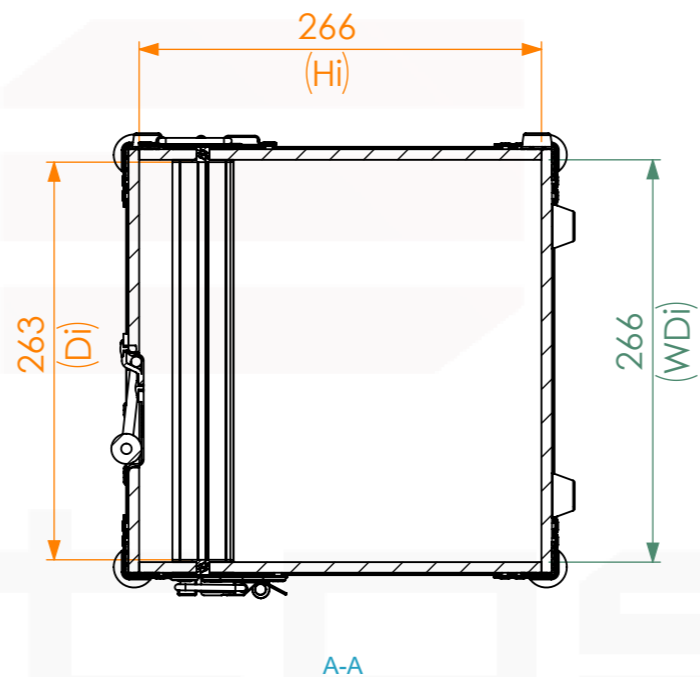
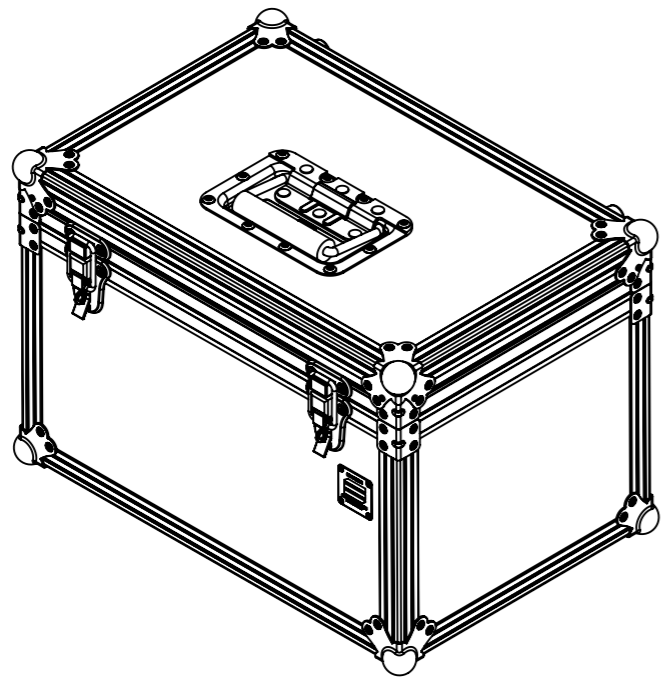
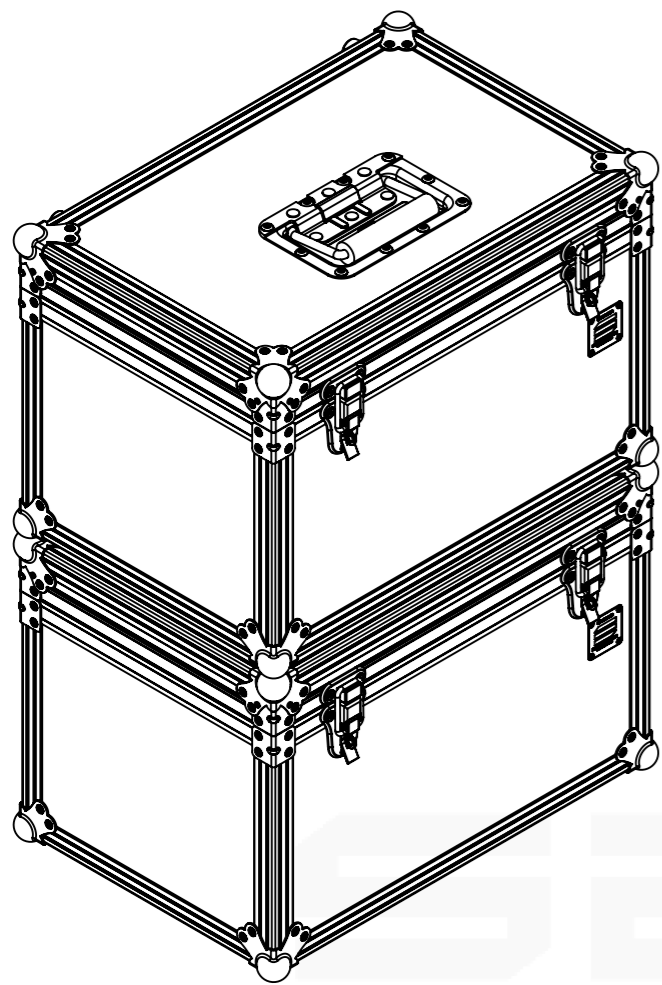


Internal Dimensions		
Width	Depth	Height
403	263	266
Weight	Approx. 5 Kg	
Wall Thickness		7mm



General External Dimensions		Usable Inner Dimensions (UID)		Wood Inner Dimensions (WID)	
W	Width	Wi	Inside Width	WWi	Wood Inside Width
D	Depth	Di	Inside Depth	WDi	Wood Inside Depth
H	Height	Hi	Inside Height	WHi	Wood Inside Height

Name	Date
Drawn by	CatarinaHenriques 13/06/2018
Reference	S1AA.0443030
Scale	1:5
units in mm	general tolerance 0.8mm
DO NOT SCALE	
S1 44.30.30 (40X26X26 WID)	



This drawing must not be copied or disclosed without consent of the owner

1st Angle projection

A3