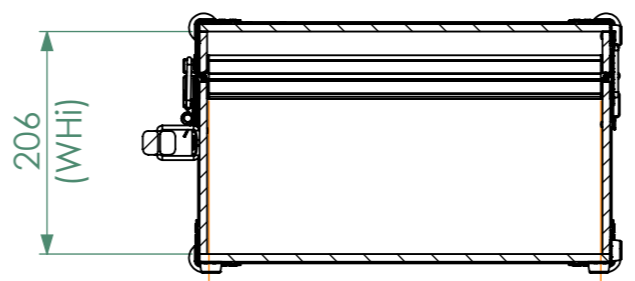
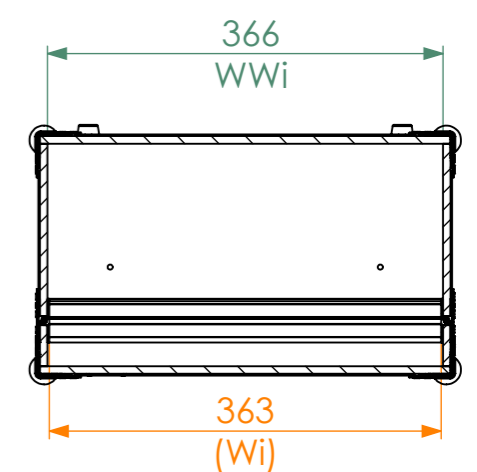
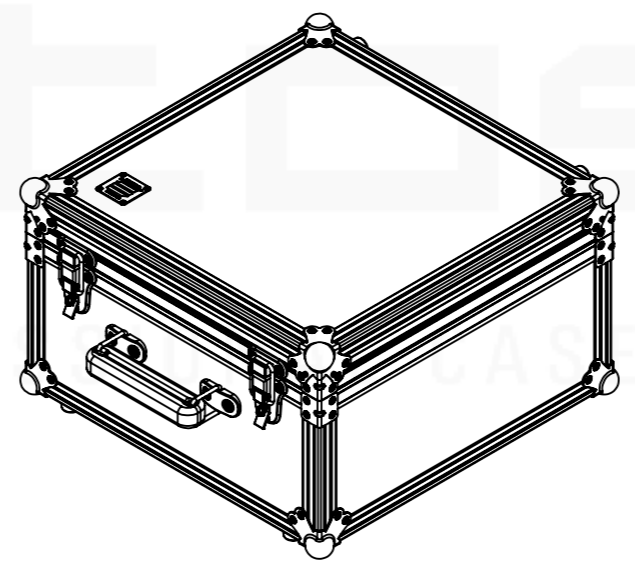
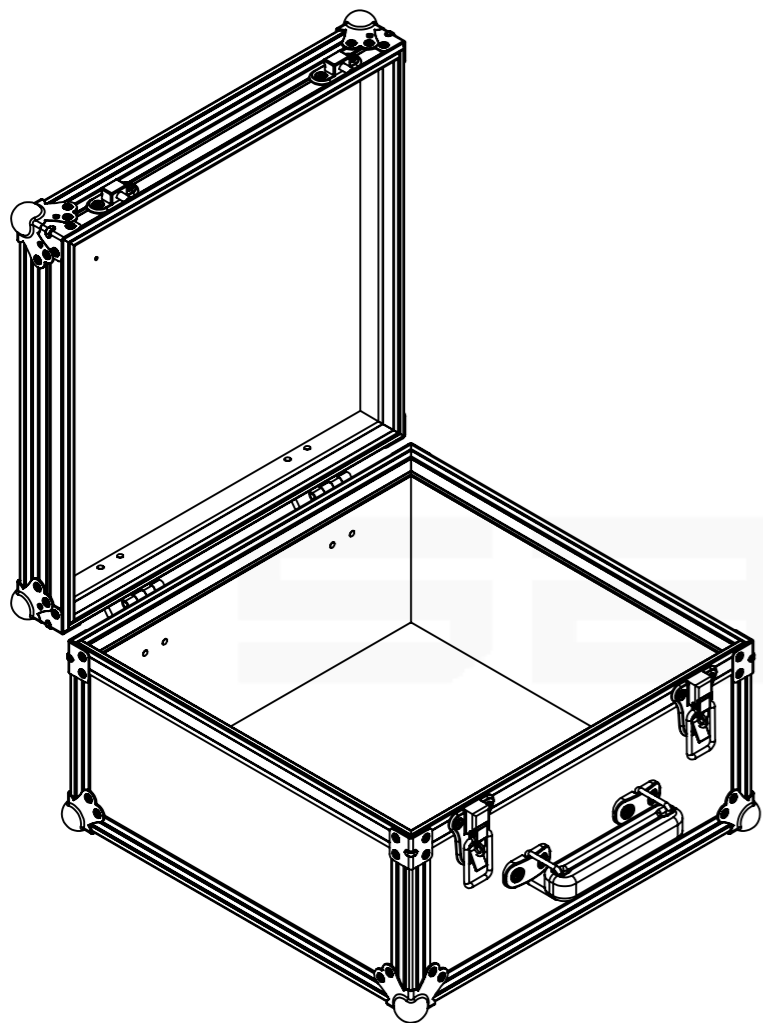
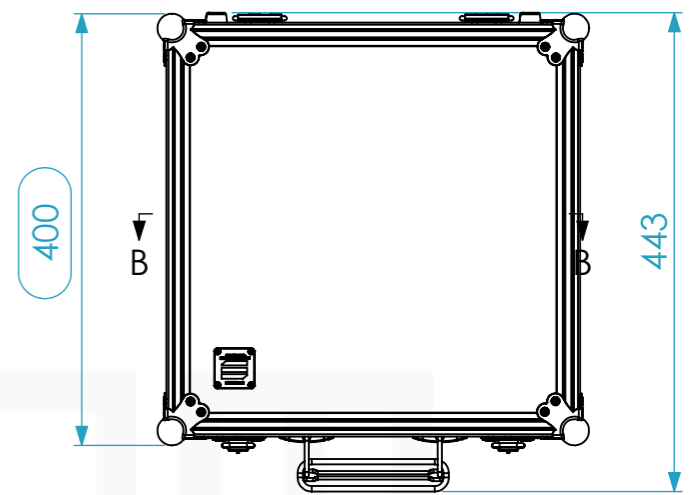
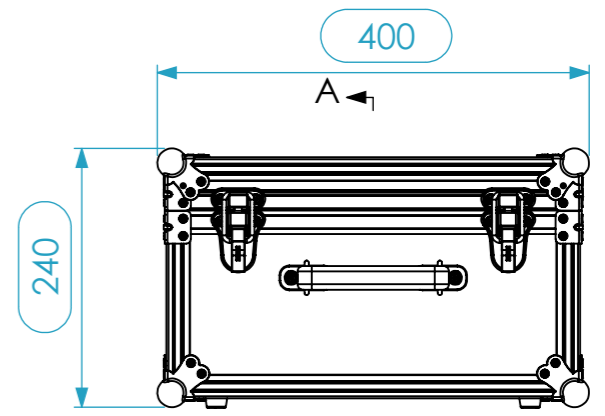


Internal Dimensions		
Width	Depth	Height
363	363	206
Weight	Approx. 4 Kg	
Wall Thickness	7mm	



SECTION A-A
SCALE 1 : 7



SECTION B-B
SCALE 1 : 7

General External Dimensions		Usable Inner Dimensions		Wood Inner Dimensions	
W	Width	Wi	Inside Width	WWi	Wood Inside Width
D	Depth	Di	Inside Depth	WDi	Wood Inside Depth
H	Height	Hi	Inside Height	WHi	Wood Inside Height

A3 This drawing must not be copied or disclosed without consent of the owner

1st Angle projection

Scale 1:5
units in mm DO NOT SCALE
general tolerance 0.8mm
FC S1AA. 363X363X203

Drawn by	Name	Date
CarlaSilva	CarlaSilva	07/07/2021
Reference	S1AA.0404024	

