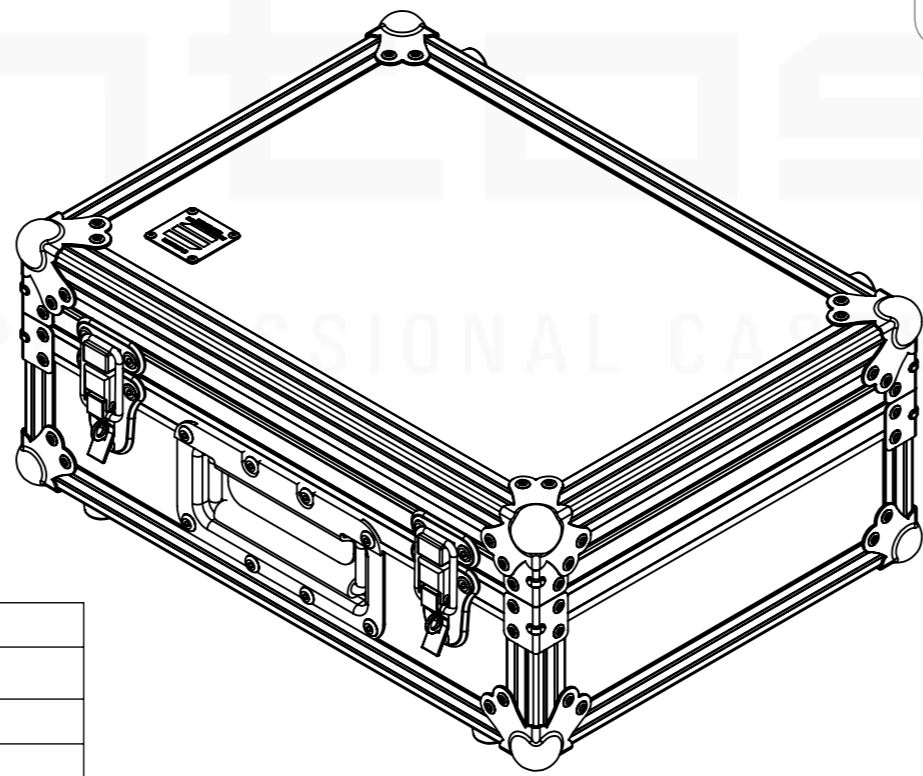
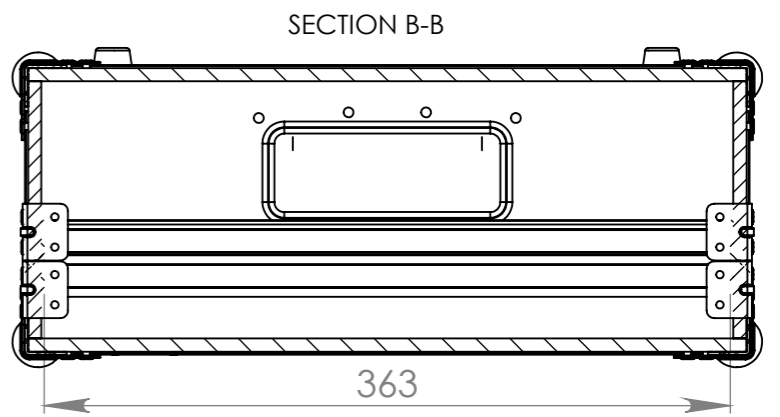
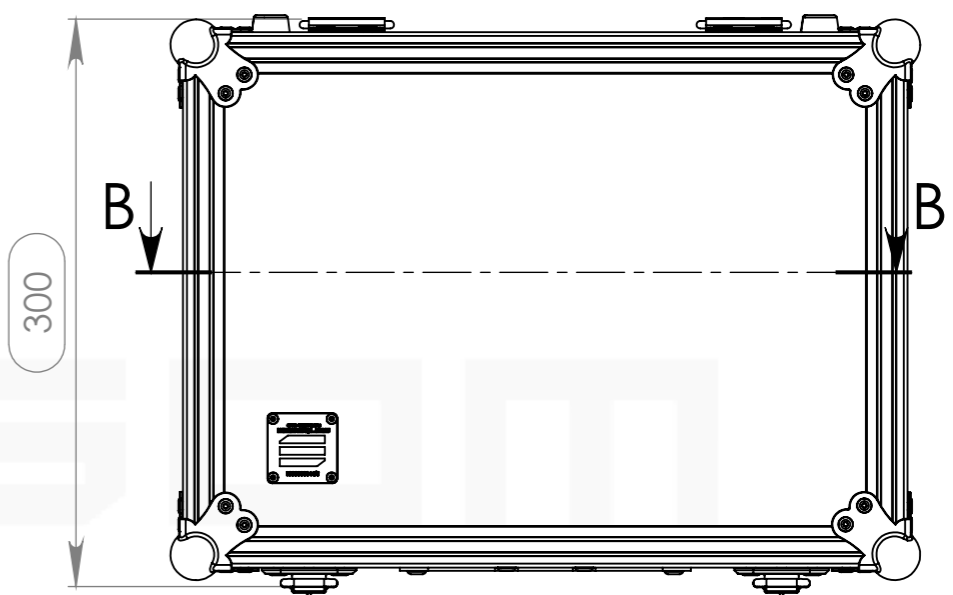
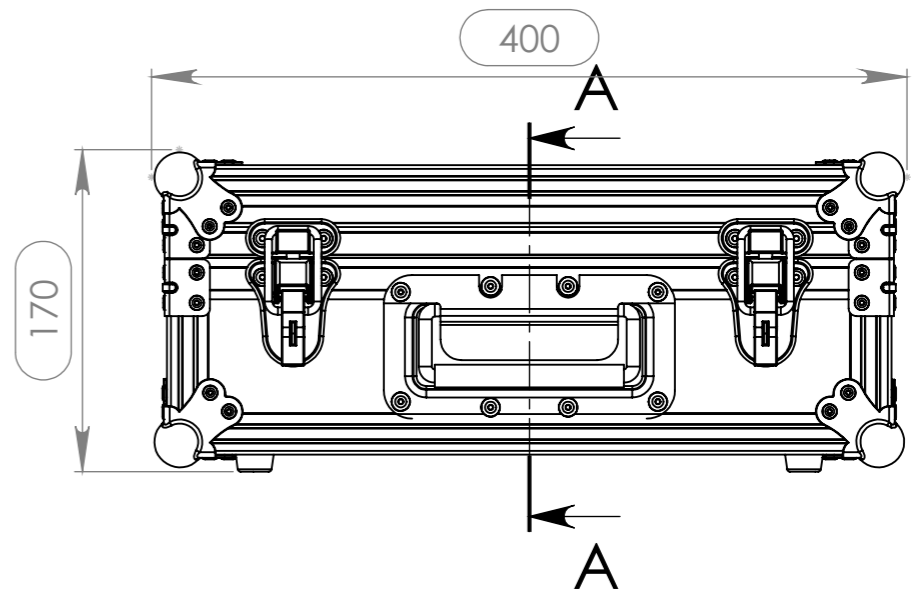
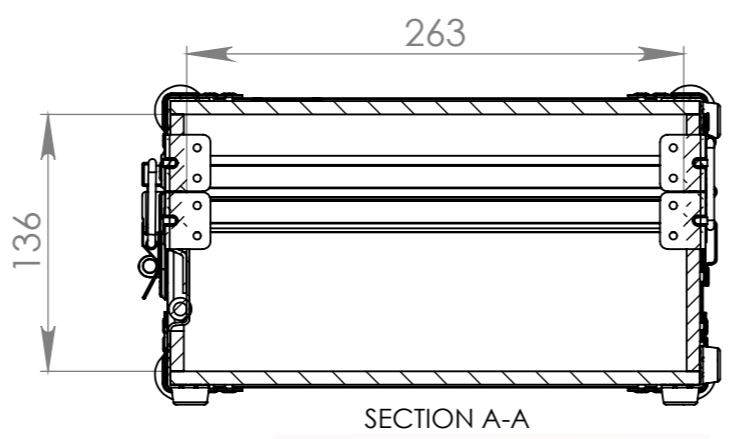
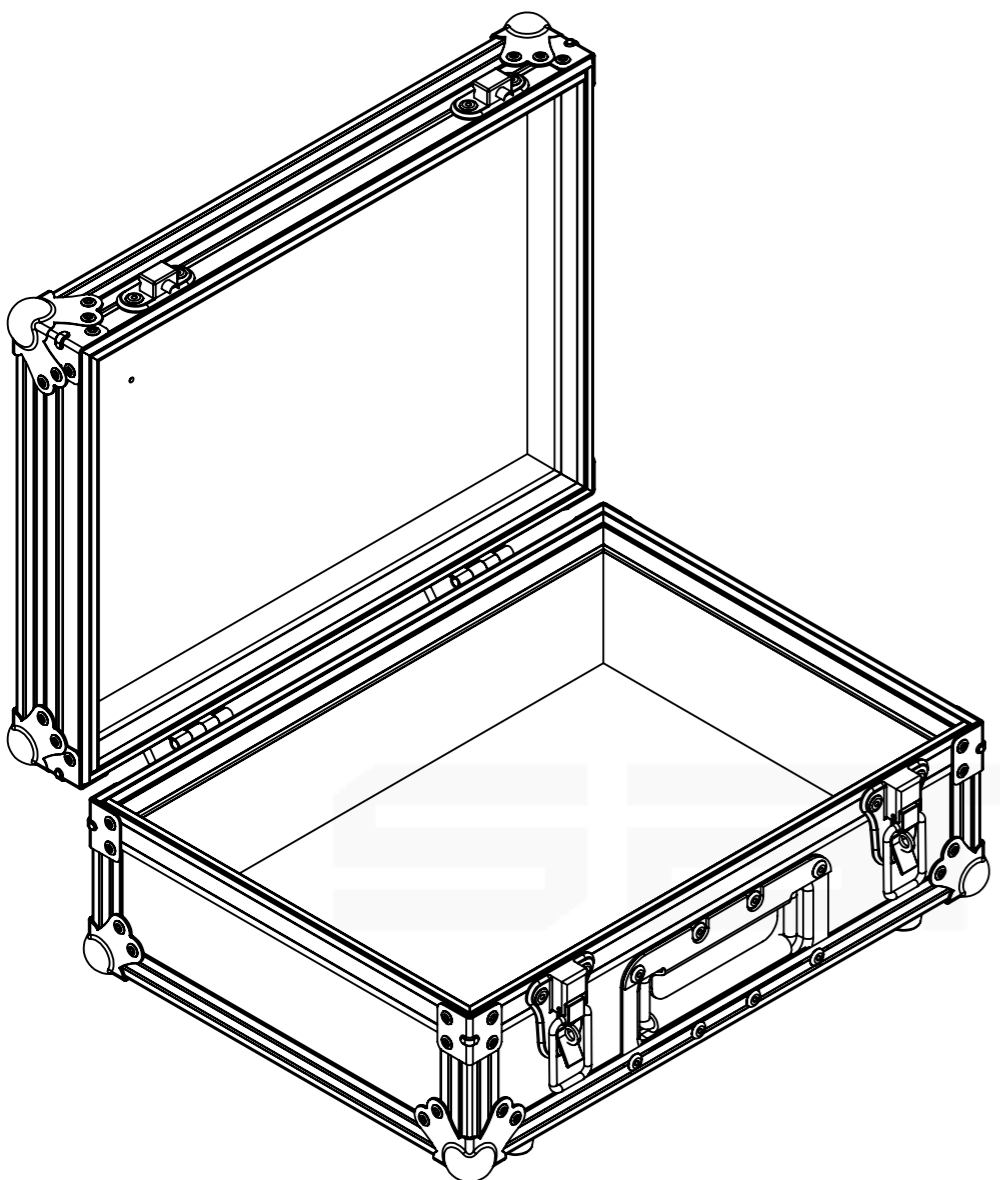


Internal Dimensions		
Width	Depth	Height
363	263	136
Weight	Approx. 3 Kg	
Wall Thickness	7mm	



Hardware		
Qty	Ref.	Description
1	CHAPA.1001	Identification Plate
8	4903	Rubber foot 20 x 9 mm, black
4	40407	Medium corner-brace zinc plated 1,0mm
2	16021	Large padlocking drawbolt
2	2524	HEAVY DUTY STRUT HINGE WITH BLACK PLATE
4	40407	Medium corner-brace zinc plated 1,0mm
8	C1345Z	Small ball corner - 3 leg - zinc plated
1	340822	Recessed sprung handle - Small

This drawing must not be copied or disclosed without consent of the owner

Drawn by	Name	Date
projects		07/07/2017
Reference	S1AA.0403017	
Scale	units in mm	general tolerance
1:4	DO NOT SCALE	0.8mm
1st Angle projection	FC S1AA. 363X263X163	

