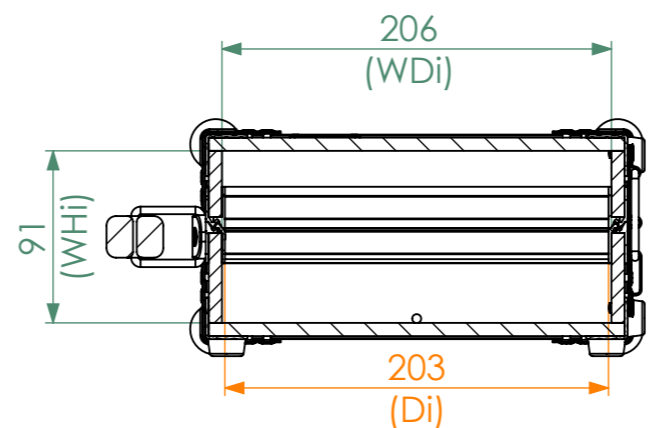
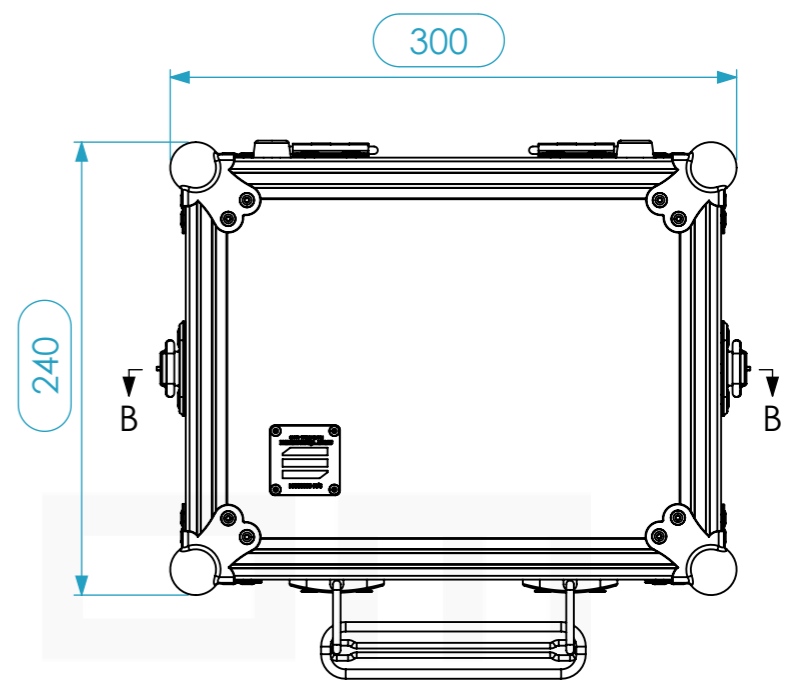
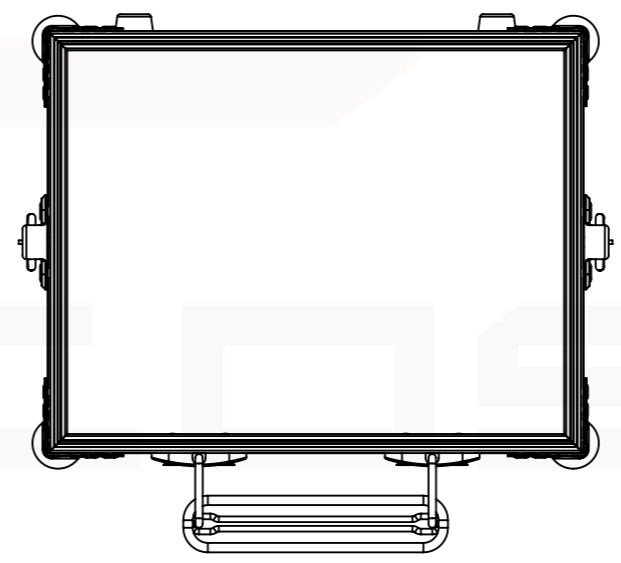
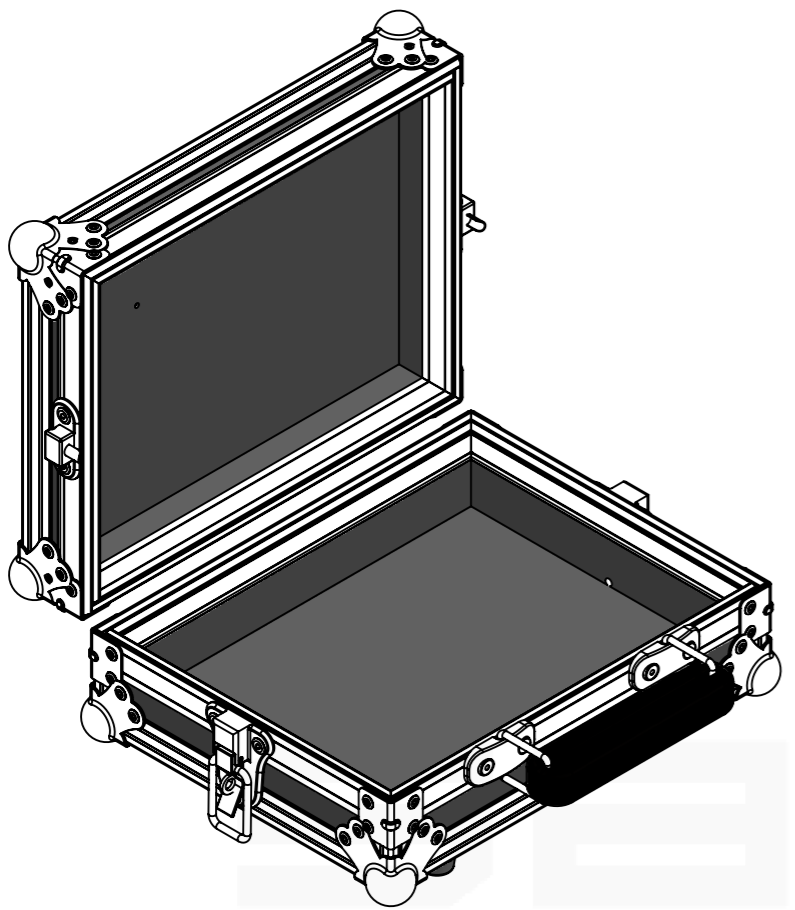
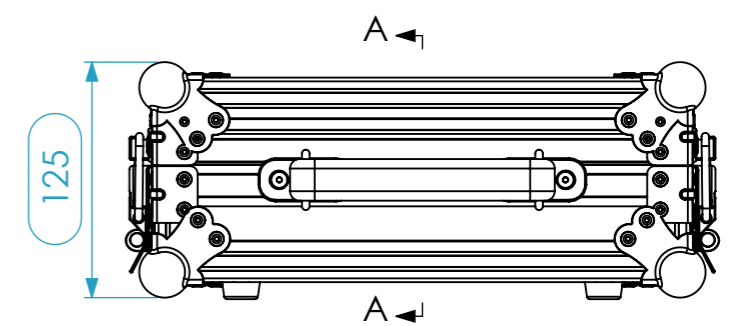


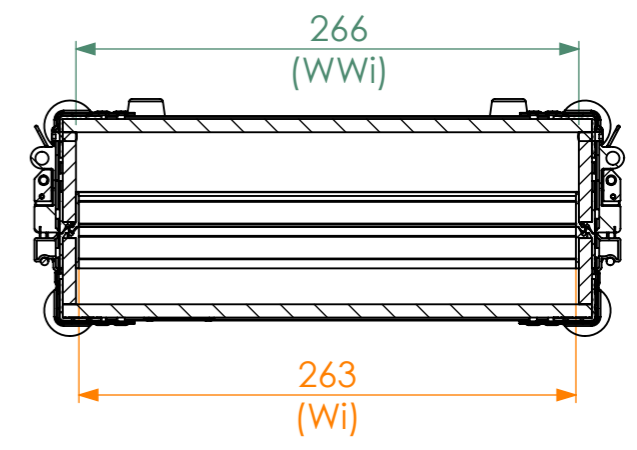
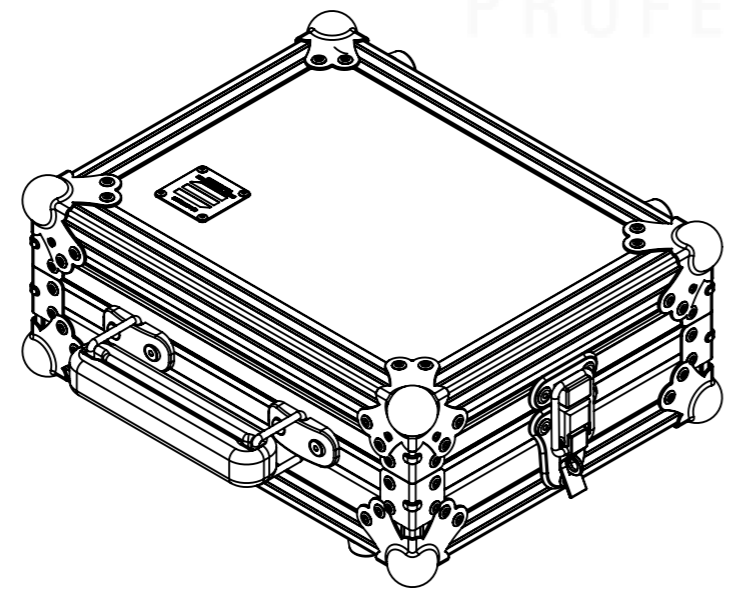
Internal Dimensions		
Width	Depth	Height
263	203	91
Weight	Approx. 2 Kg	
Wall Thickness	7mm	



SECTION A-A



SECTION B-B



Wood Inner Dimensions		Usable Inner Dimensions		General External Dimensions	
WWi	Wood Inside Width	Wi	Inside Width	W	Width
WDi	Wood Inside Depth	Di	Inside Depth	D	Depth
WHi	Wood Inside Height	Hi	Inside Height	H	Height

This drawing must not be copied or disclosed without consent of the owner

Drawn by	Name	Date
projects		12/03/2020
Reference	S1AA.0302412	
Scale	units in mm	general tolerance
1:4	DO NOT SCALE	0.8mm
1st Angle projection	FC S1AA 263 x 203 x 91MM	



A3