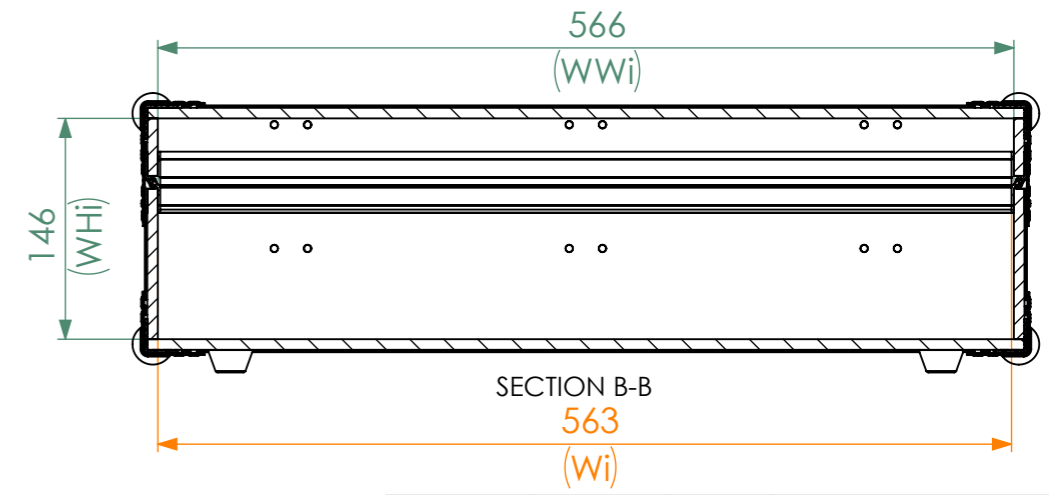
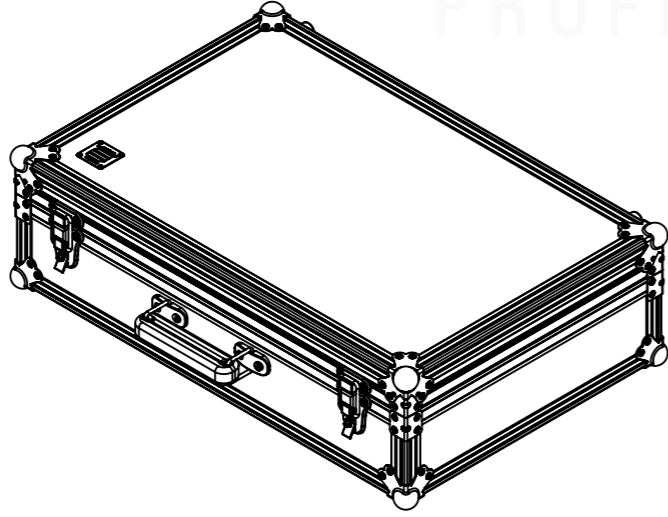
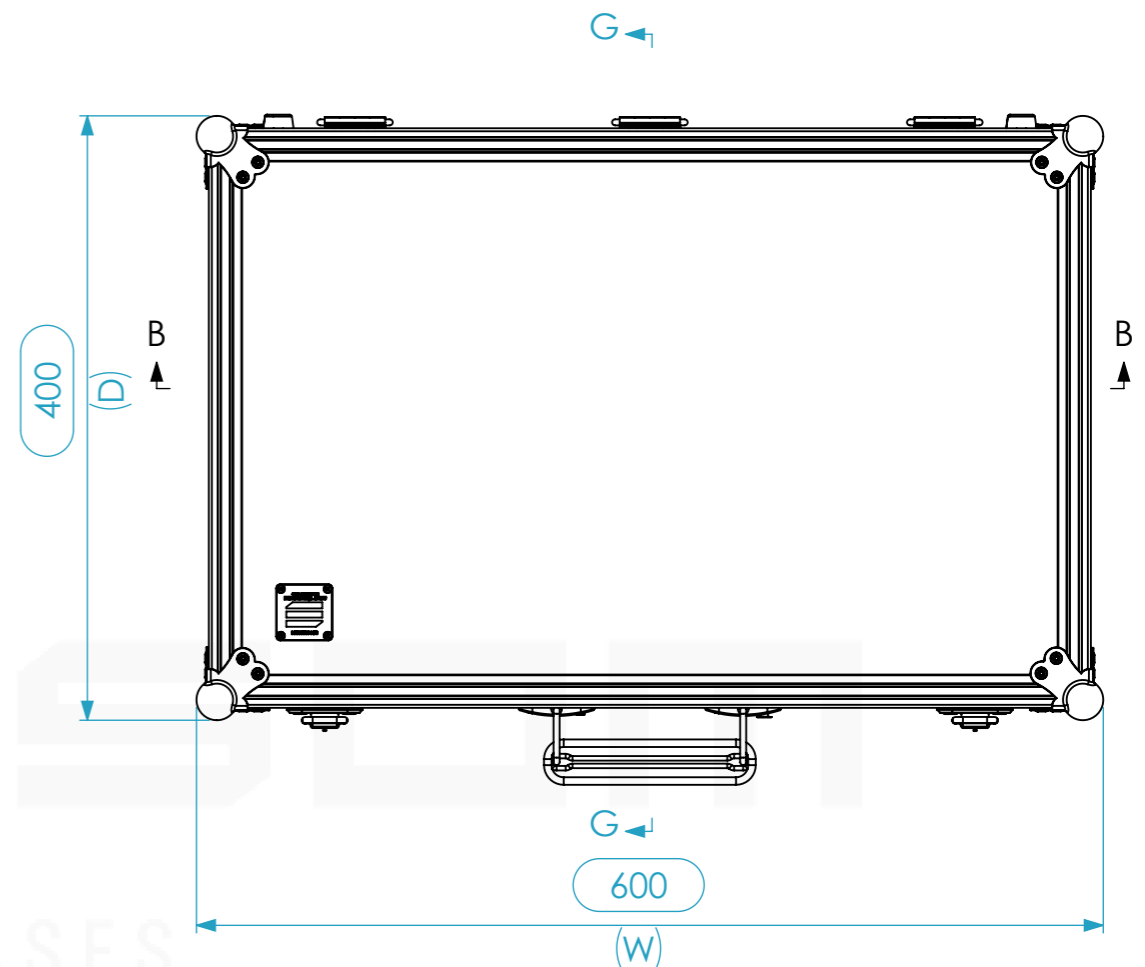
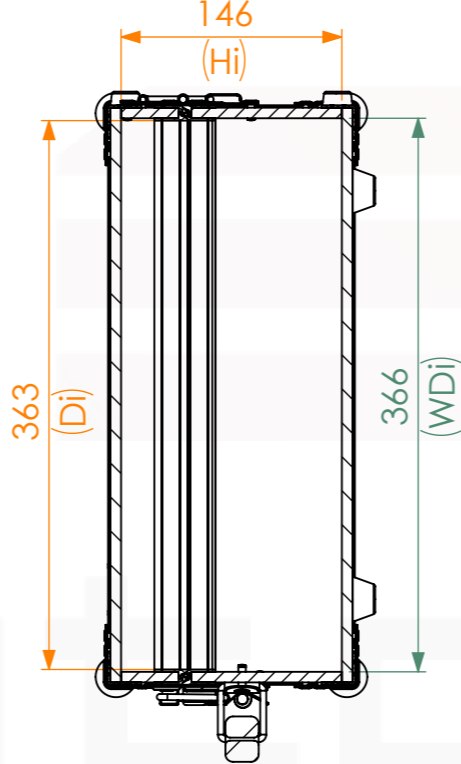
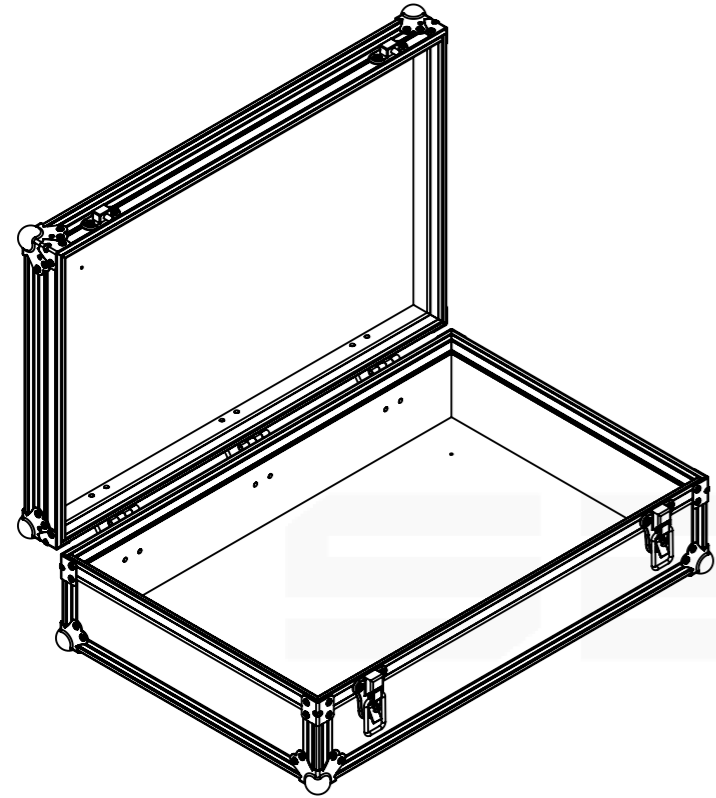
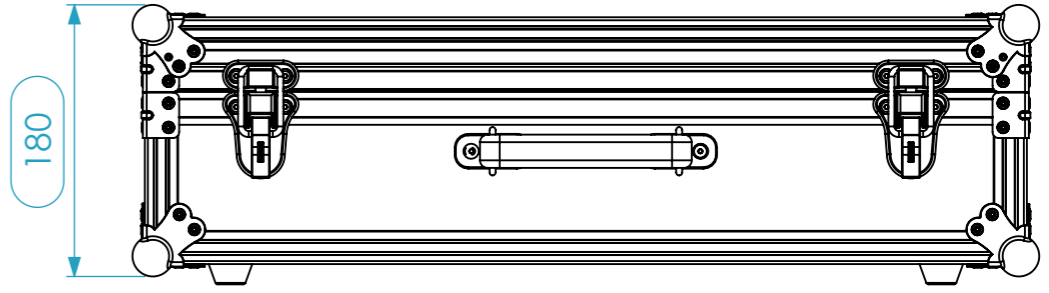
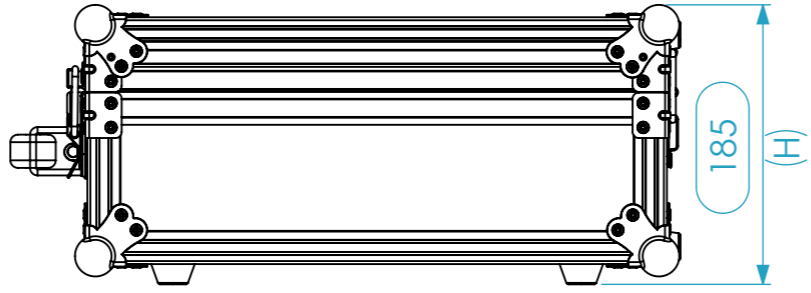


Internal Dimensions		
Width	Depth	Height
563	363	143
Weight	Approx. 4 Kg	
Wall Thickness	7mm	



General External Dimensions		Usable Inner Dimensions		Wood Inner Dimensions	
W	Width	Wi	Inside Width	WWi	Wood Inside Width
D	Depth	Di	Inside Depth	WDi	Wood Inside Depth
H	Height	Hi	Inside Height	WHi	Wood Inside Height

This drawing must not be copied or disclosed without consent of the owner

Name	Date
Drawn by	CatarinaHenriques 14/01/2019
Reference	S1AA.0604018
Scale	1:5
units in mm	DO NOT SCALE
general tolerance	0.8mm
BRIEFCASE S1 55.40.18 (S1X36X14 WID)	



A3

