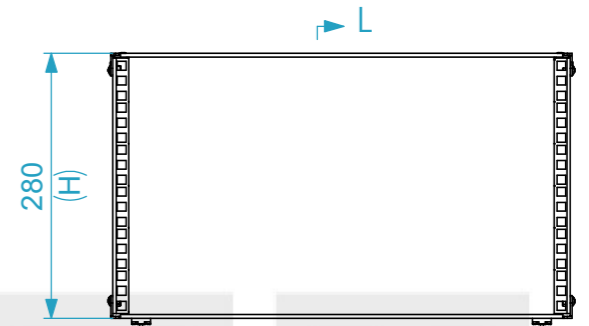
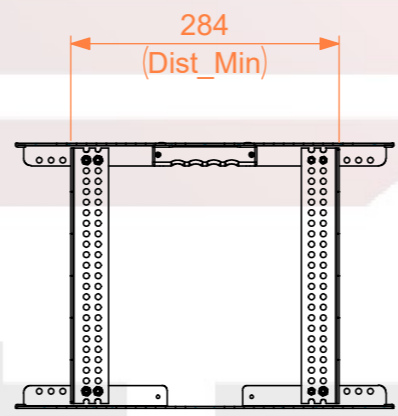
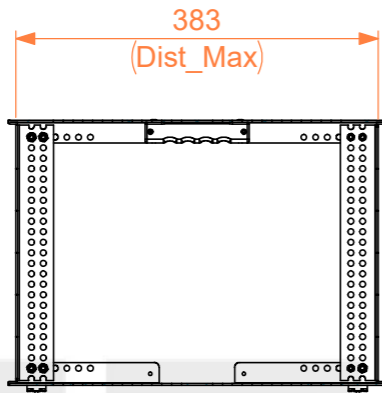
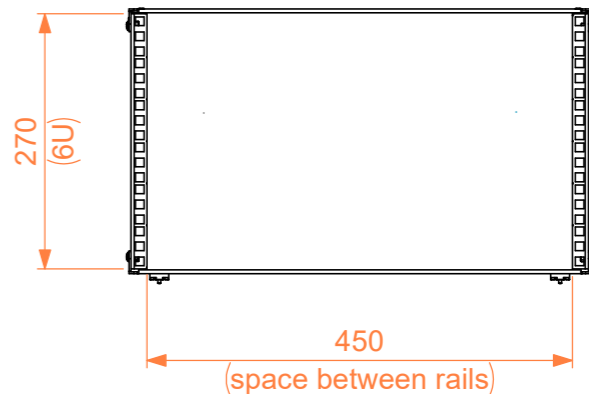
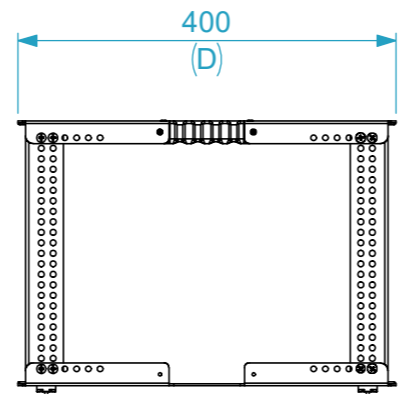
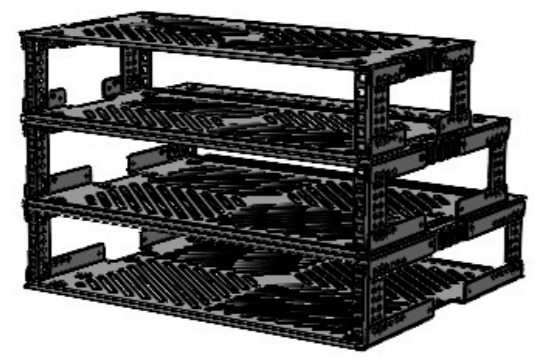


# Dimensions

<b>Width</b>	<b>Depth</b>	<b>Height</b>
488	400	270
<b>Weight</b>	Approx. 2.35 Kg	

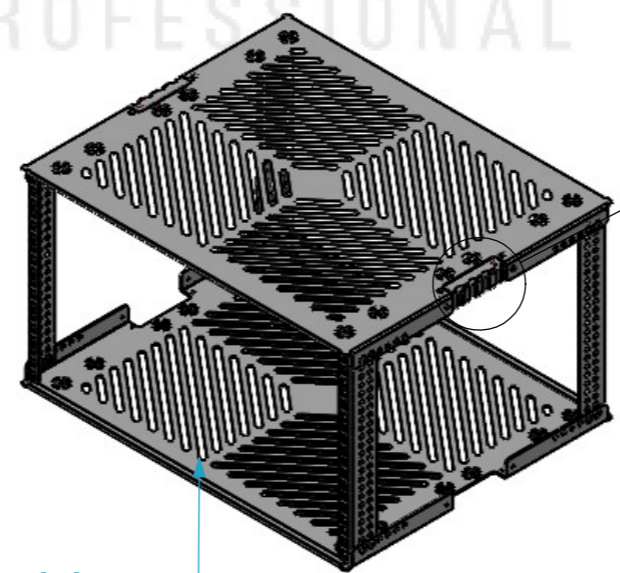
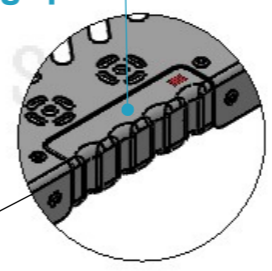


**STACKABLE**

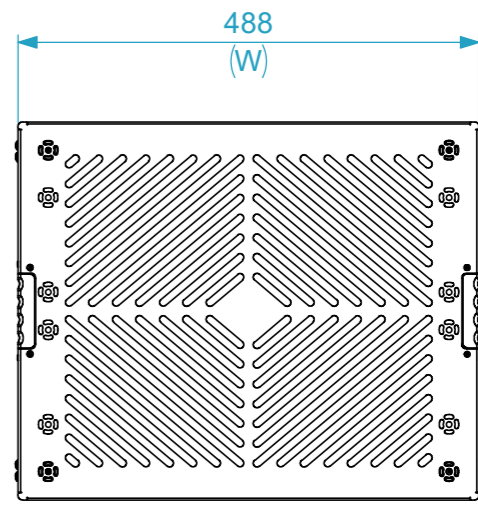


(available in different depths)

**Ergonomic handle for easy grip**



**Lightweight, Black powder coated**



Drawn by	Name	Date
alvaro.santos	alvaro.santos	19/05/2026
Reference	RSM.0640	
Scale	units in mm	general tolerance
1:8	DO NOT SCALE	0.8mm
1st Angle projection	19" Rack Sleeve Metal, 6U 400	



This drawing must not be copied or disclosed without consent of the owner

A3