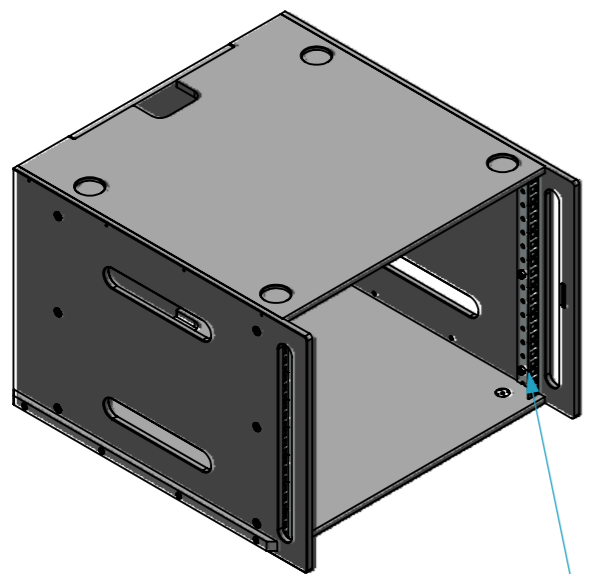
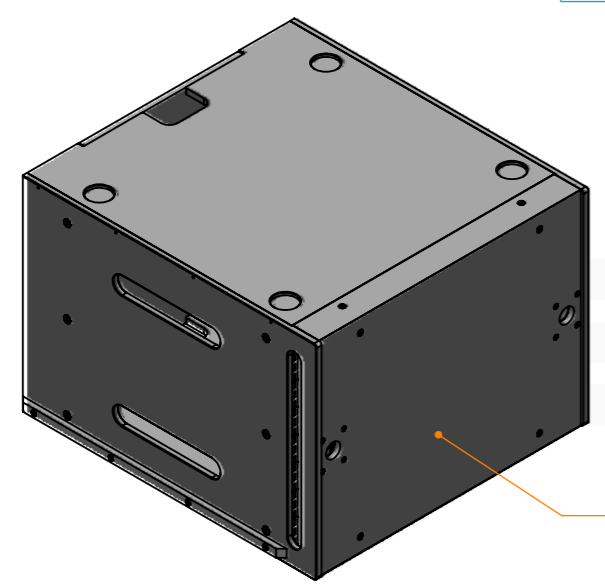


Internal Dimensions		
Width	Depth	Height
19"	38	8U
Weight	Approx. 10 Kg	
Wall Thickness	10mm	

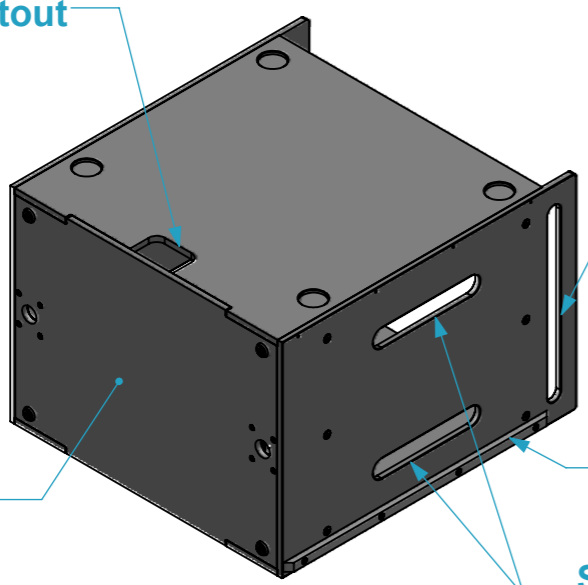


2 mm thick steel rack rails for standard M6 cage nuts



Optional Front Lid (Not included) Ref: RTK.08LID

Cable cutout

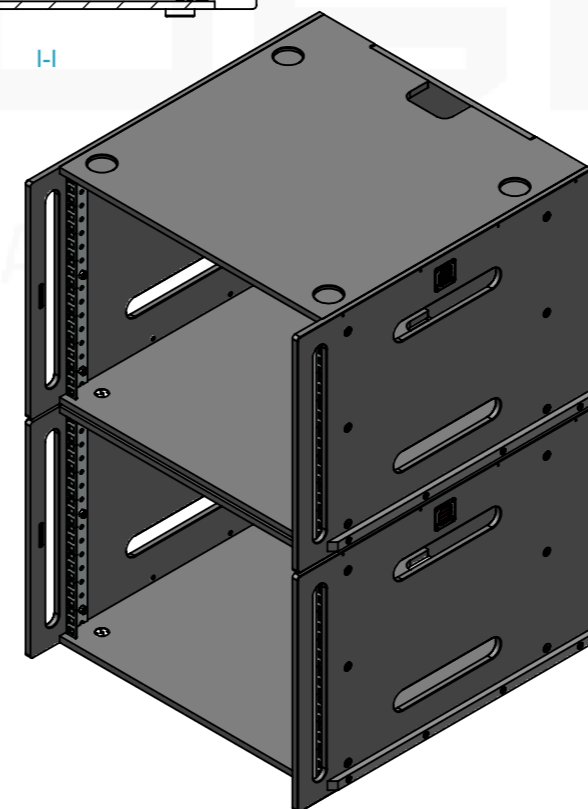
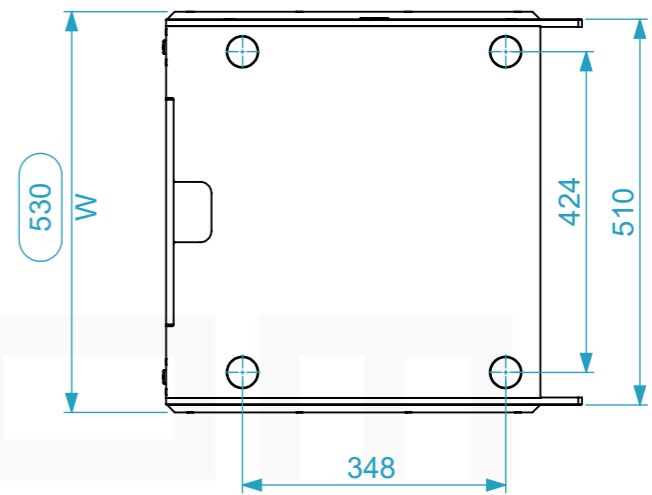
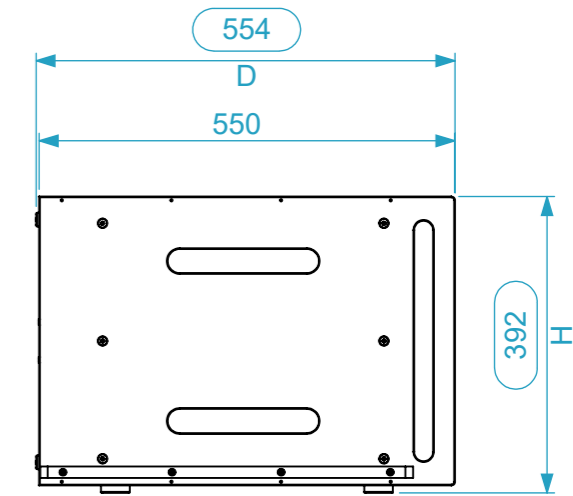
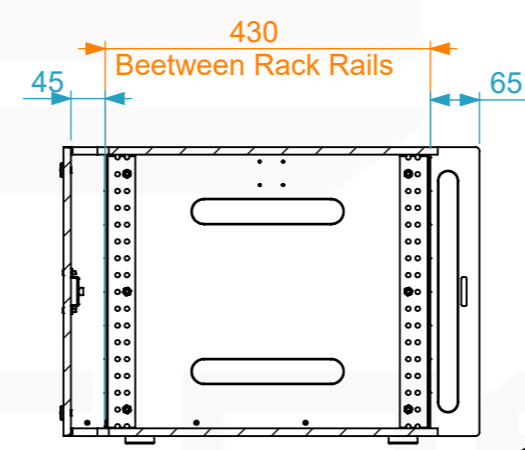
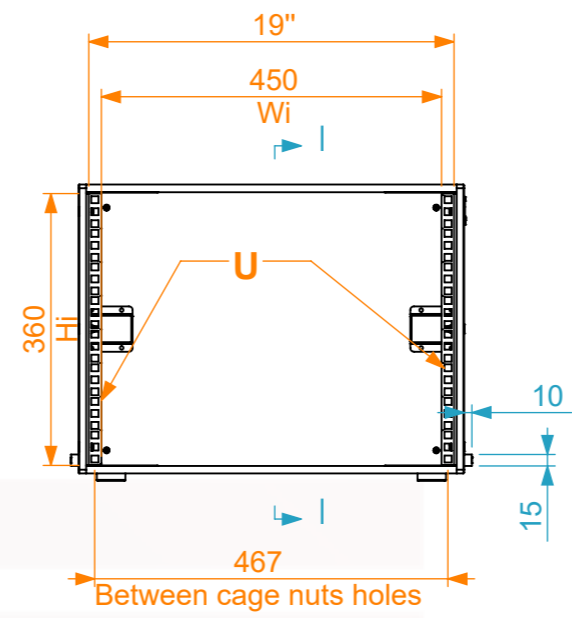


Front handle

Plastic side glide

Side Handle / Ventilation holes

Removable back lid



STACKING

Name	Date
Drawn by: jose.couto	30/08/2024
Reference: RTK.0855	
Scale: 1:10	units in mm, general tolerance 0.8mm
1st Angle projection	Trunk Rack, 8U 430

This drawing must not be copied or disclosed without consent of the owner



A3