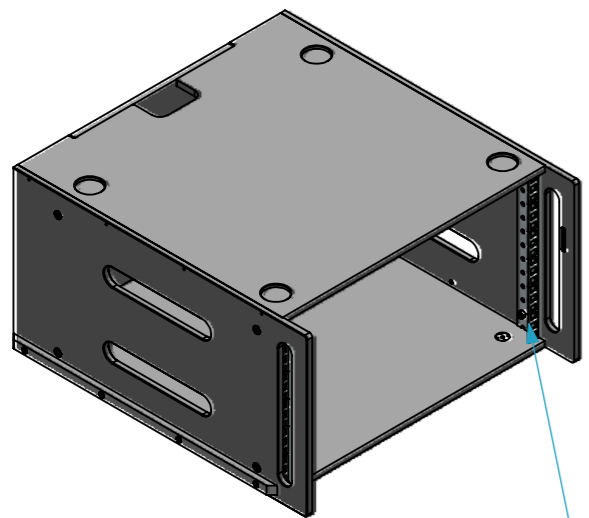
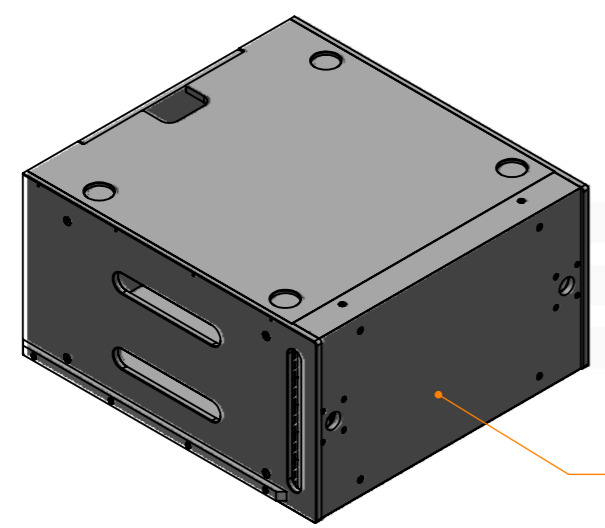


Internal Dimensions		
Width	Depth	Height
19"	38	6U
Weight	Approx. 10 Kg	
Wall Thickness	10mm	

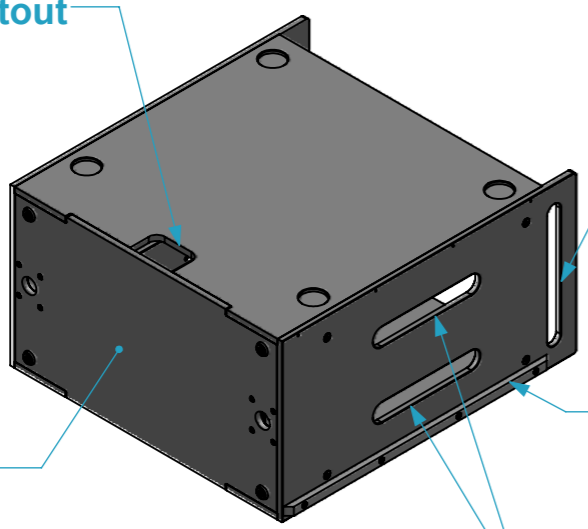


2 mm thick steel rack rails for standard M6 cage nuts



Optional Front Lid (Not included)  
Ref: RTK.06LID

Cable cutout

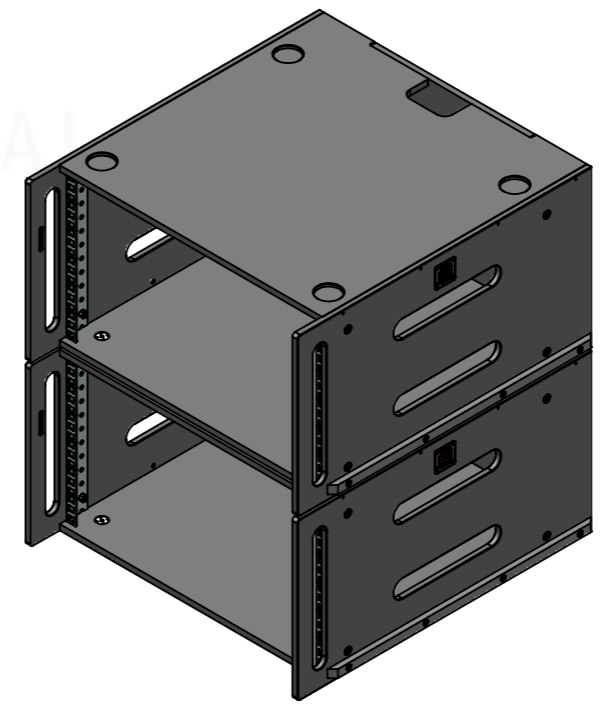
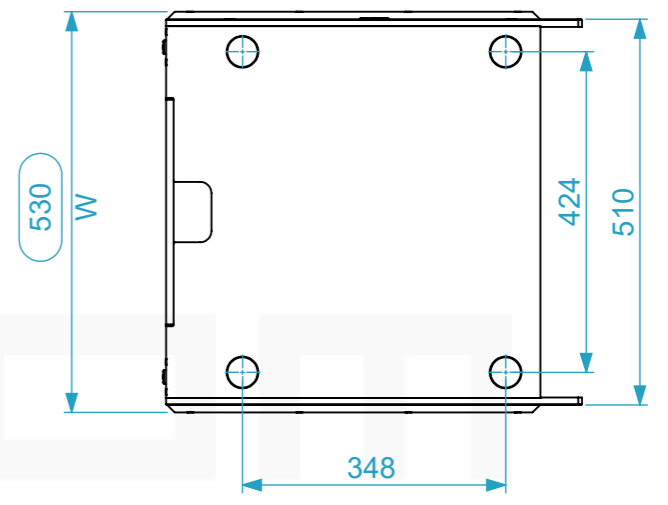
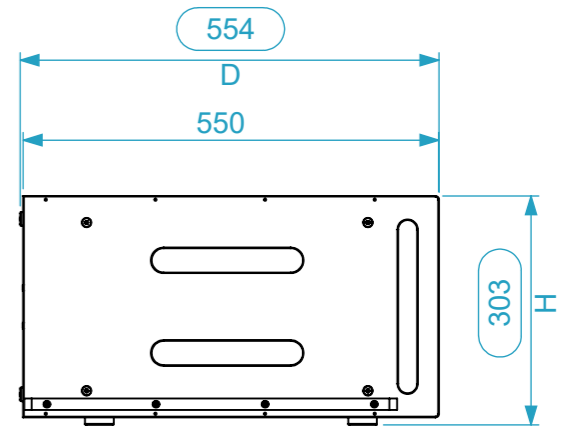
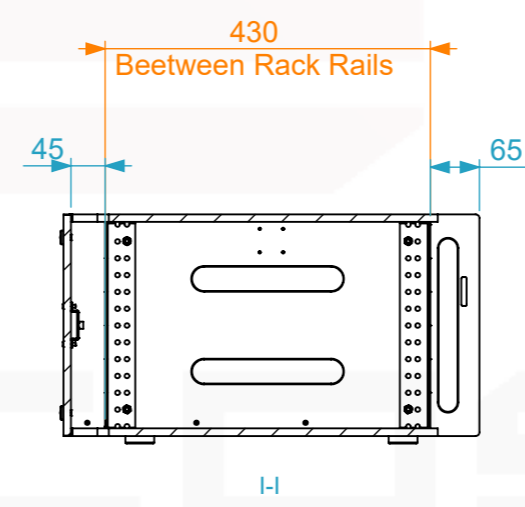
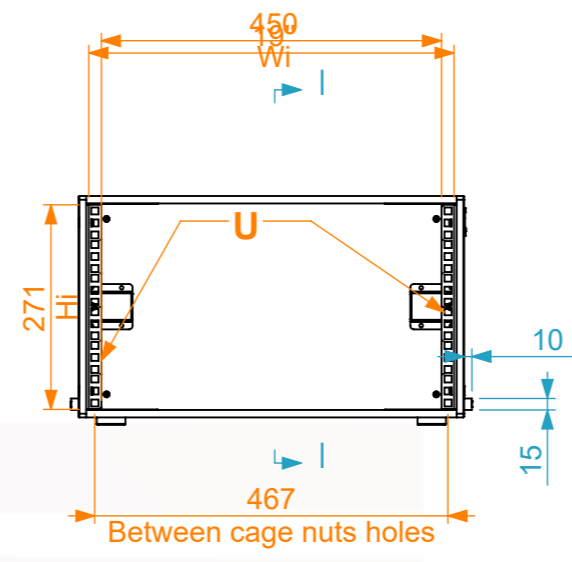


Front handle

Plastic side glide

Side Handle / Ventilation holes

Removable back lid



STACKING

This drawing must not be copied or disclosed without consent of the owner

Drawn by	Name	Date
projects		20/09/2024
Reference	RTK.0655	
Scale	units in mm	general tolerance
1:10	DO NOT SCALE	0.8mm
1st Angle projection	Trunk Rack, 8U 430	

