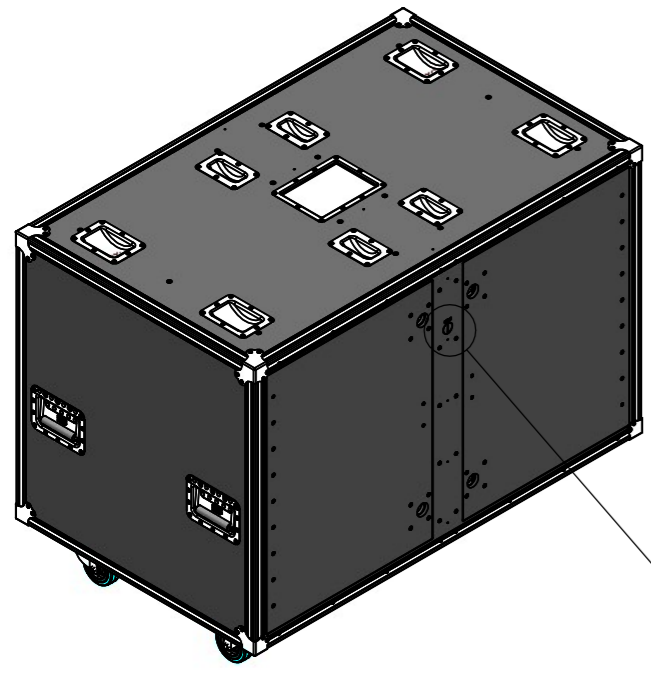
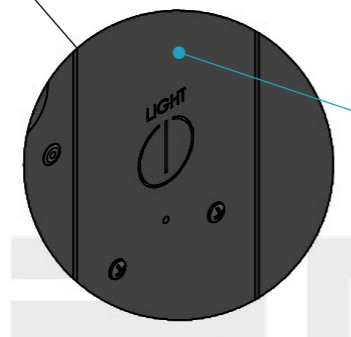
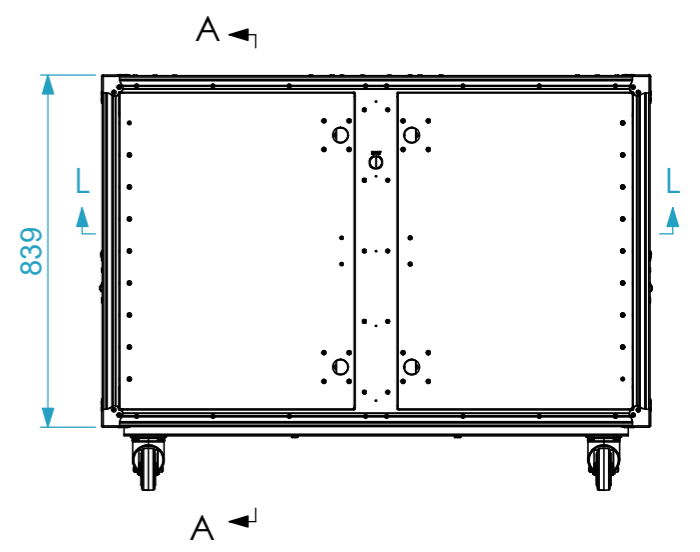
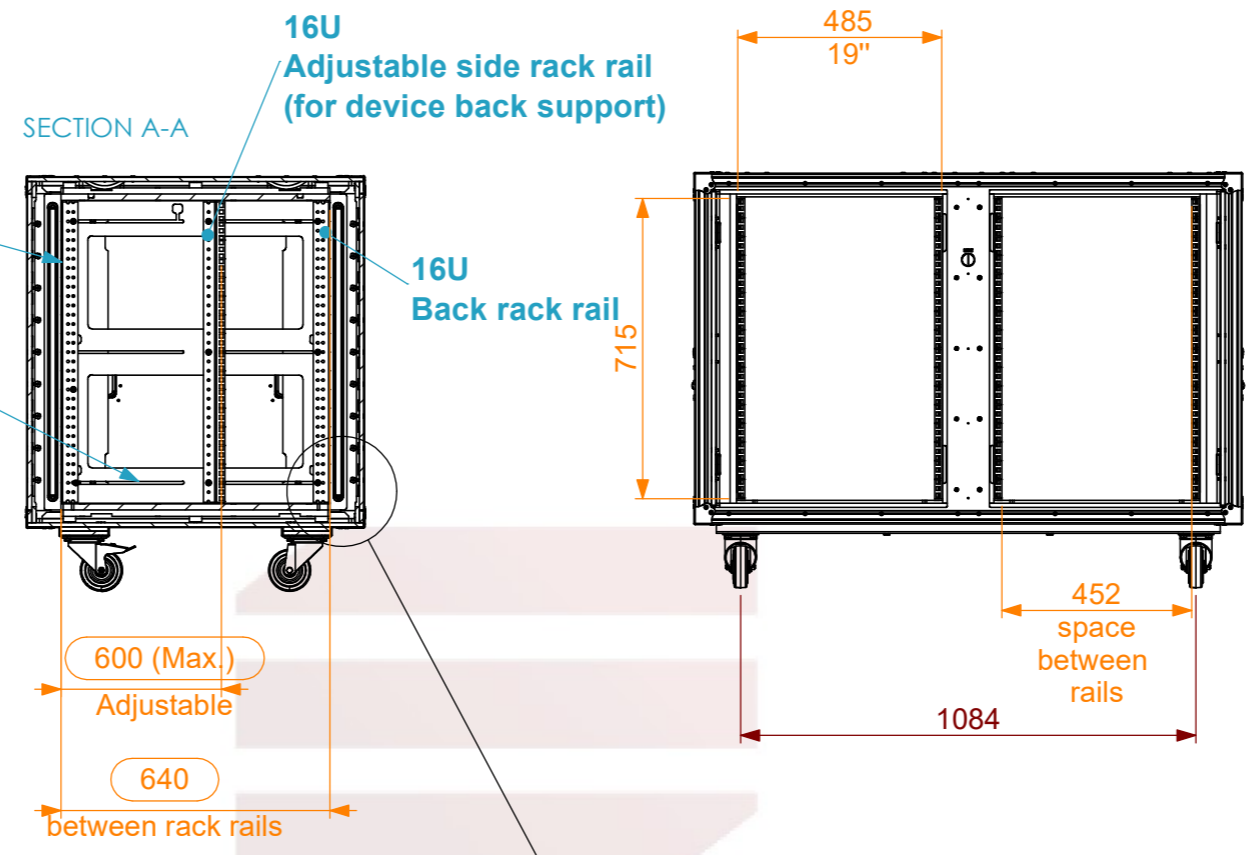


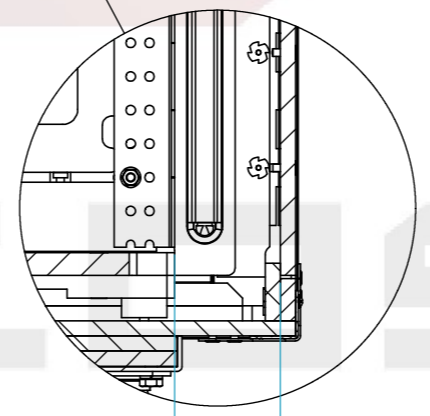
Internal Dimensions		
Width	Depth	Height
2x 19"	800	16U
Weight	Approx. 108 Kg	
Wall Thickness	10mm	



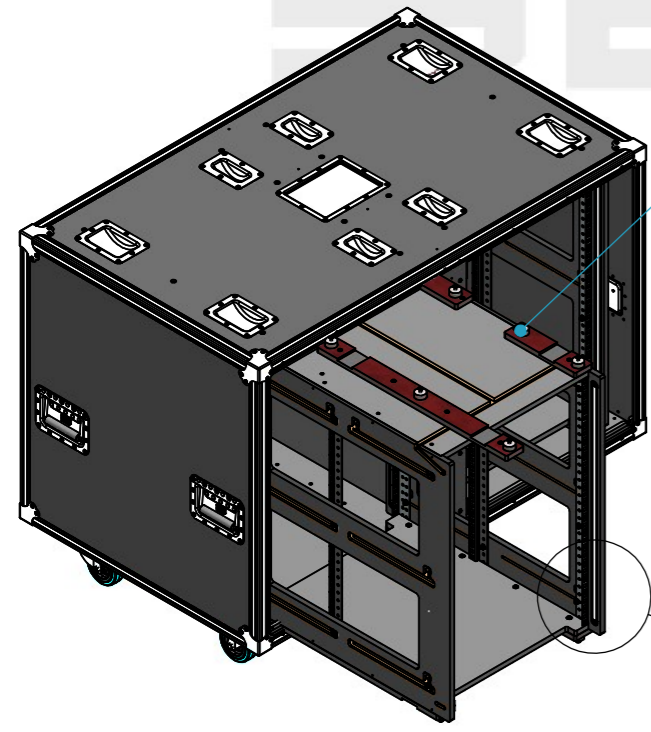
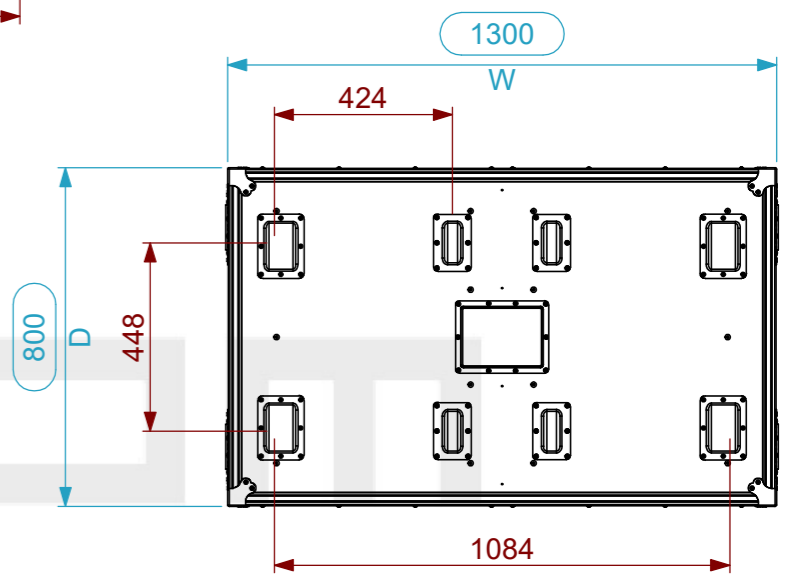
16U Front rack rail
 16U Adjustable side rack rail (for device back support)
 16U Back rack rail
 Free slots for additional side rails



Touch dimmer switch for lighting

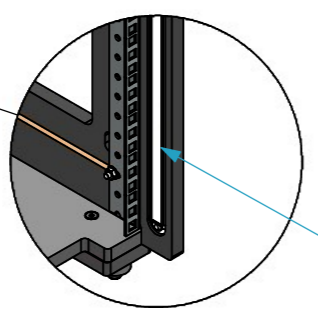
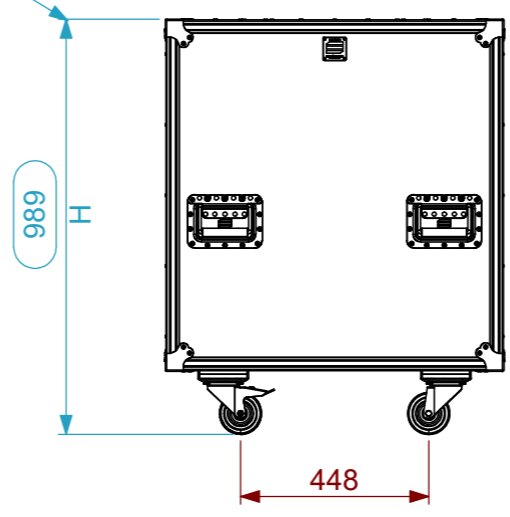


70 inside
 Min. distance between rack rails and door (Front and Back)

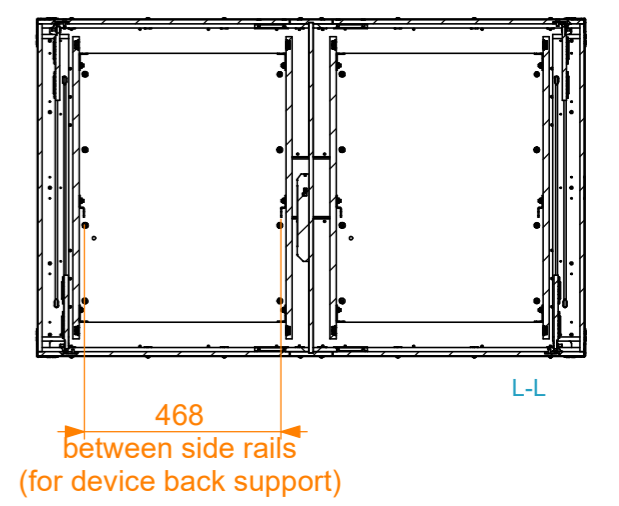


Anti-vibration mounts between the inner rack and the flightcase

Total height with wheels



LED lighting

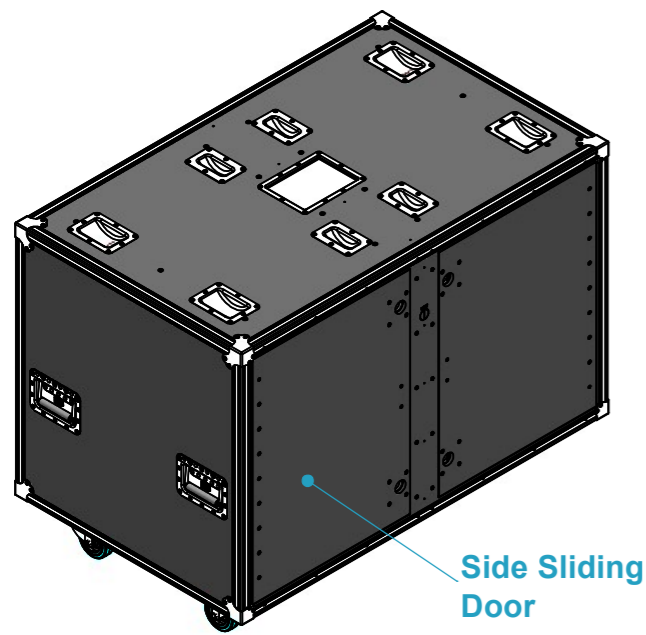


Drawn by	Name	Date
jose.couto	jose.couto	28/05/2026
Reference	RSSD.1680R	
Scale	units in mm	general tolerance
1:18	DO NOT SCALE	0.8mm
1st Angle projection	Rock Double Side Sliding, 16+16U 640-ARR w/ light	

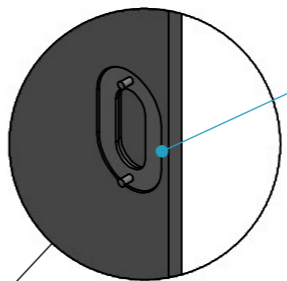
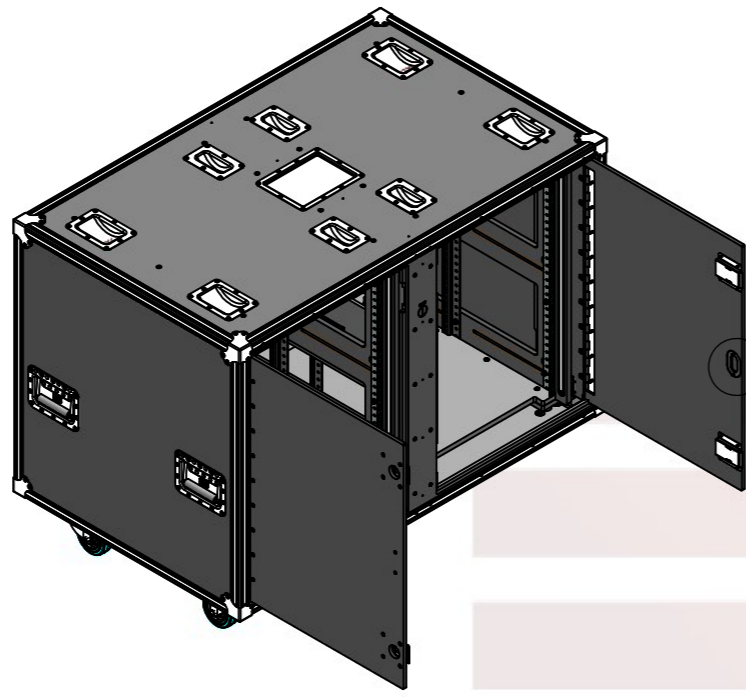


This drawing must not be copied or disclosed without consent of the owner

A3



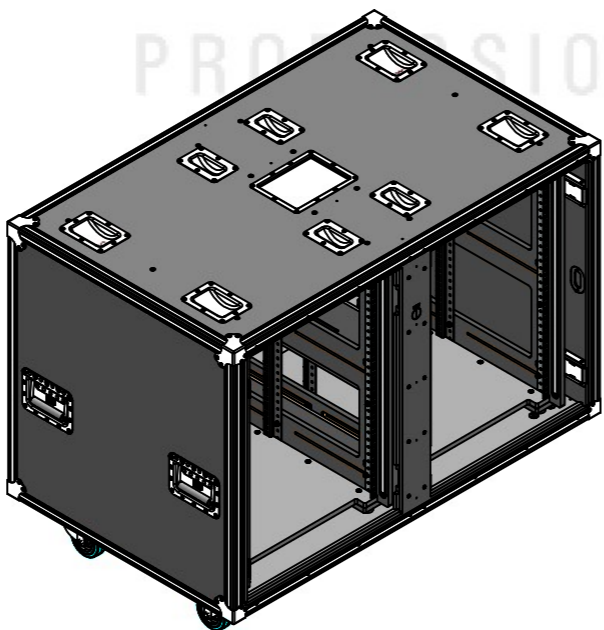
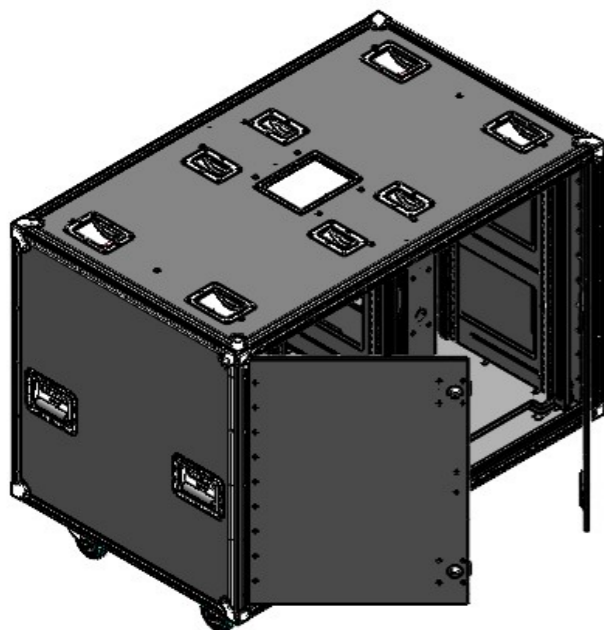
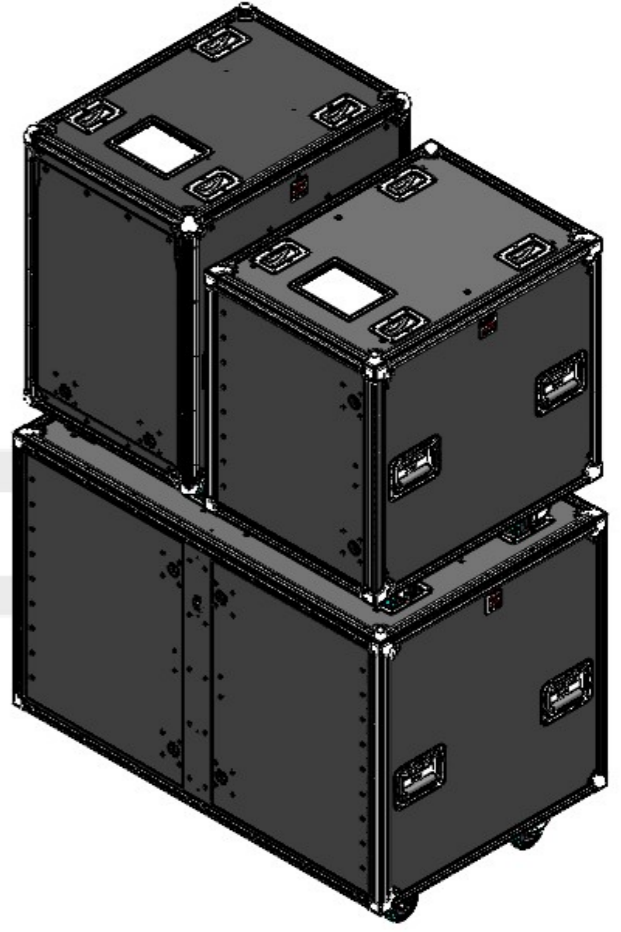
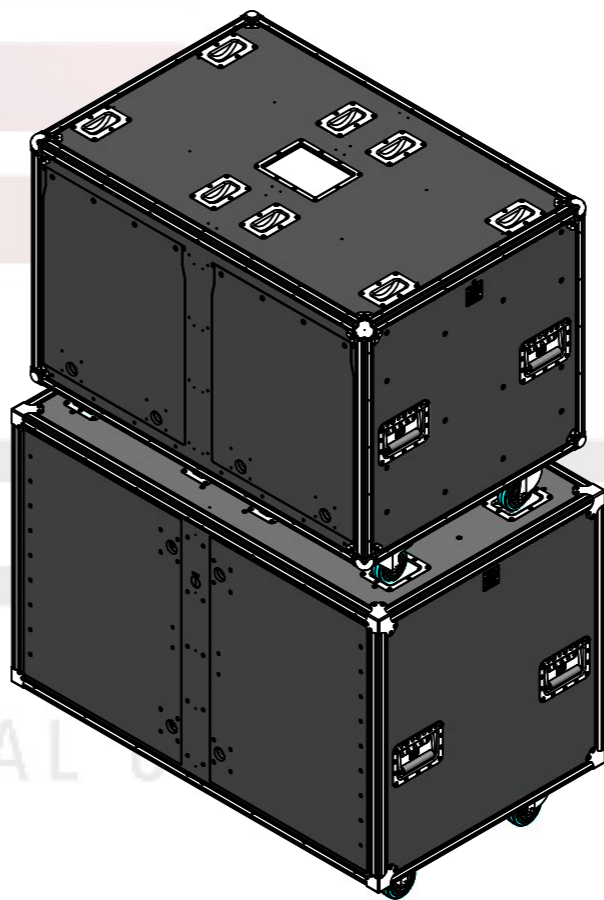
Side Sliding Door



Recessed handle

STACKABLE WITH RTS AND RSS DOUBLE RACKS (1200x800)

STACKABLE WITH RTS AND RSS RACKS (600x800)



SANTOSOM
PROFESSIONAL CASES

Drawn by	Name	Date
jose.coufo	jose.coufo	28/05/2026
Reference	RSSD.1680R	
Scale	units in mm	general tolerance
1:19	DO NOT SCALE	0.8mm
1st Angle projection	Rack Double Side Sliding, 16+16U 640-ARR w/light	

This drawing must not be copied or disclosed without consent of the owner



A3