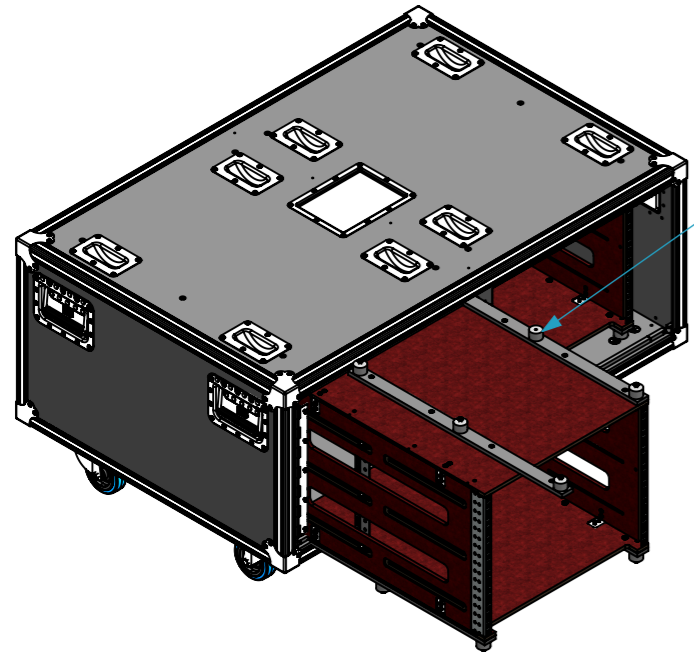
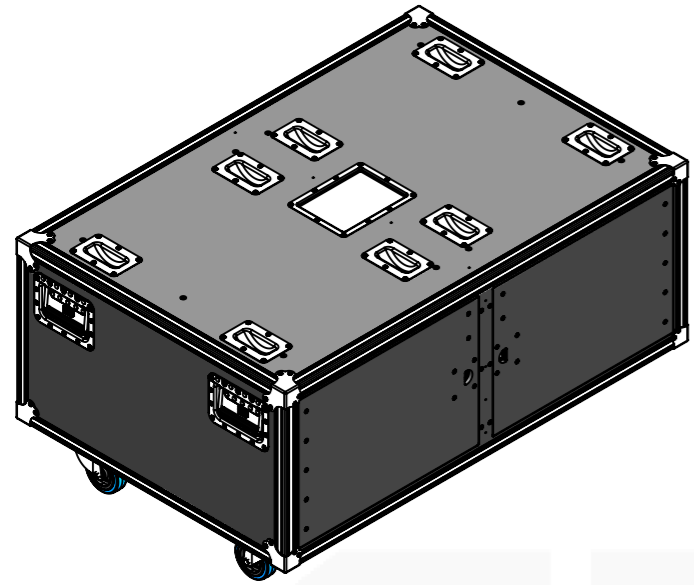
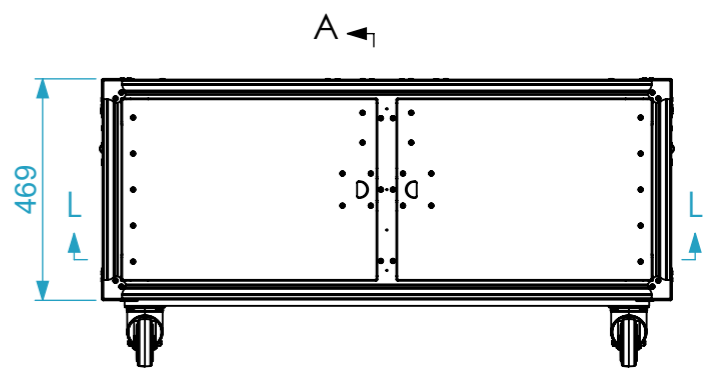
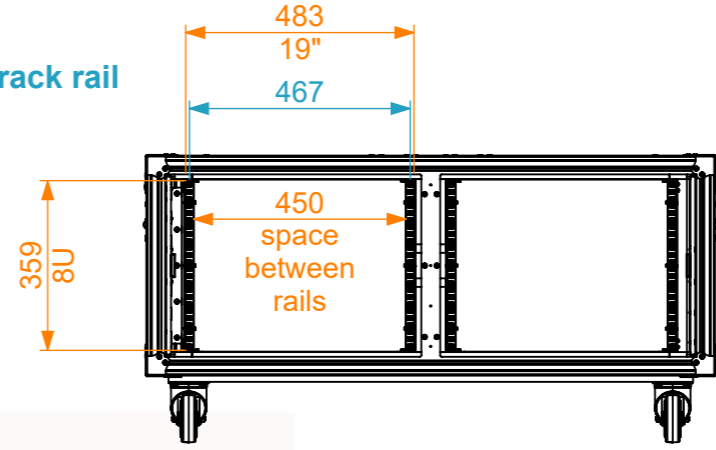
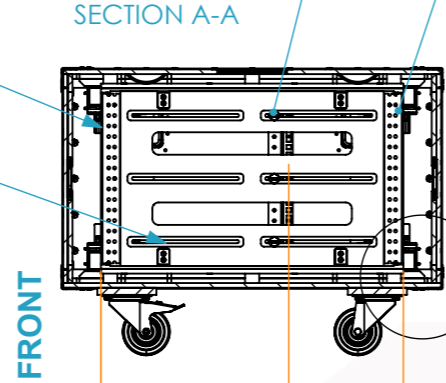


Internal Dimensions		
Width	Depth	Height
2x 19"	800	8U
Weight	Approx. 68 Kg	
Wall Thickness		10mm

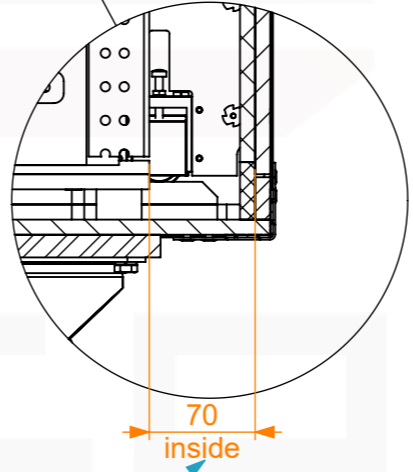


8U Front rack rail  
Free slots for additional side rails

8U Adjustable side rack rail (for device back support)  
8U Back rack rail



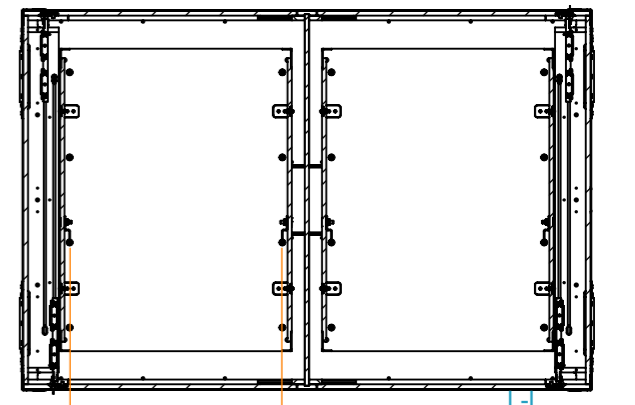
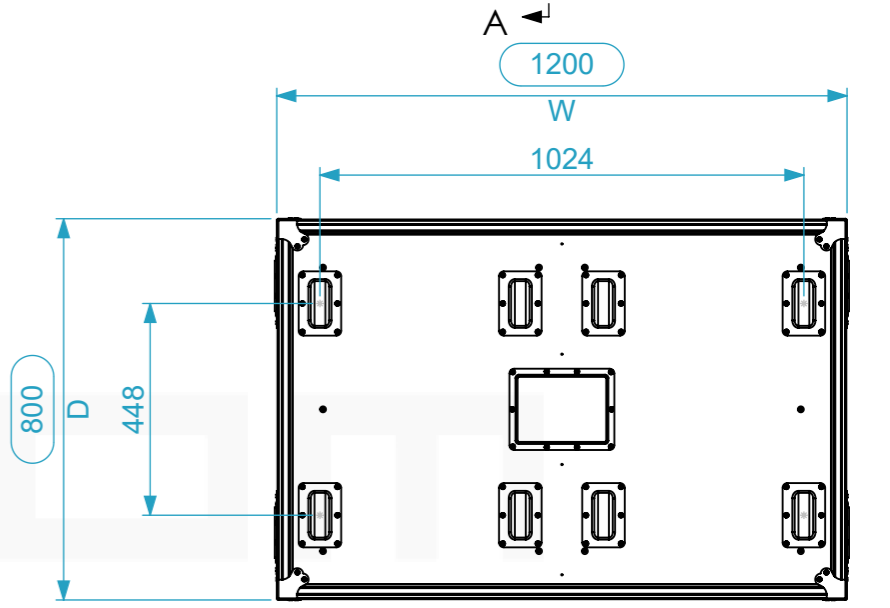
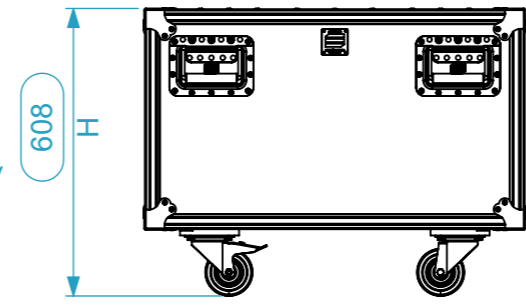
520 (Max.) Adjustable  
640 between rack rails



Min. distance between rack rails and door (Front and Back)

Anti-vibration mounts between the inner rack and the flightcase

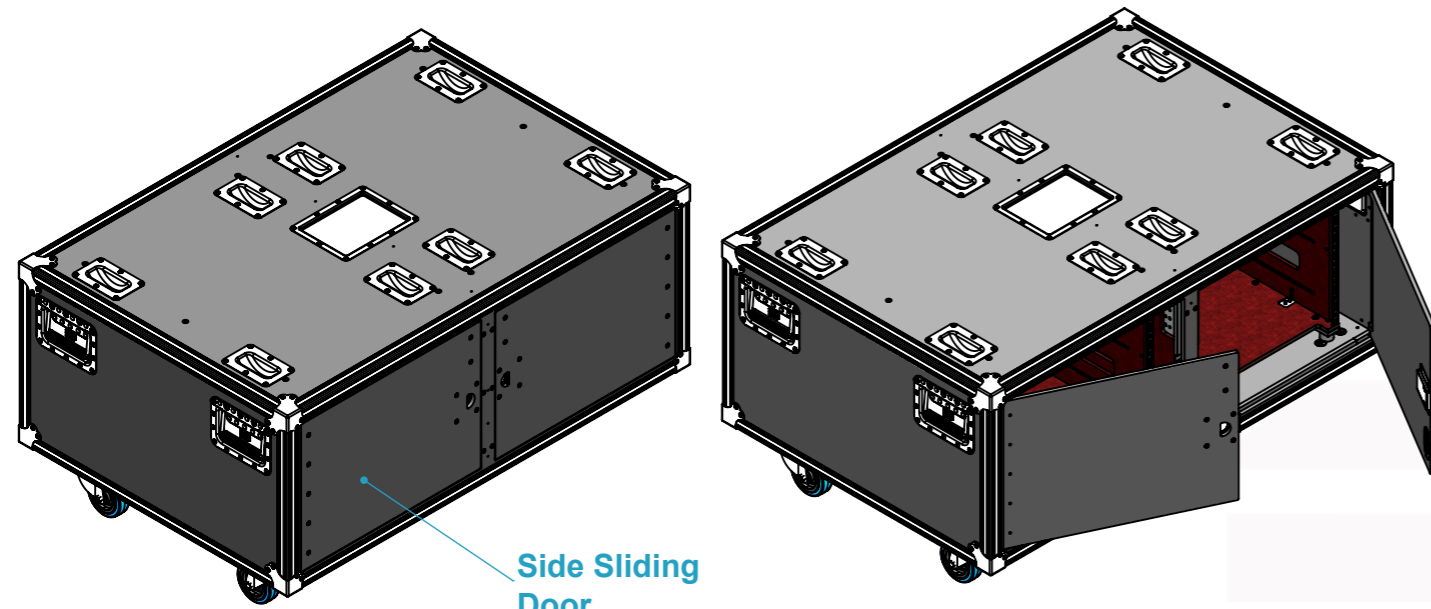
Total height with wheels



Name	Date	
Drawn by	CarlaSilva	06/09/2023
Reference	RSSD.0880R	
Scale	units in mm	general tolerance
1:16	DO NOT SCALE	0.8mm
1st Angle projection	Rack Double Side Sliding-Rack, 8+8U 640 (ARS)	

This drawing must not be copied or disclosed without consent of the owner

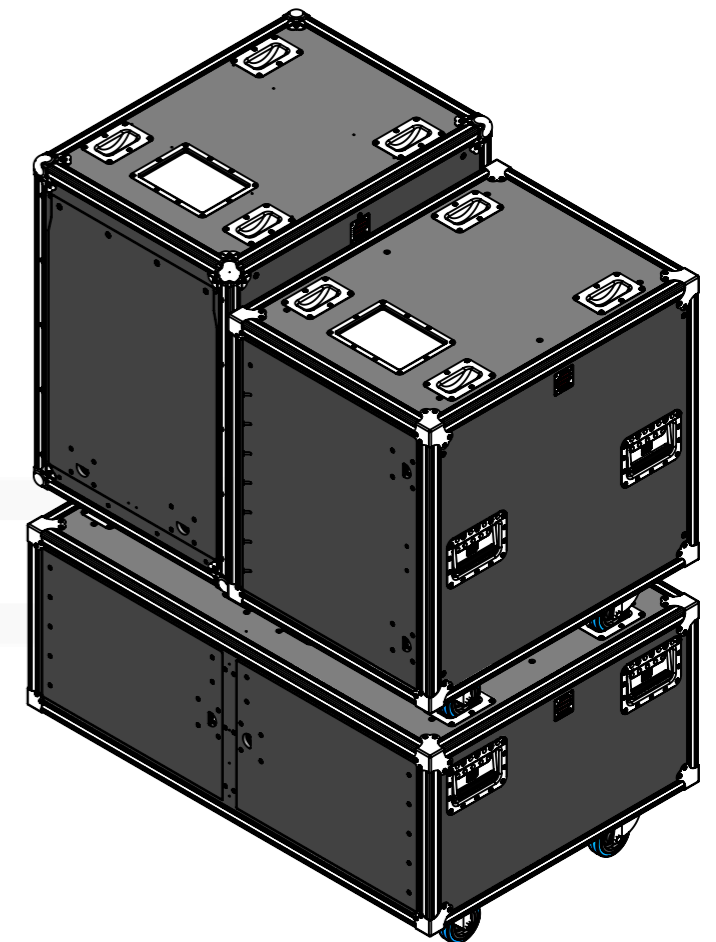
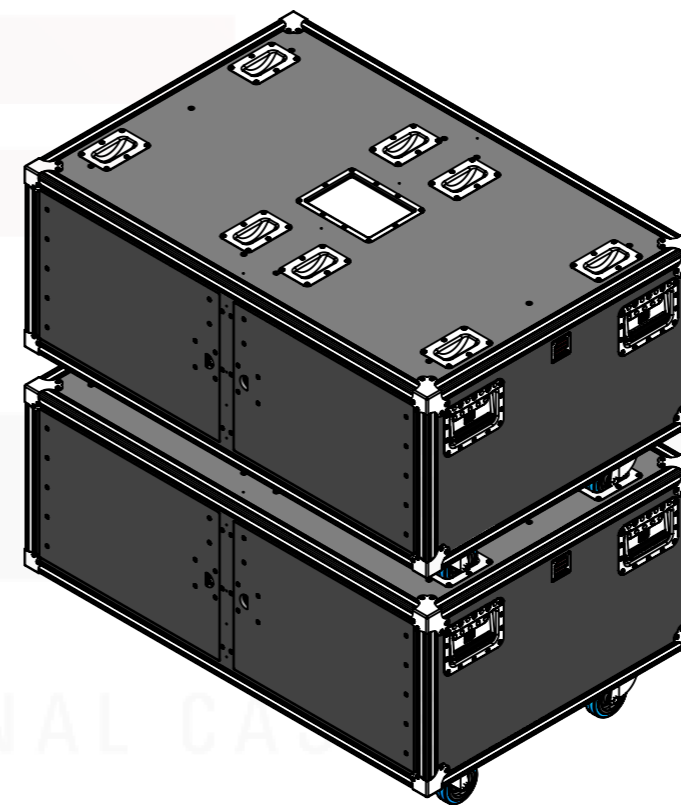
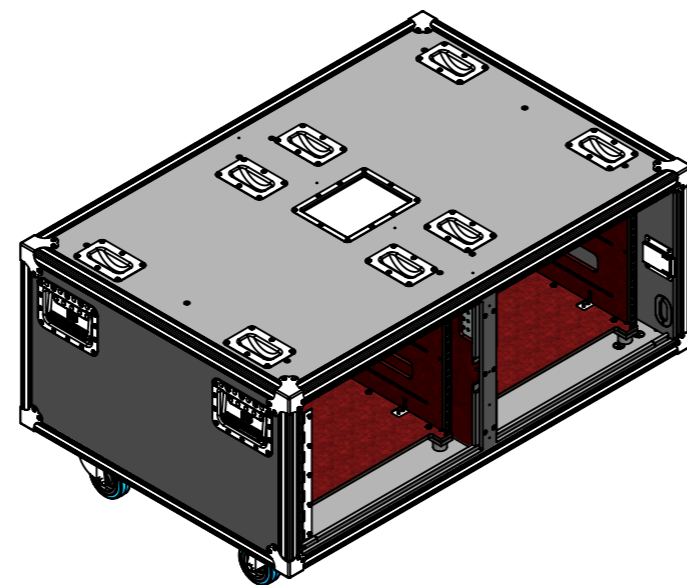
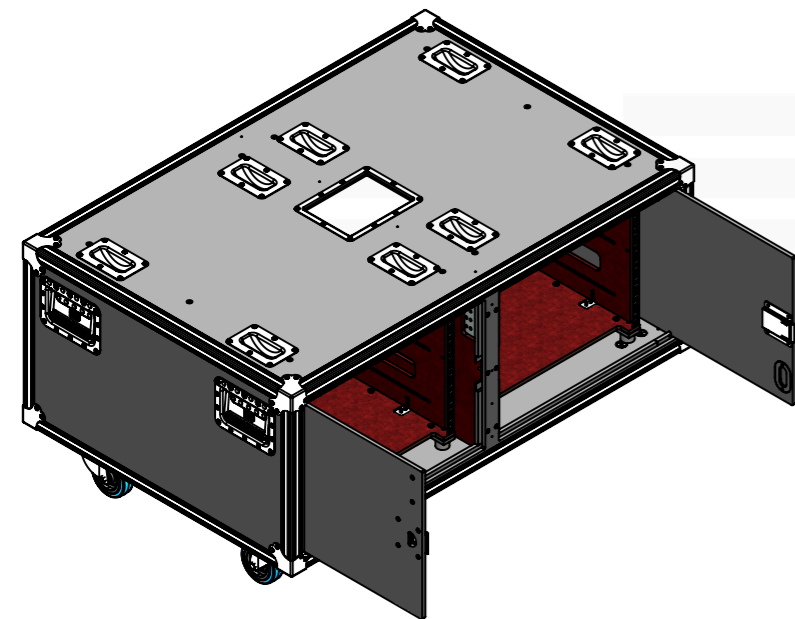




Side Sliding Door

STACKABLE WITH RTS  
AND RSS DOUBLE  
RACKS (1200x800)

STACKABLE WITH RTS  
AND RSS RACKS (600x800)



PROFESSIONAL CASES

Drawn by	Name	Date
CarlaSilva	CarlaSilva	06/09/2023
Reference	RSSD.0880R	
Scale	units in mm	general tolerance
1:16	DO NOT SCALE	0.8mm
1st Angle projection	Rack Double Side Sliding-Rack, 8+8U 640 (ARS)	

This drawing must not be copied or disclosed without consent of the owner

A3

