

Internal Dimensions		
Width	Depth	Height
19"	630	3U
Weight	Approx. 27 Kg	
Wall Thickness	10mm	

3U Front rack rail

3U Adjustable side rack rail (for device back support)

3U Back rack rail

Free slots for additional side rails

590 (Max.)
Adjustable
630
between rack rails

Min. distance between rack rails and door

Total height with wheels (optional)

386

Anti-vibration mounts between the inner rack and the flightcase

Optional removable skate
Ref: SKTRSS2.80

SECTION A-A

FRONT

19"

60 inside

258

246

A

A

600

370

800

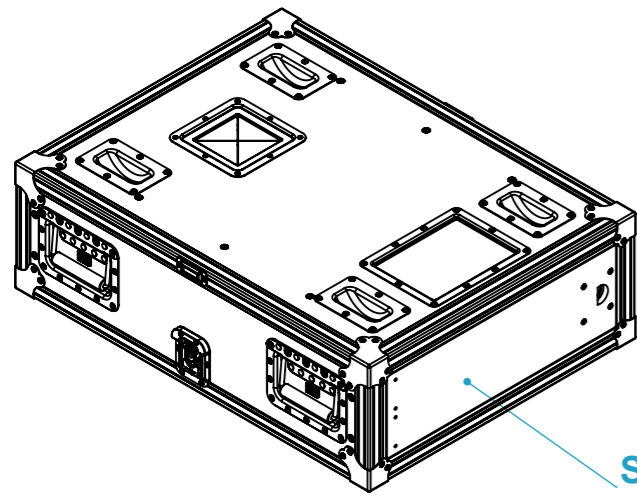
536

Drawn by	Name	Date
alexandre	alexandre	19/03/2020
Reference	RSS2.0380	
Scale	units in mm	general tolerance
1:1	DO NOT SCALE	0.8mm
1st Angle projection	Rack Compact Sliding 2, 3U 630-ARR	

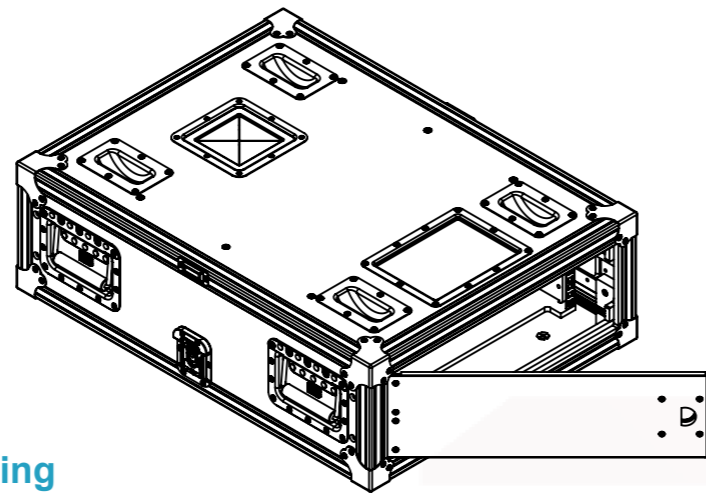


This drawing must not be copied or disclosed without consent of the owner

A3

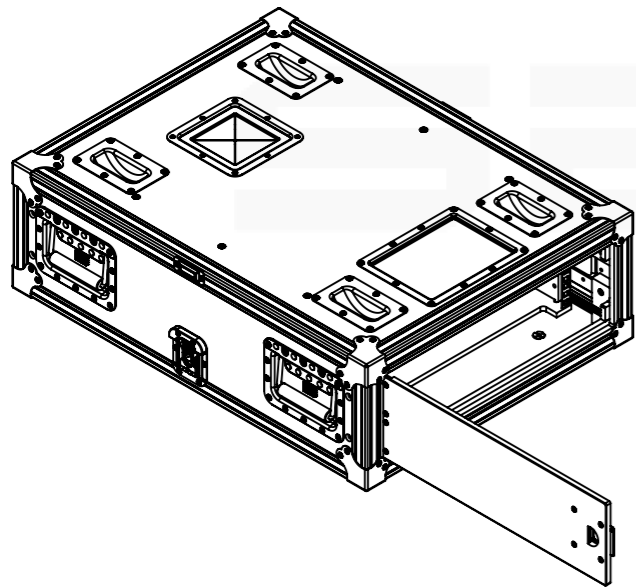
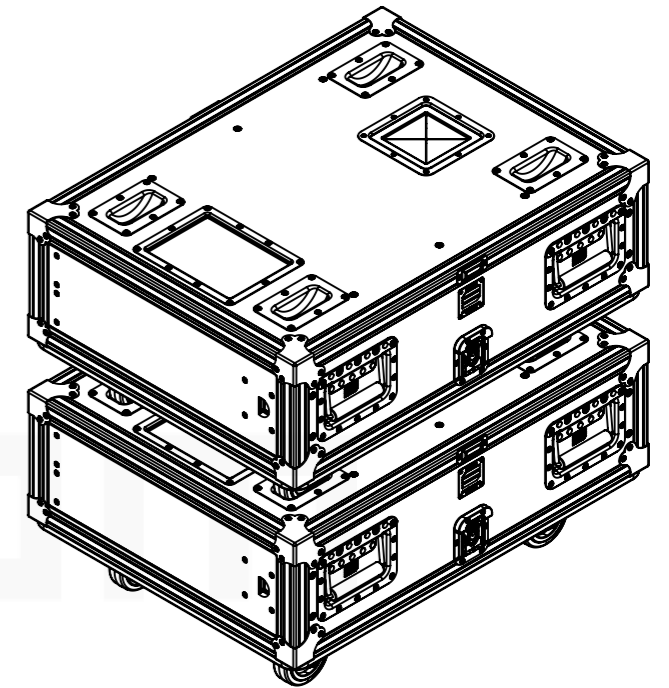
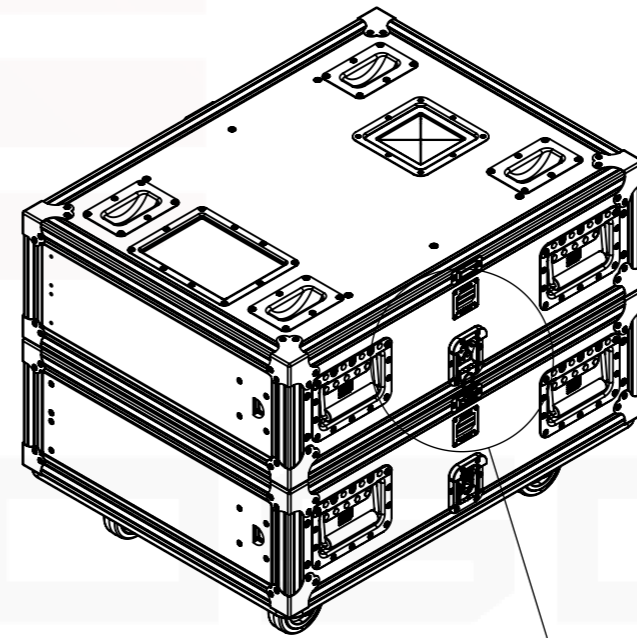


Side Sliding Door

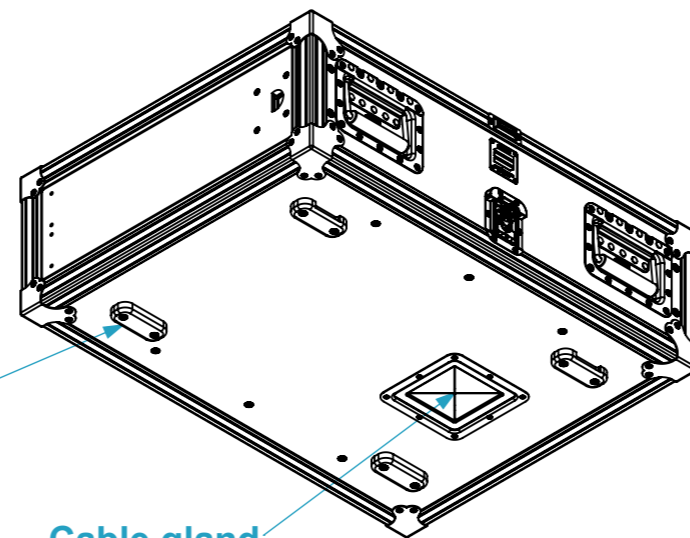
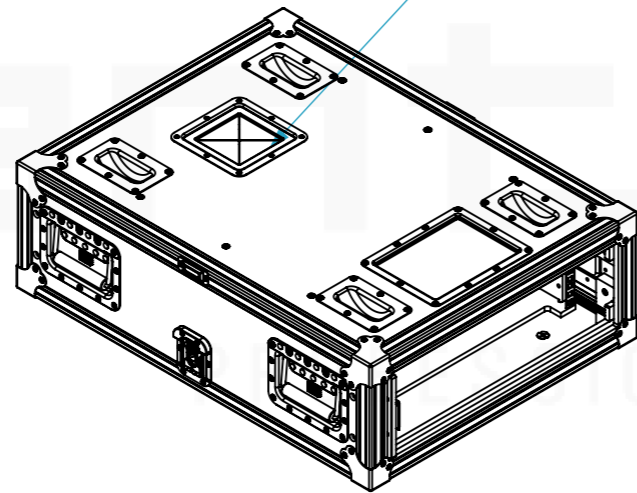


STACKING WITHOUT WHEELS

STACKING ON WHEELS

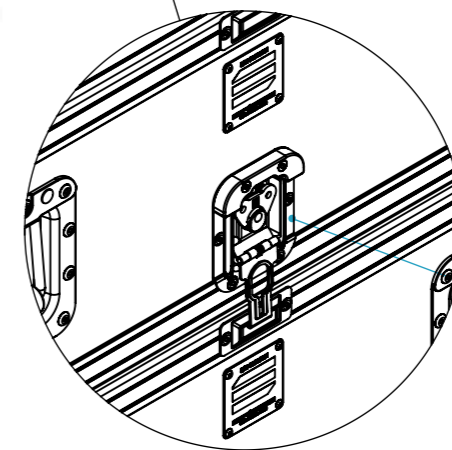


Cable gland



Plastic feet

Cable gland



Overlatch Butterfly latch with plastic protection

Drawn by	Name	Date
alexandre	alexandre	19/03/2020
Reference	RSS2.0380	
Scale	units in mm	general tolerance
1:12	DO NOT SCALE	0.8mm
1st Angle projection	Rack Compact Sliding 2, 3U 630-ARR	

This drawing must not be copied or disclosed without consent of the owner

A3

