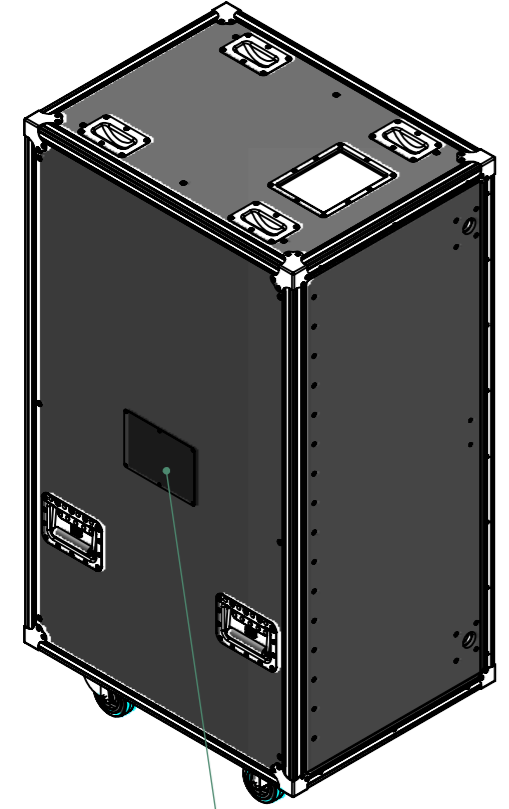
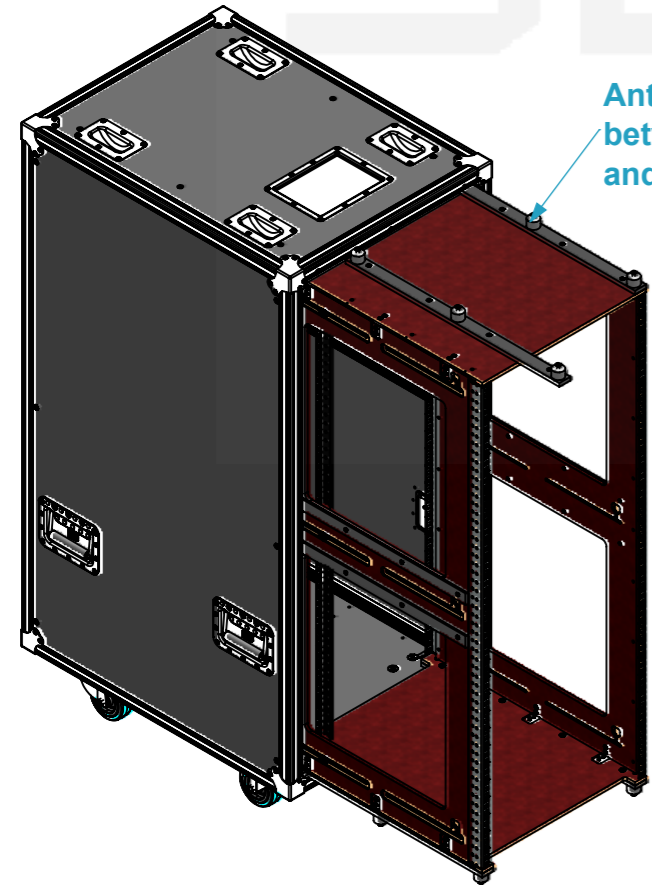


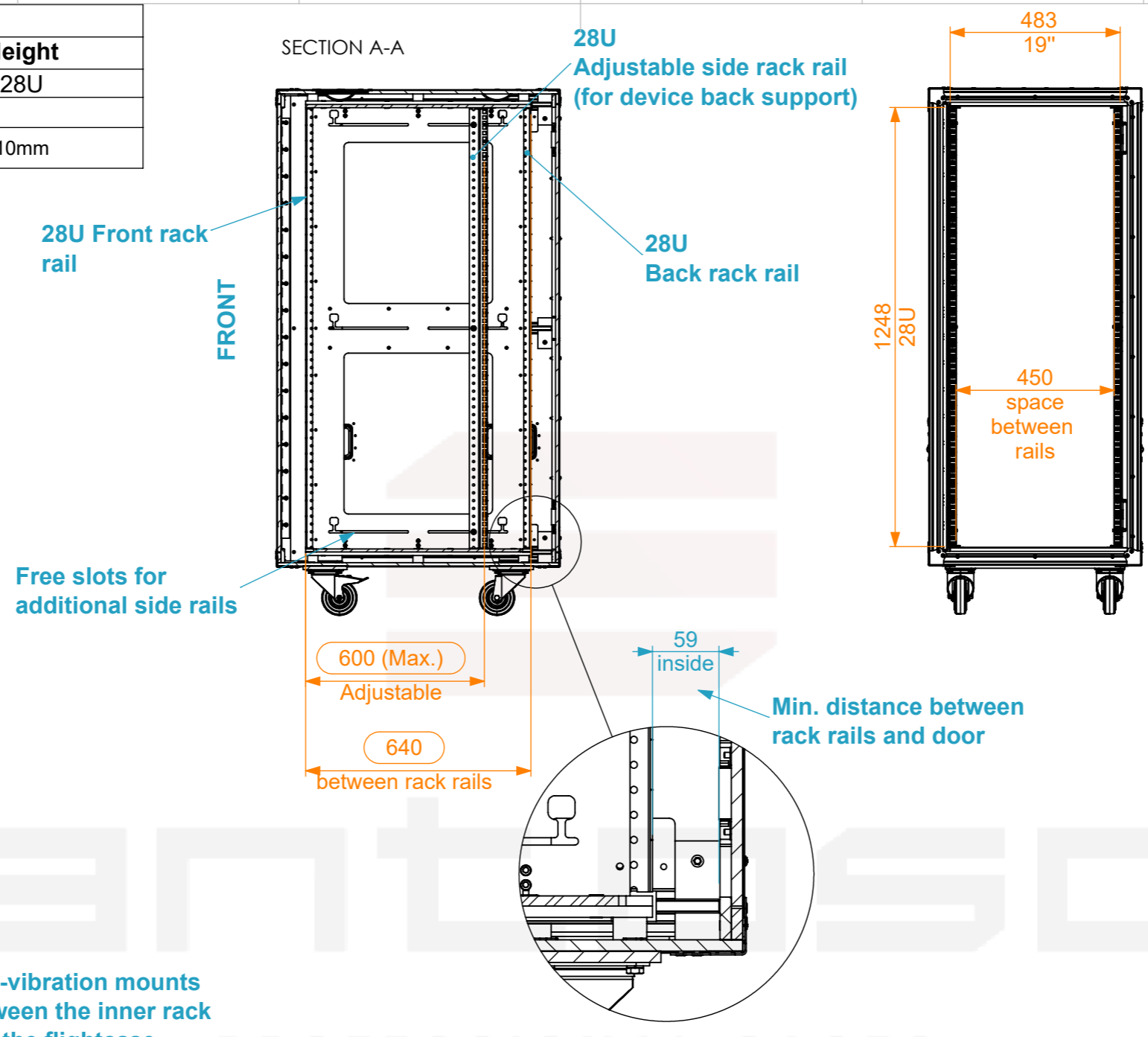
Internal Dimensions		
Width	Depth	Height
19"	800	28U
Weight	Approx. 70 Kg	
Wall Thickness	10mm	



Optional printing plate



Anti-vibration mounts between the inner rack and the flightcase



28U Front rack rail

28U Adjustable side rack rail (for device back support)

28U Back rack rail

Free slots for additional side rails

600 (Max.) Adjustable between rack rails

640 between rack rails

59 inside

Min. distance between rack rails and door

Total height with wheels

1495 H

800 D

448

600 W

424

448 between side rails (for device back support)

Name	Date
Drawn by paula.almeida	10/10/2025
Reference	RSS.2880R
Scale	1:16
units in mm	general tolerance 0.8mm
DO NOT SCALE	
1st Angle projection	Rack Side Sliding, 28U 640-ARR

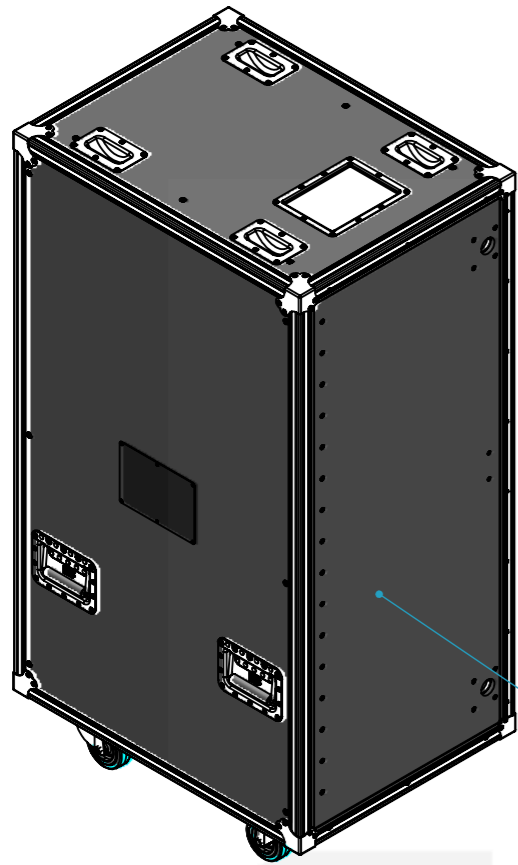


This drawing must not be copied or disclosed without consent of the owner

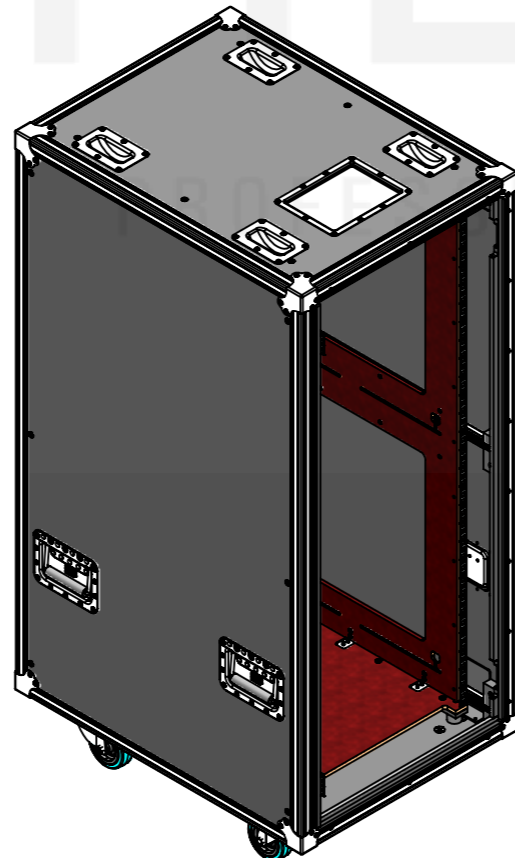
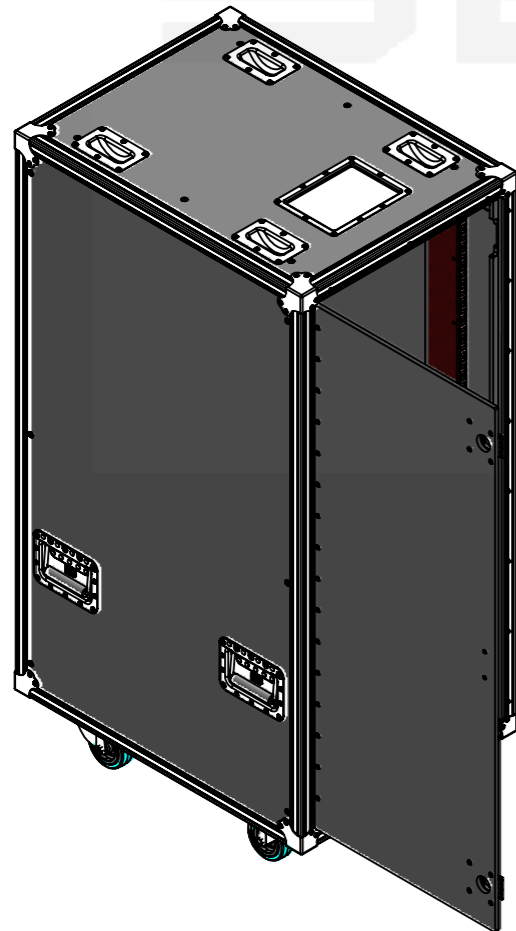
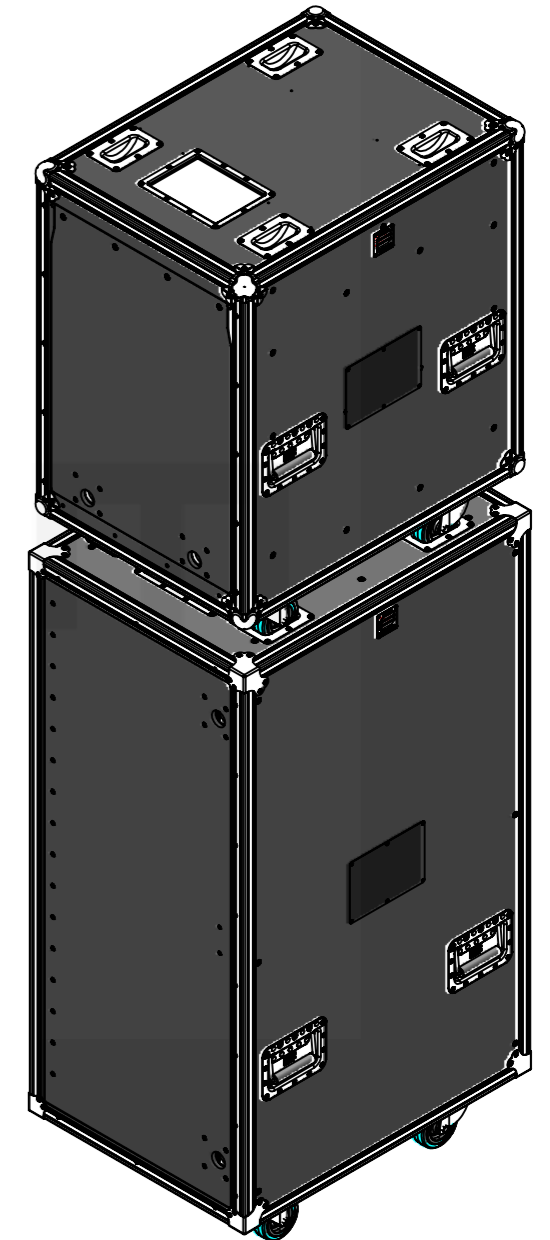
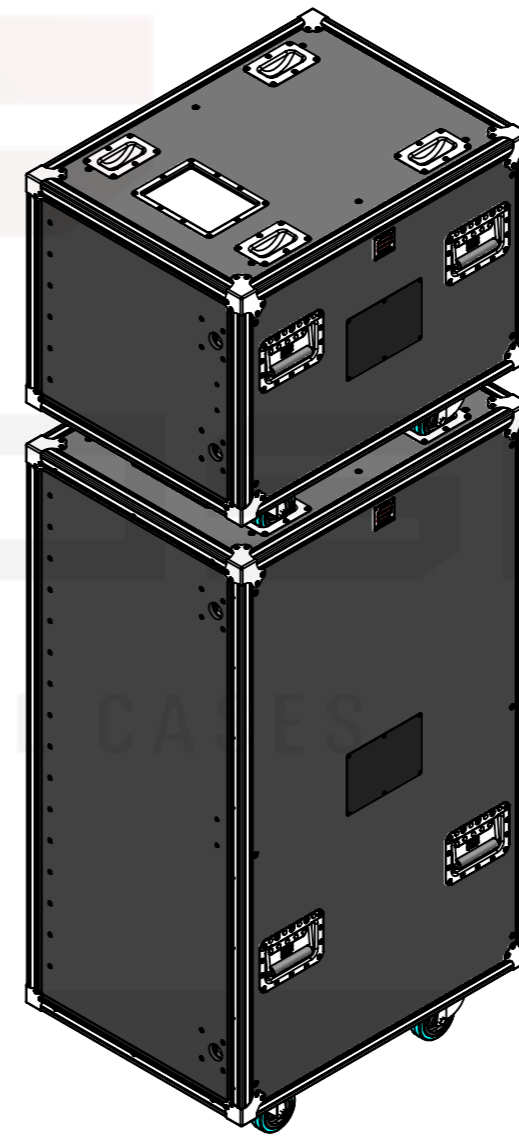
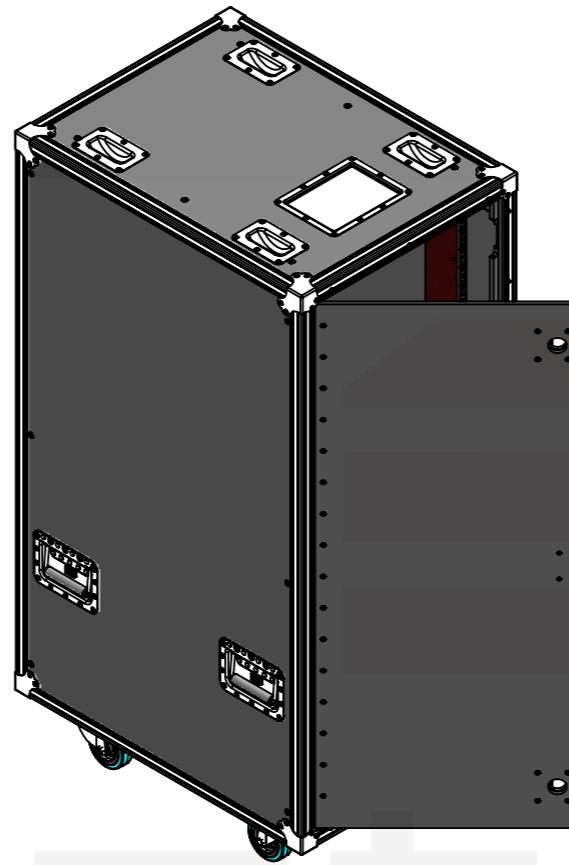
A3

STACKABLE

STACKABLE IN RTS  
RACKS (800mm Depth)



Side Sliding Door



Drawn by	Name	Date
paula.almeida		10/10/2025
Reference	RSS.2880R	
Scale	units in mm	general tolerance
1:15	DO NOT SCALE	0.8mm
	Rack Side Sliding, 28U 640-ARR	

This drawing must not be copied or disclosed without consent of the owner



A3

