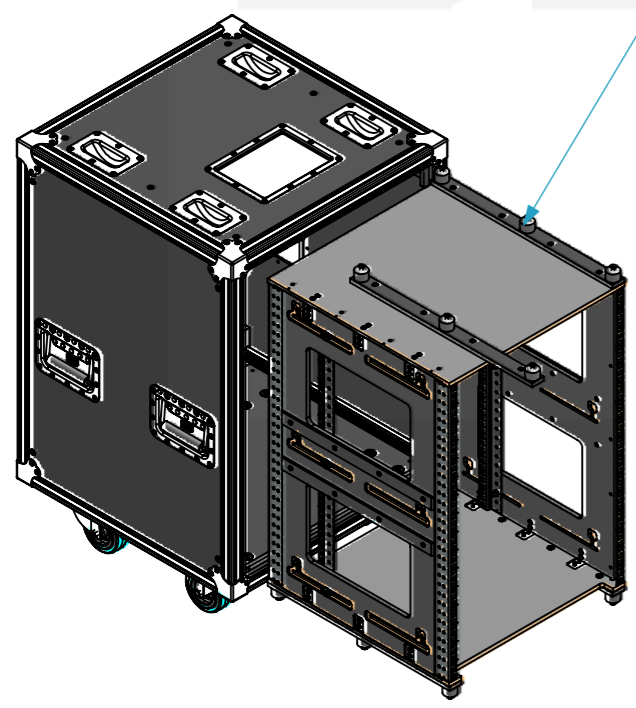
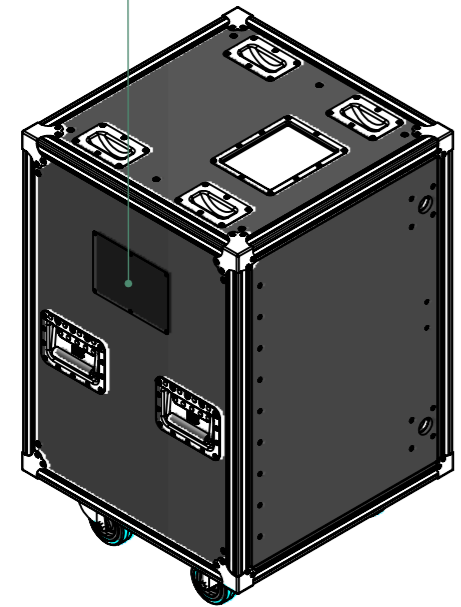


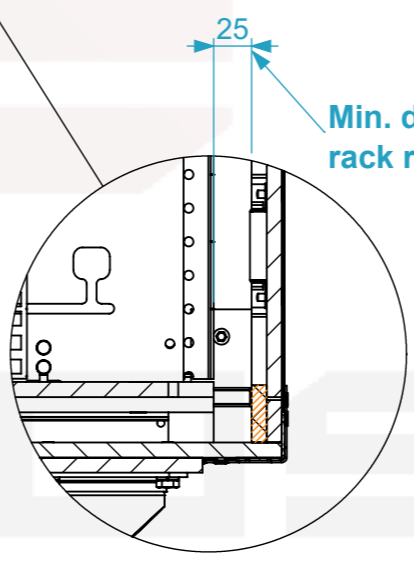
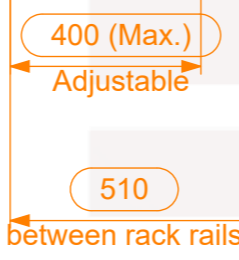
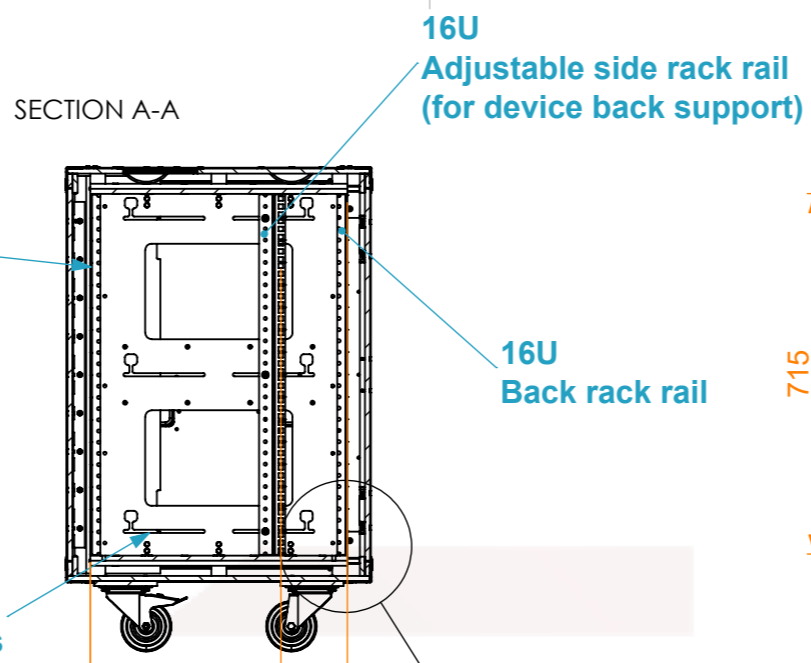
Internal Dimensions		
Width	Depth	Height
19"	600	16U
Weight	Approx. 45 Kg	
Wall Thickness	10mm	

Optional printing plate

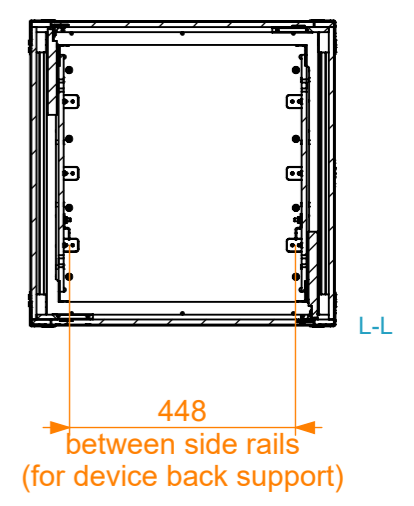
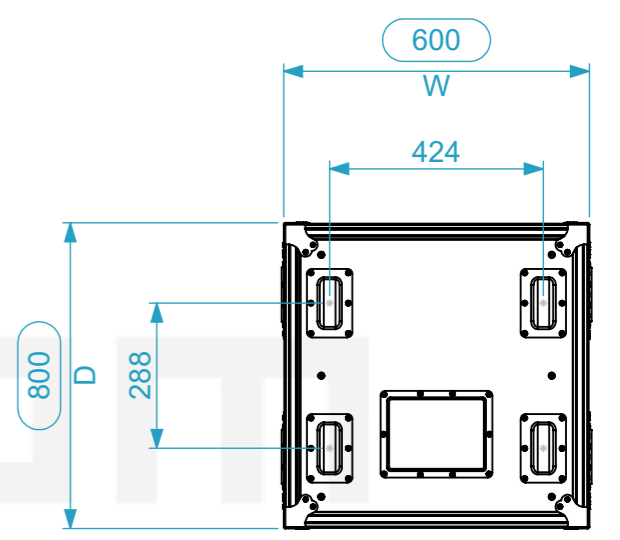
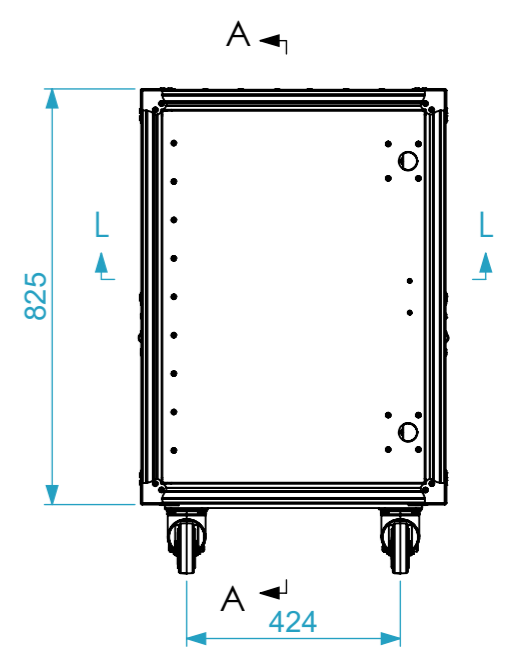
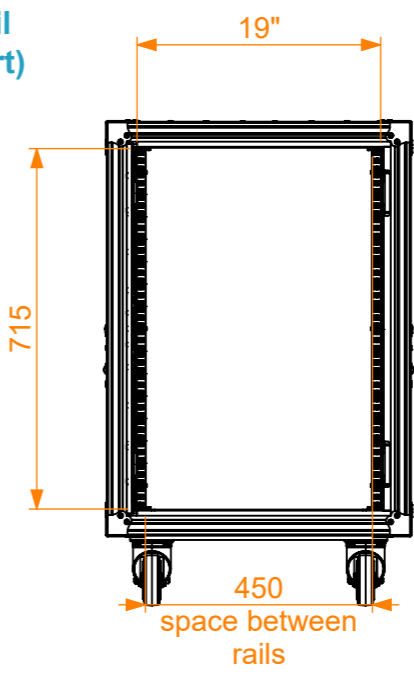


Anti-vibration mounts between the inner rack and the flightcase

Total height with wheels



Min. distance between rack rails and door

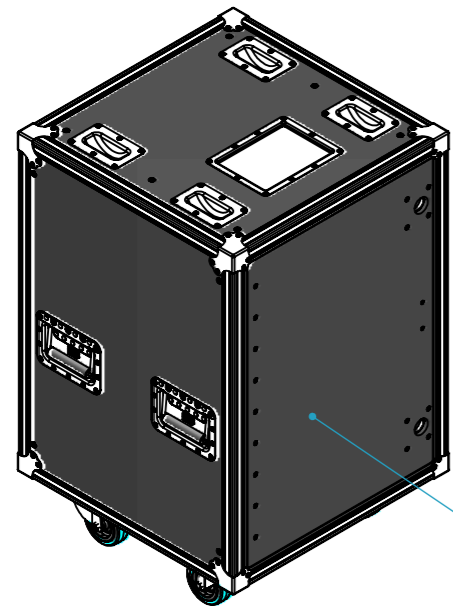


Drawn by	Name	Date
paula.almeida	paula.almeida	23/12/2025
Reference	RSS.1660R	
Scale	units in mm	general tolerance
1:15	DO NOT SCALE	0.8mm
1st Angle projection	Rack Side Sliding, 16U 510-BRR	

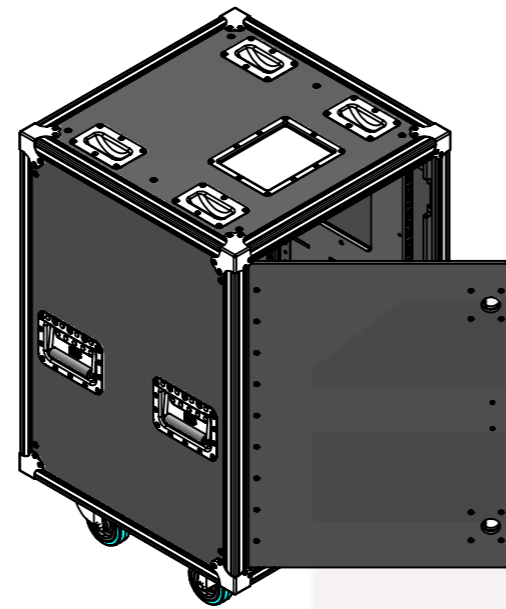


This drawing must not be copied or disclosed without consent of the owner

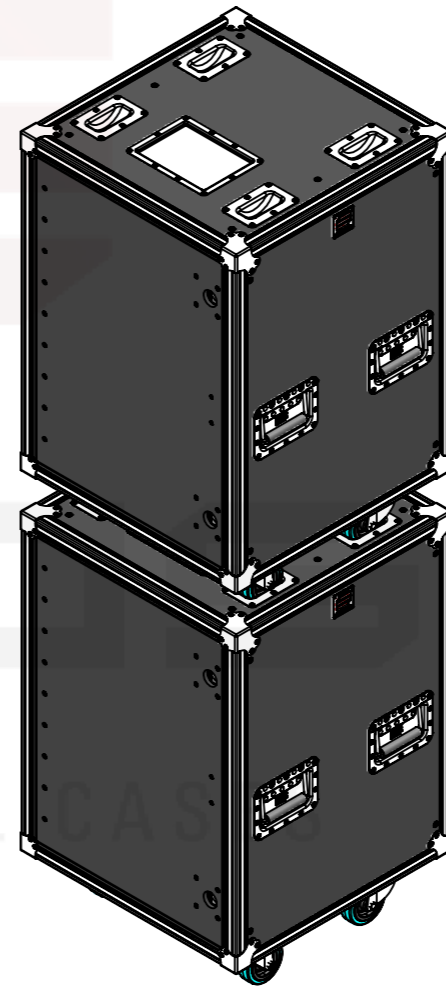
A3



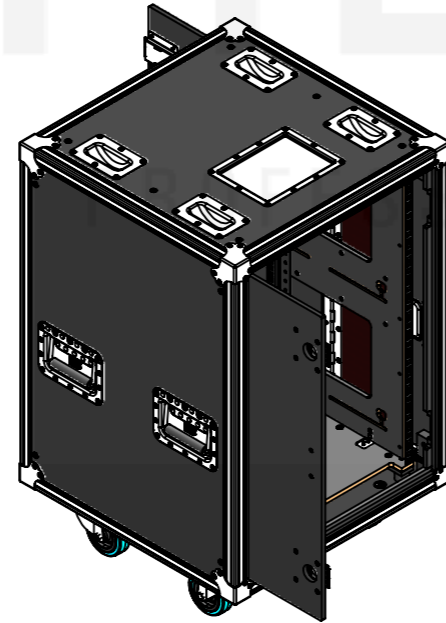
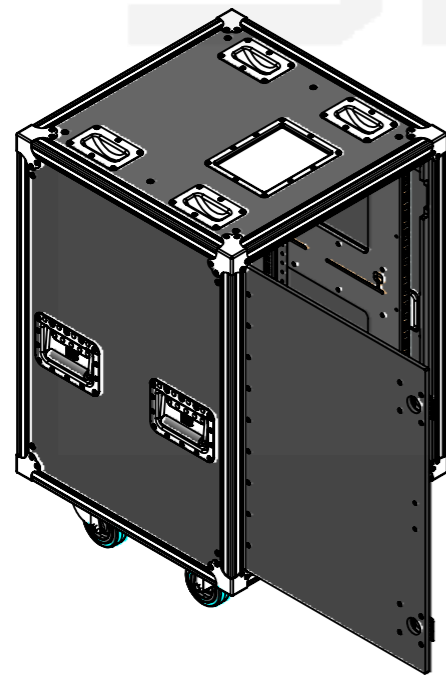
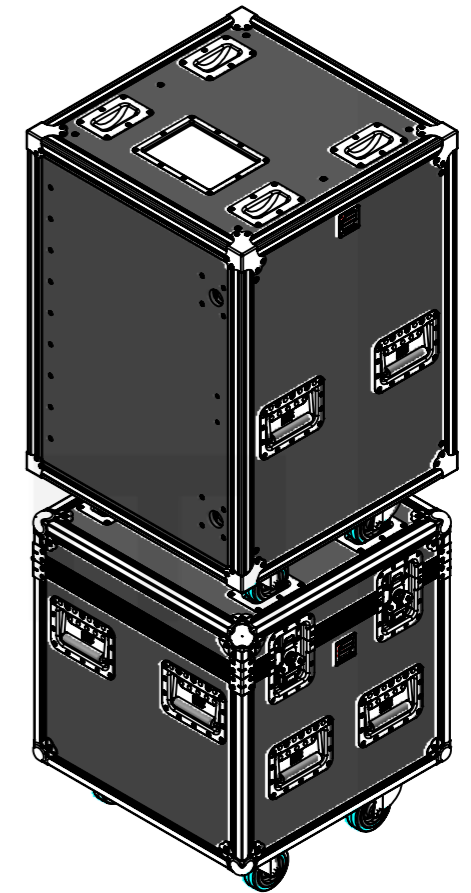
Side Sliding Door



STACKABLE



STACKABLE IN TRUNK  
(600mm Depth)



	Name	Date
Drawn by	paula.almeida	23/12/2025
Reference	RSS.1660R	
Scale	units in mm	general tolerance
	1:15	0.8mm
1st Angle projection	Rack Side Sliding, 16U 510-BRR	

This drawing must not be copied or disclosed without consent of the owner

A3

