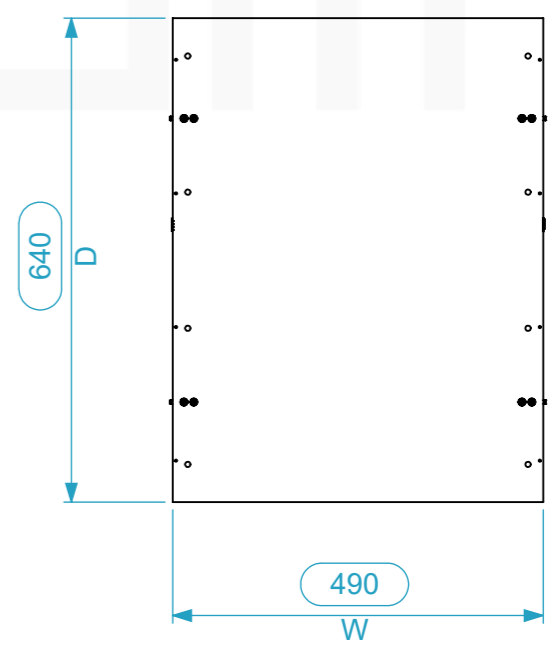
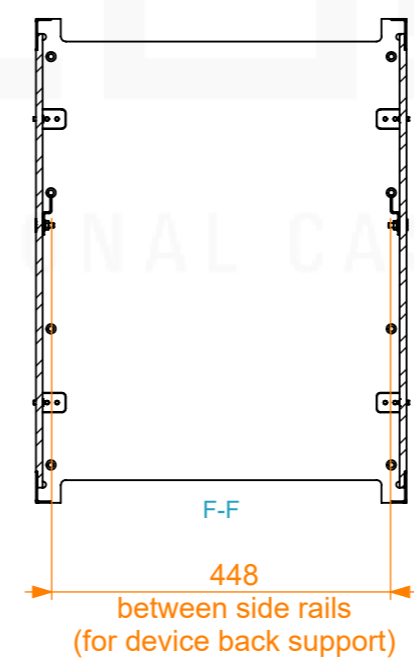
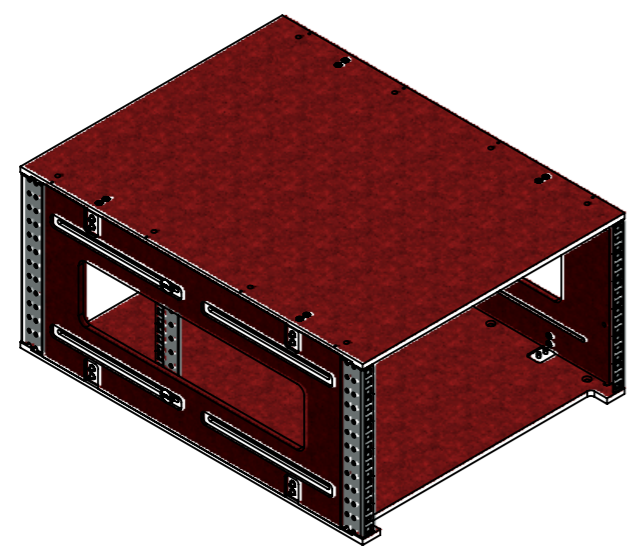
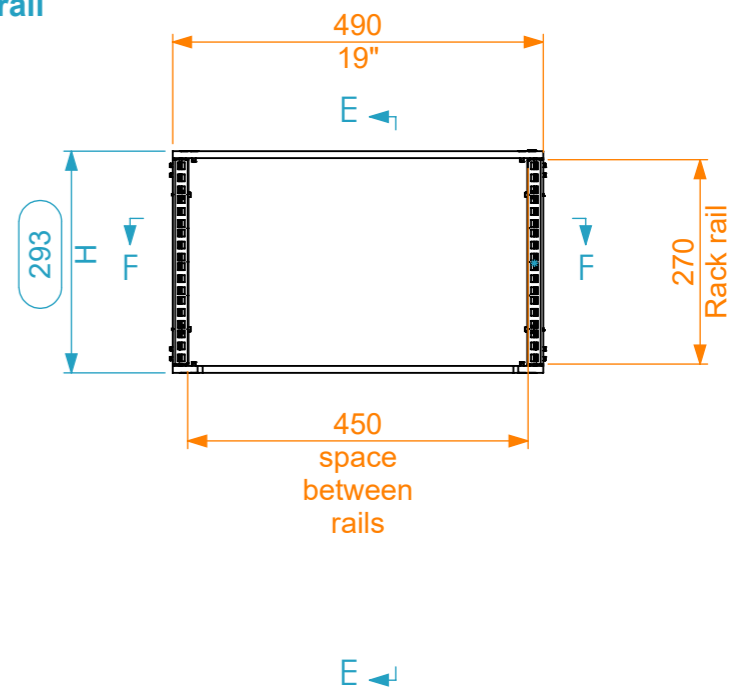
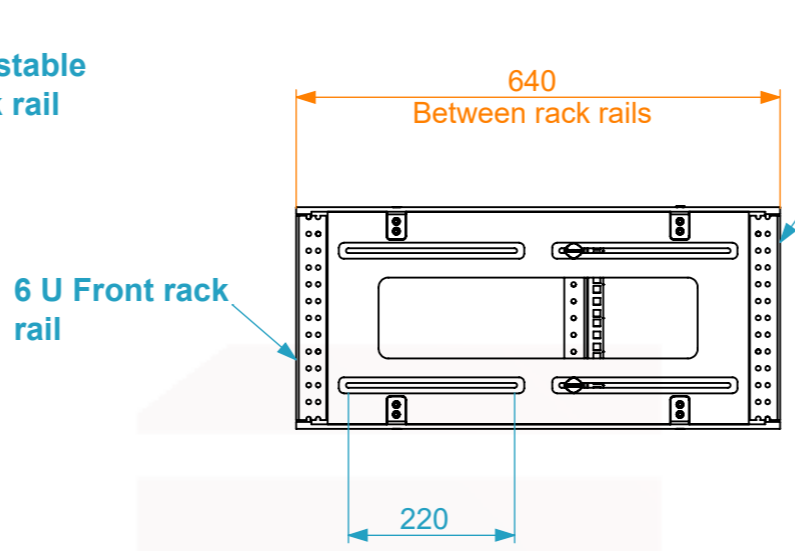
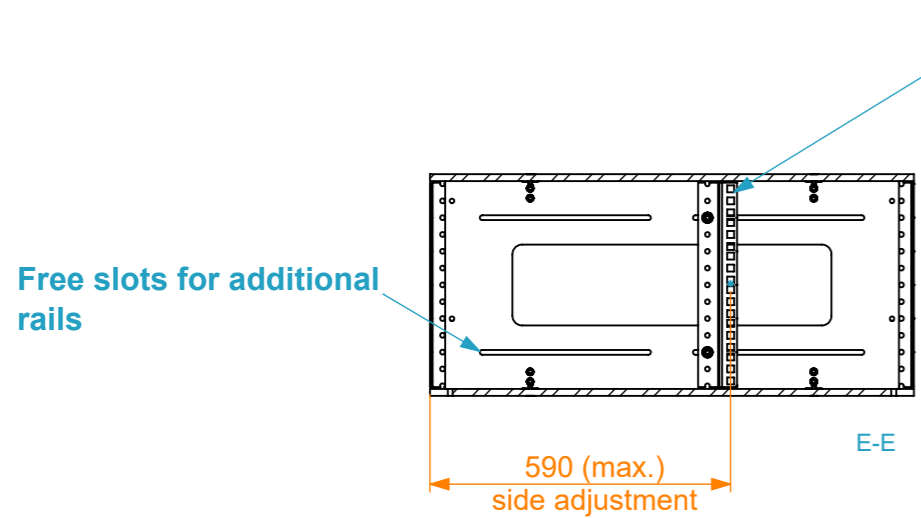


Internal Dimensions		
Width	Depth	Height
19"	490	6 U
Weight	Approx. 7 Kg	
Wall Thickness	9mm	



Drawn by	Name	Date
CarlaSilva	CarlaSilva	12/01/2024
Reference	RSS.0680.C01	
Scale	units in mm	general tolerance
1:10	DO NOT SCALE	0.8mm
Rack interior, 6U 640 p/ Sliding Rack RSS		

This drawing must not be copied or disclosed without consent of the owner



A3