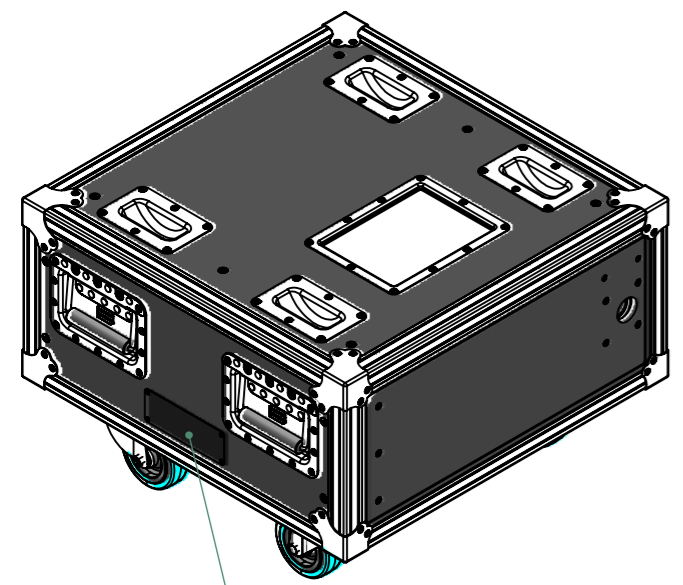
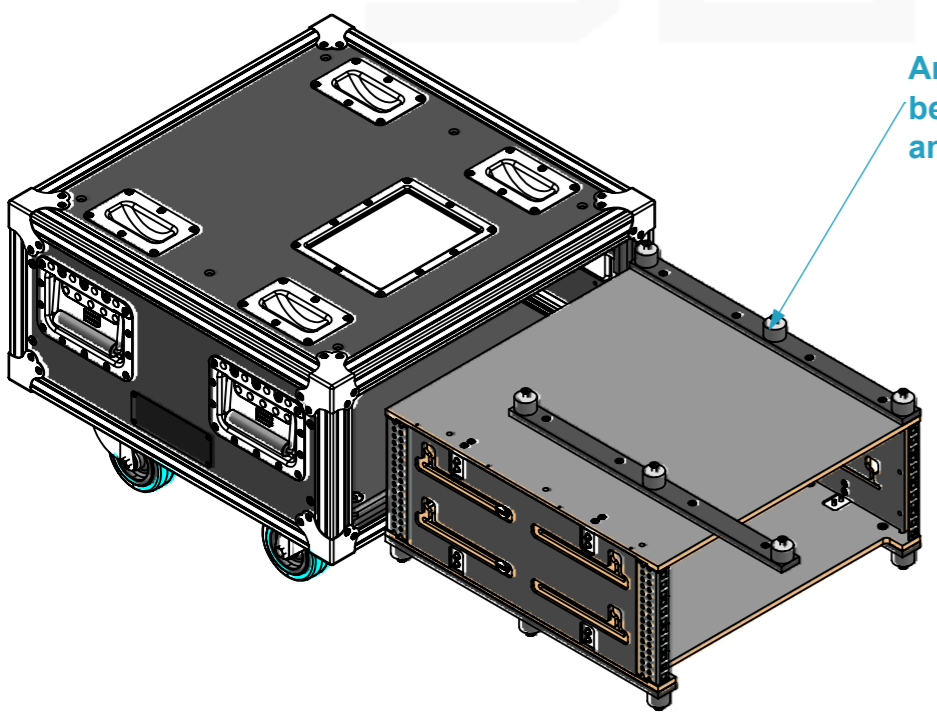


Internal Dimensions		
Width	Depth	Height
19"	600	4U
Weight	Approx. 29 Kg	
Wall Thickness	10mm	

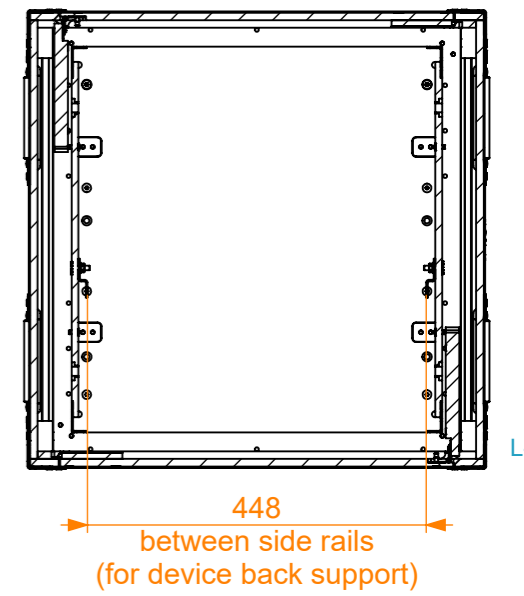
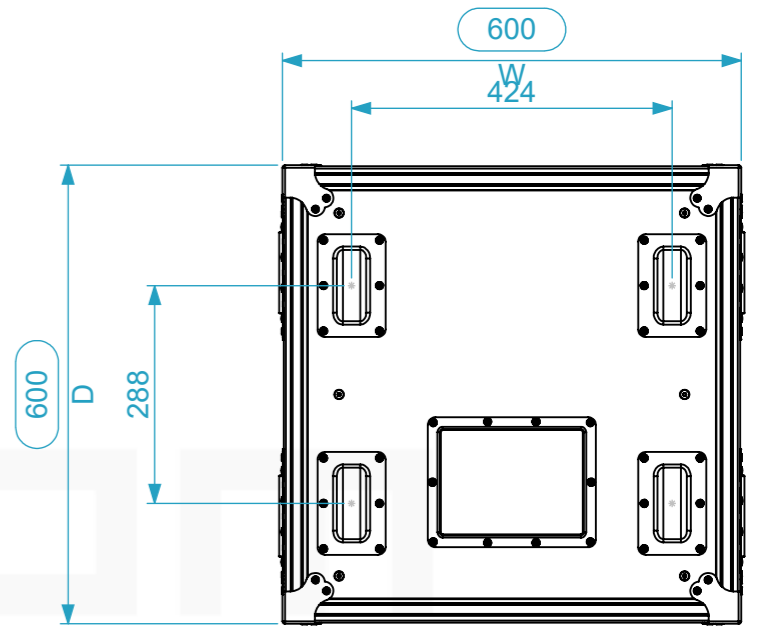
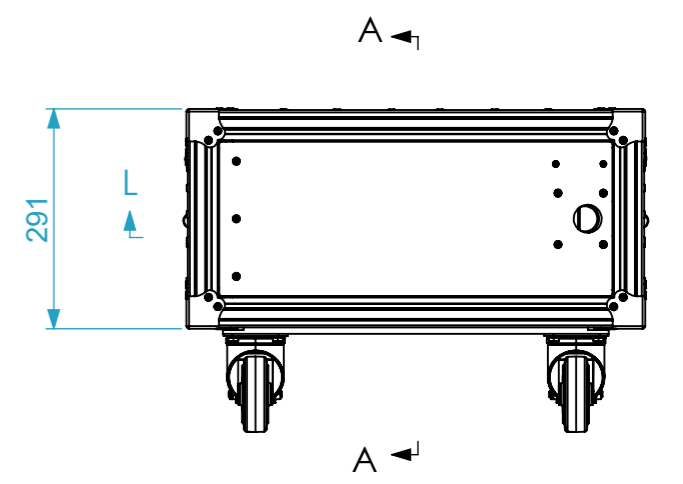
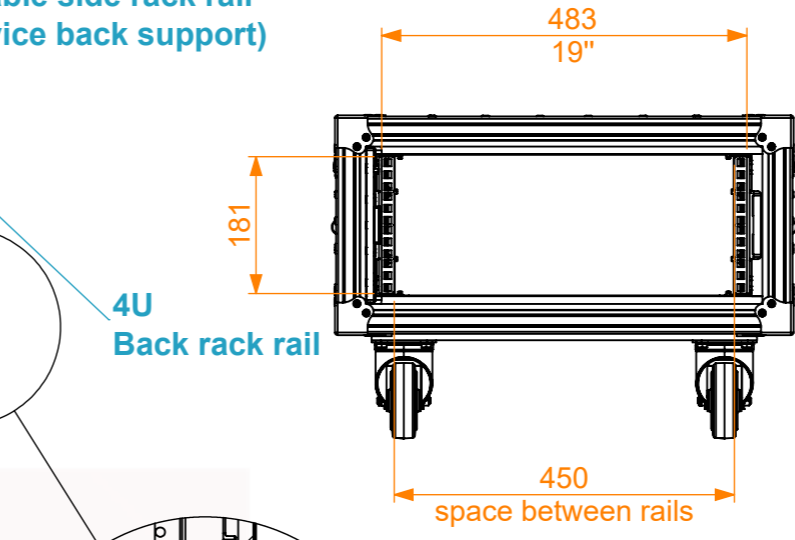
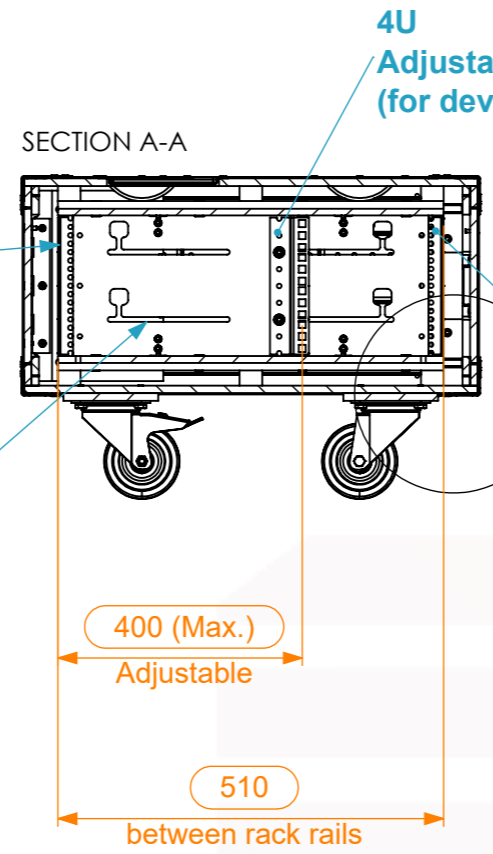


OPTIONAL PRINTING PLATE



Anti-vibration mounts between the inner rack and the flightcase

Total height with wheels



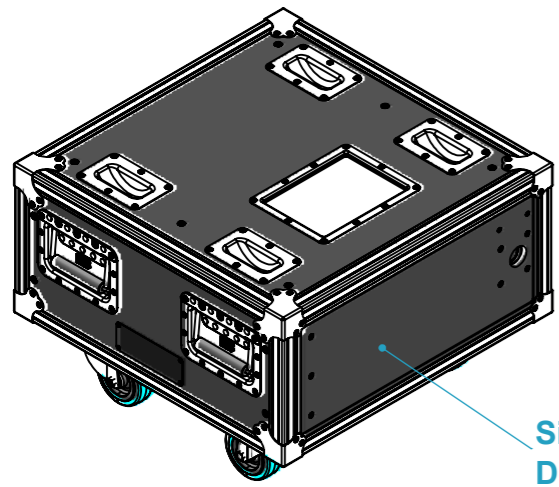
Name	Date
CarlaSilva	18/06/2026
Reference	RSS.0460R
Scale	1:10
units in mm	general tolerance 0.8mm
DO NOT SCALE	
Rack Side Sliding, 4U 440-ARR	



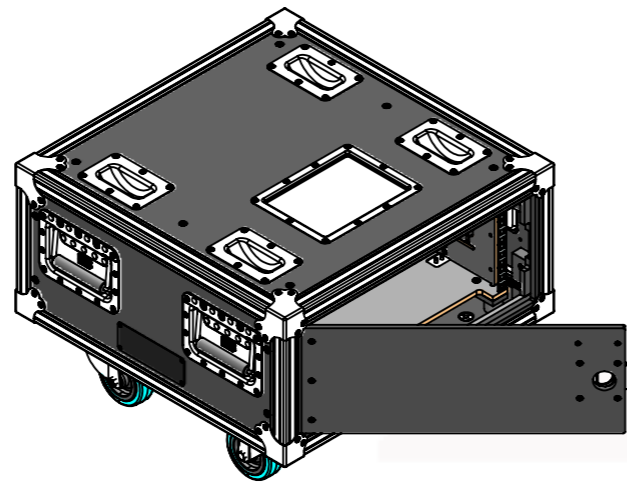
This drawing must not be copied or disclosed without consent of the owner

A3



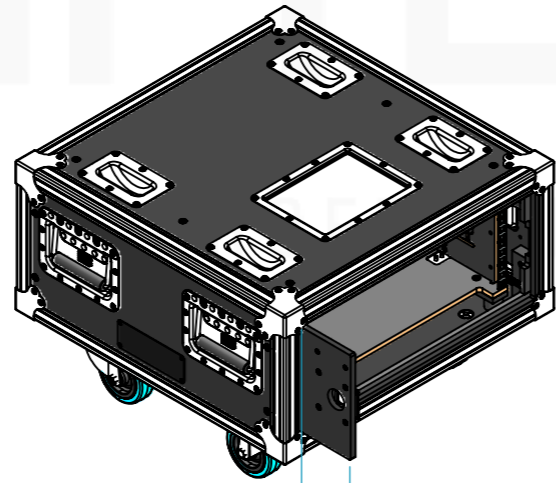
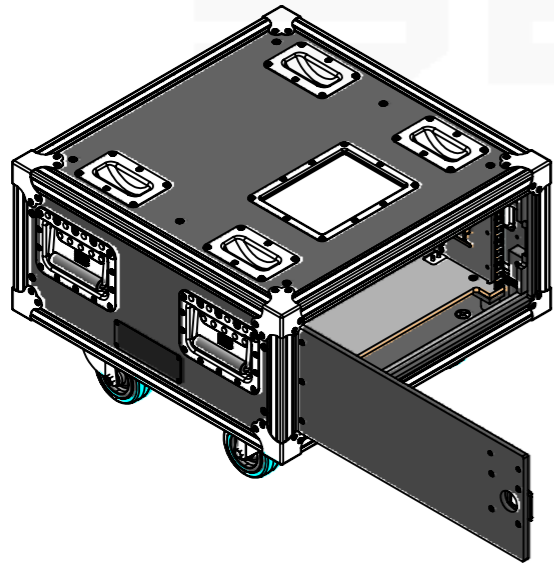


Side Sliding Door

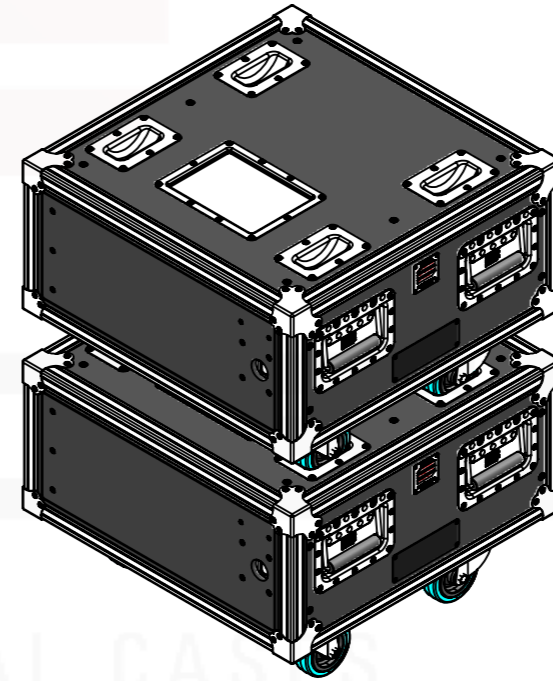


STACKABLE

STACKABLE IN X1, X2
(600mm Depth)



108



Drawn by	Name	Date
CarlaSilva	CarlaSilva	18/06/2026
Reference	RSS.0460R	
Scale	units in mm	general tolerance
1:12	DO NOT SCALE	0.8mm
1st Angle projection	Rack Side Sliding, 4U 440-ARR	

This drawing must not be copied or disclosed without consent of the owner

A3

