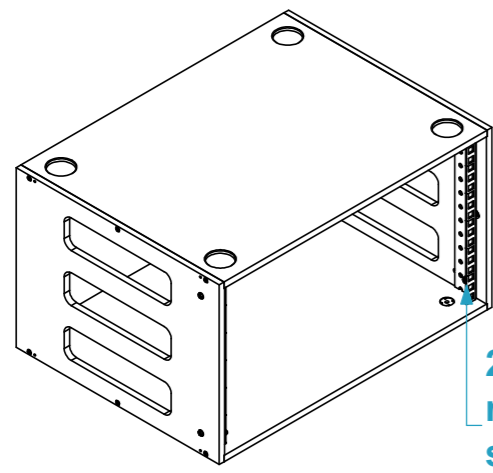
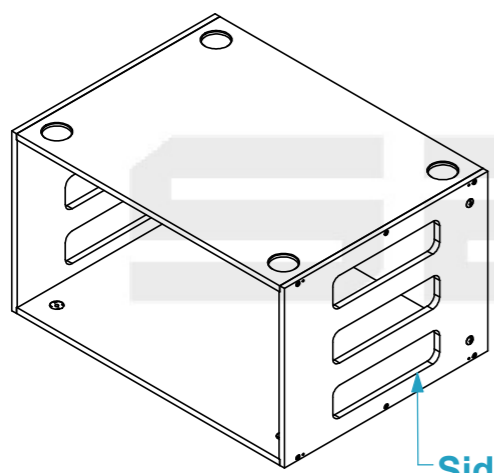


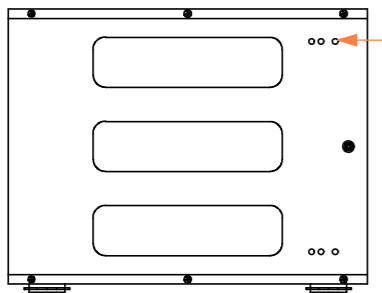
Internal Dimensions		
Width	Depth	Height
19"	359	6U
Weight	Approx. 4 Kg	
Wall Thickness	10mm	



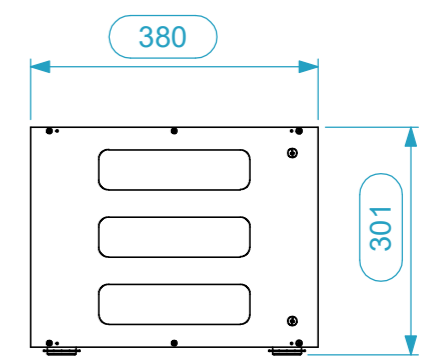
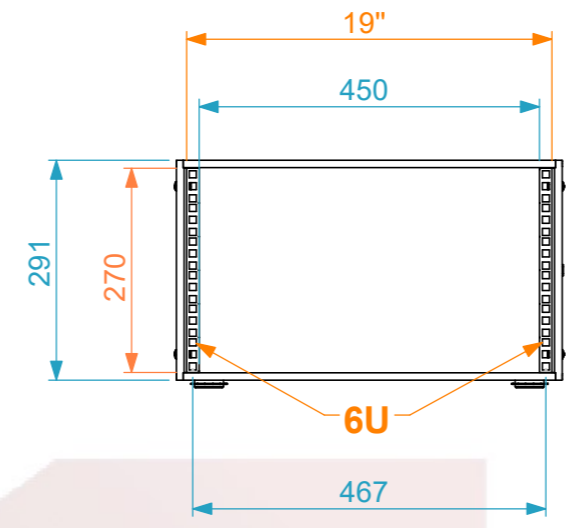
2 mm thick steel rack rails for standard M6 cage nuts



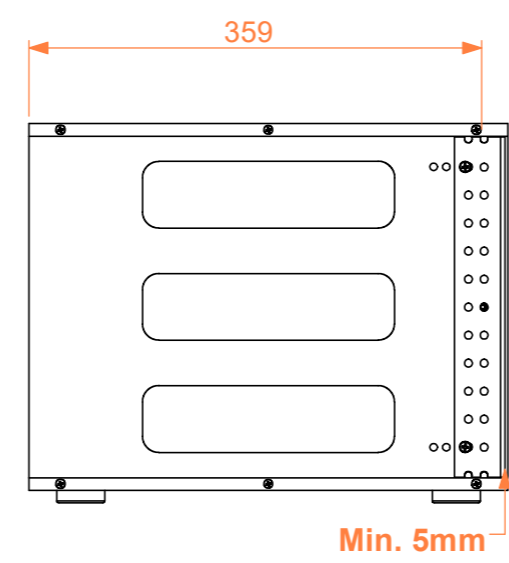
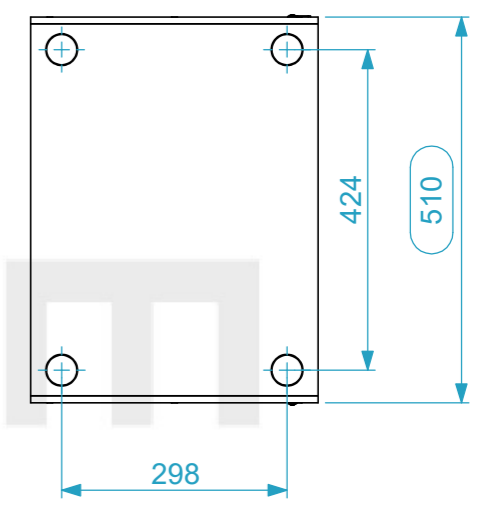
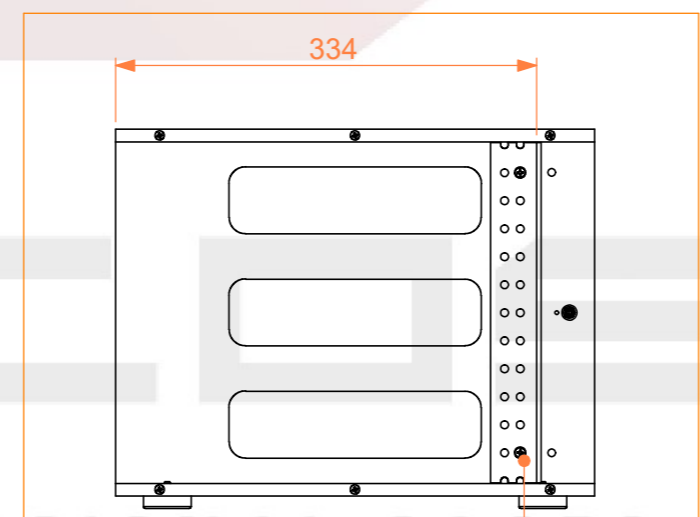
Side Handle



For a better finish, the holes for the rack rails are not hollowed out. This way the customer can choose the most suitable option.



Adjustable rack rail



A3

This drawing must not be copied or disclosed without consent of the owner

Drawn by	Name	Date
alvaro.santos	alvaro.santos	14/05/2024
Reference	RSL.0640	
Scale	units in mm	general tolerance
1:10	DO NOT SCALE	0.8mm
Rack Sleeve 19" 6 UN 400mm prof.		

