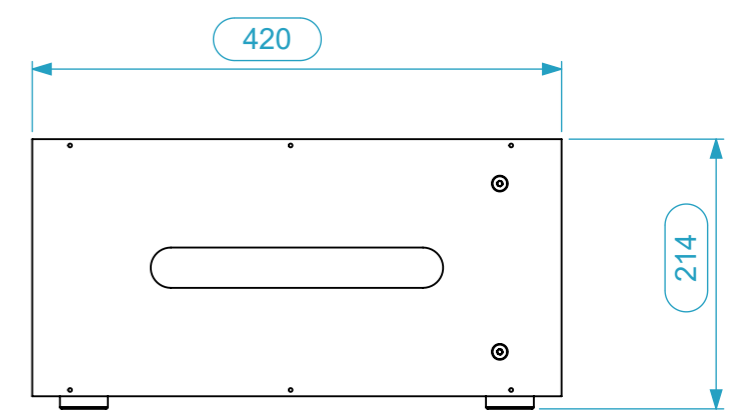
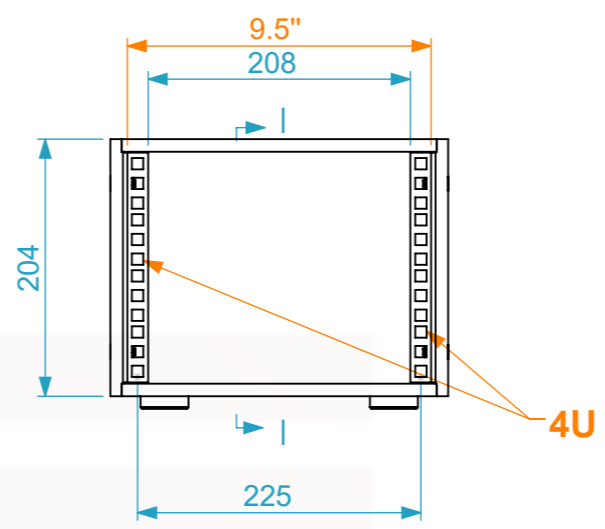
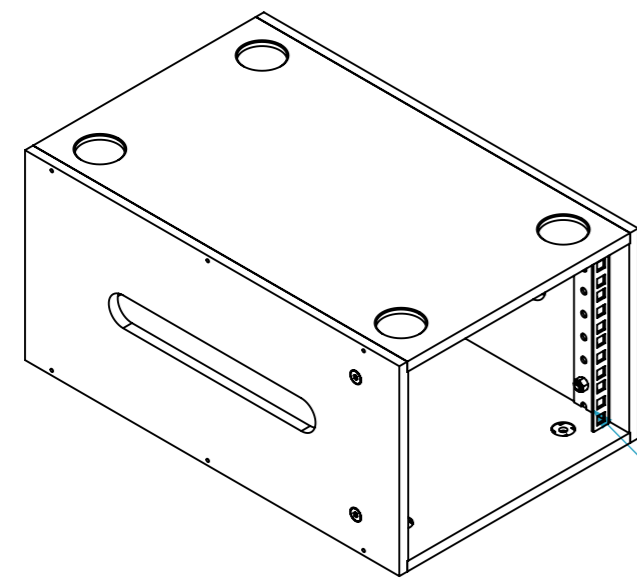
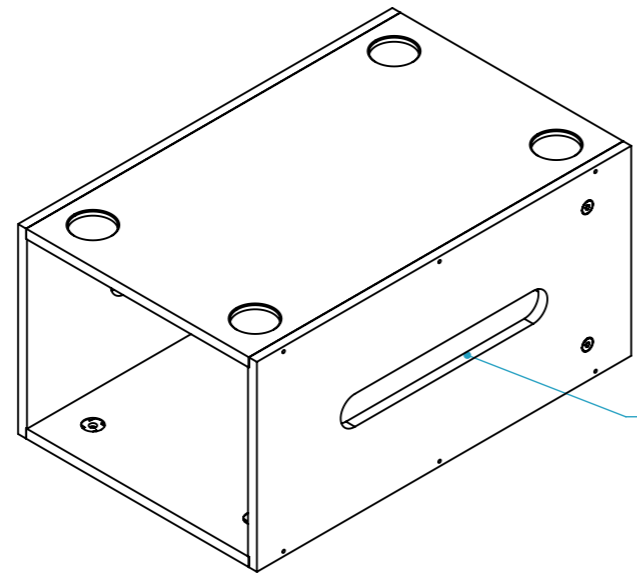
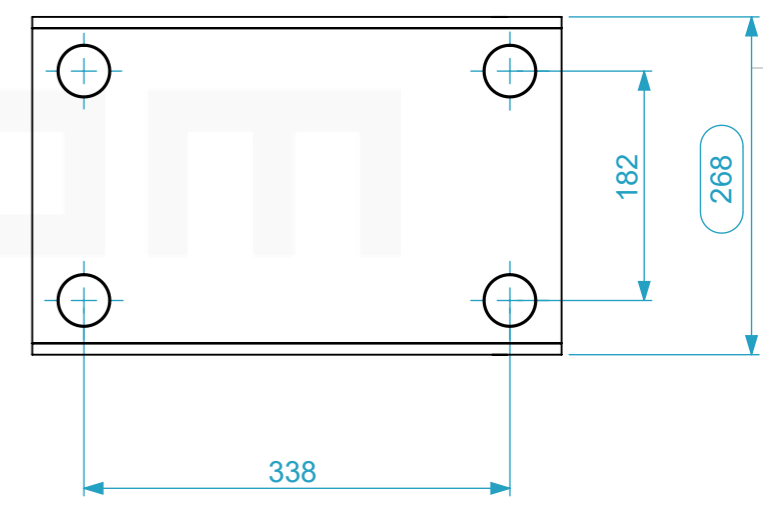
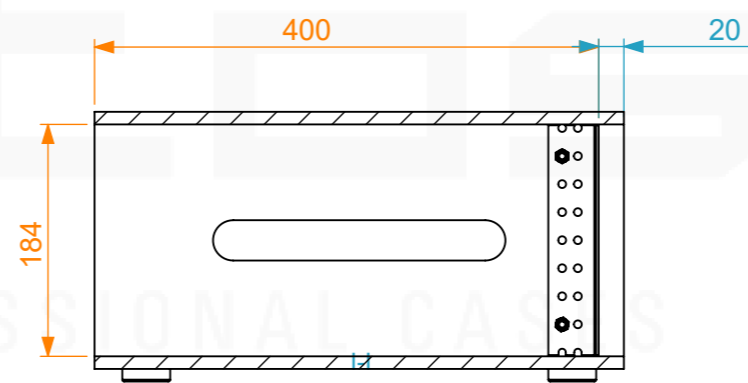
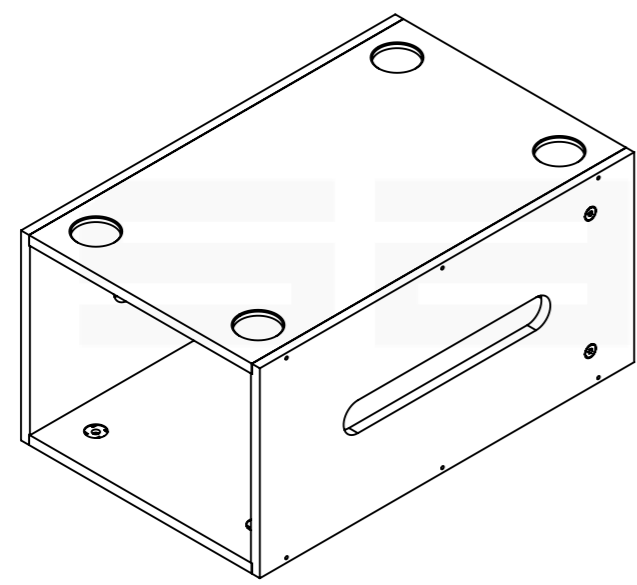


Internal Dimensions		
Width	Depth	Height
9.5"	400	4U
Weight	Approx. 3 Kg	
Wall Thickness		10mm



2 mm thick steel rack rails for standard M6 cage nuts



Side Handle

This drawing must not be copied or disclosed without consent of the owner

Drawn by	Name	Date
projects		14/04/2021
Reference	RSL.0444.95	
Scale	units in mm	general tolerance
1:6	DO NOT SCALE	0.8mm
1st Angle projection		
Rock Sleeve 9.5" 4 UN 440mm prof.		

