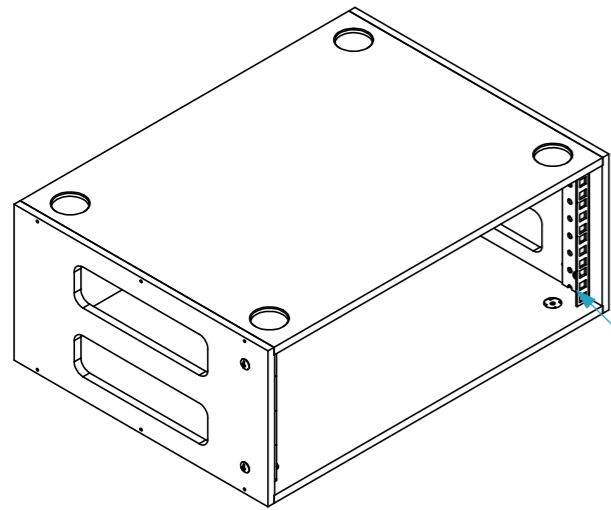
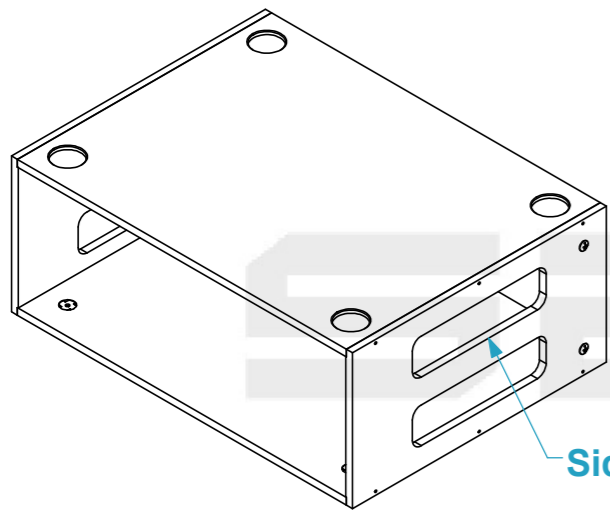


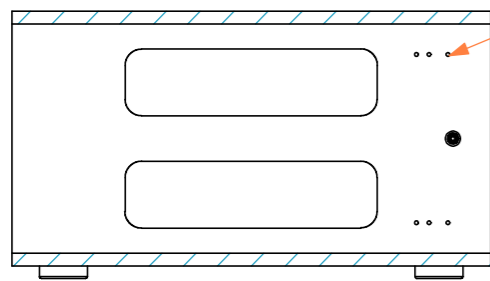
Internal Dimensions		
Width	Depth	Height
19"	372	4U
Weight	Approx. 3.66 Kg	
Wall Thickness	10mm	



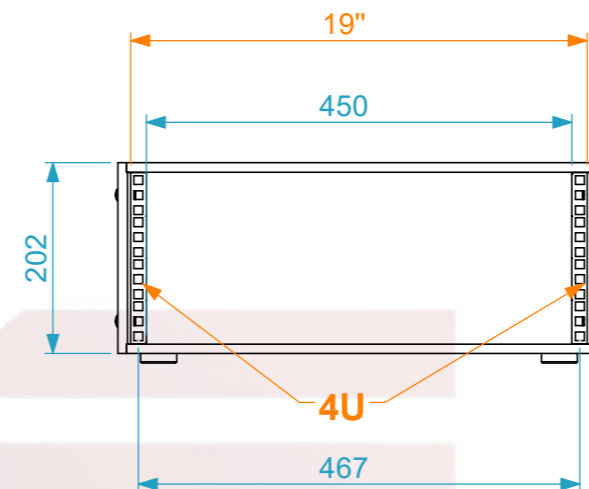
2 mm thick steel rack rails for standard M6 cage nuts



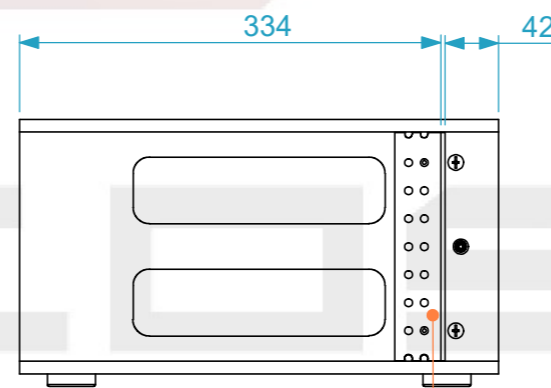
Side Handle



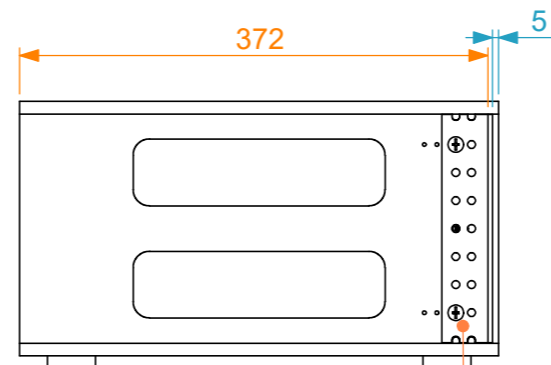
For a better finish, the holes for the rack rails are not hollowed out. This way the customer can choose the most suitable option



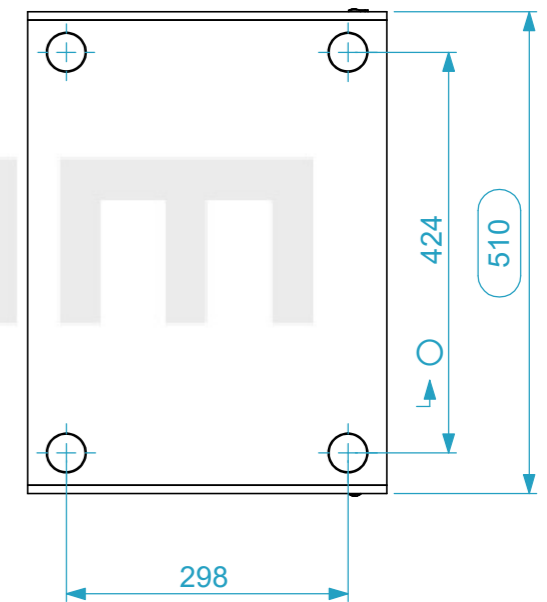
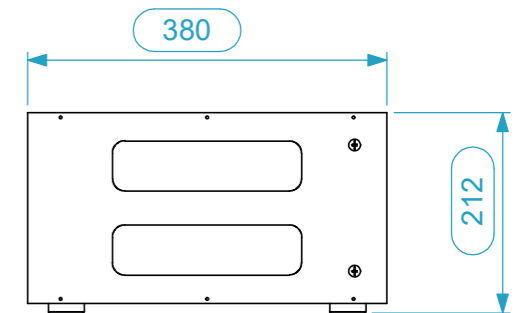
Adjustable rack rail



Max. 42mm



Min. 5mm



Drawn by	Name	Date
alvaro.santos	alvaro.santos	27/02/2024
Reference	RSL.0440	
Scale	units in mm	general tolerance
1:8	DO NOT SCALE	0.8mm
Rack Sleeve 19" 4 UN 400mm prof.		



This drawing must not be copied or disclosed without consent of the owner



A3