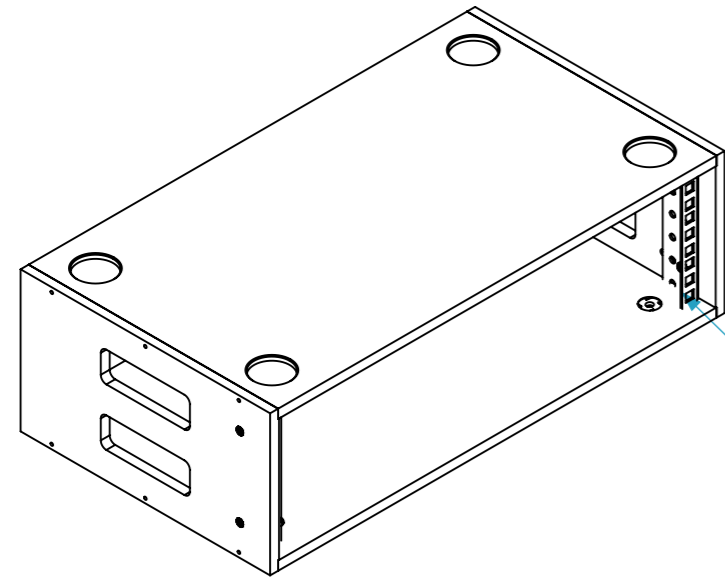
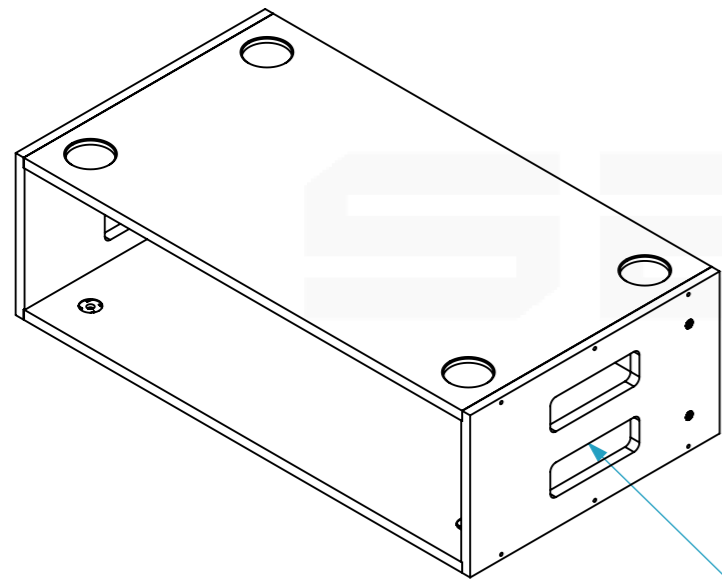
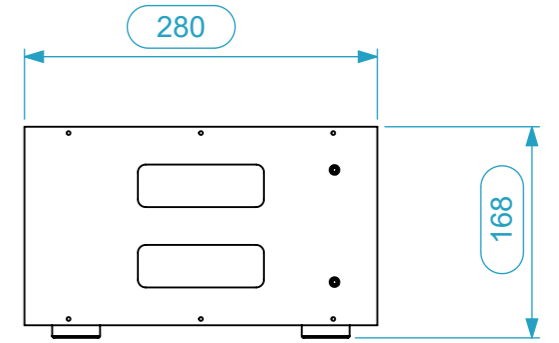
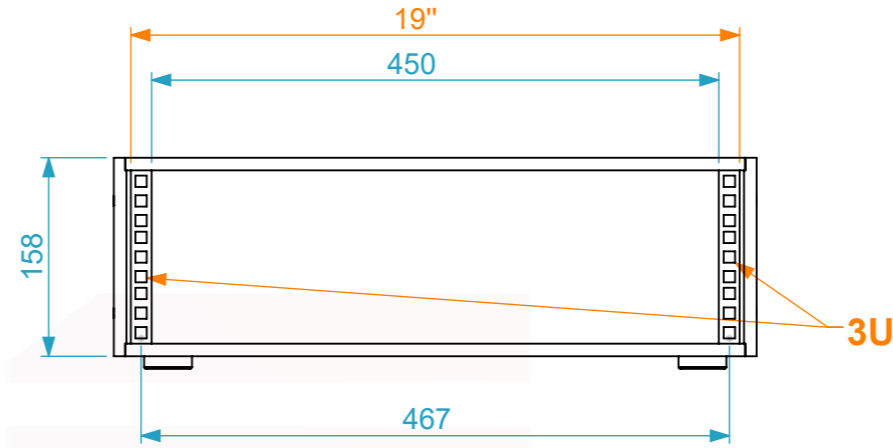


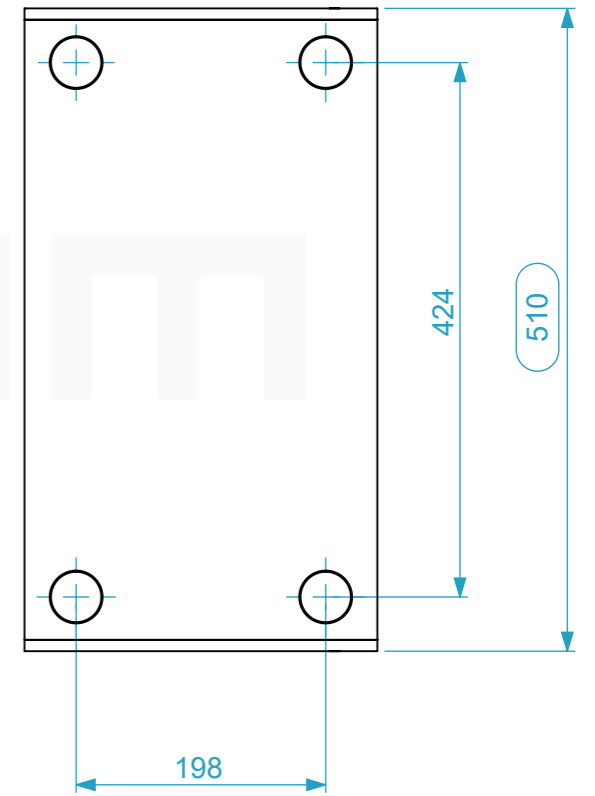
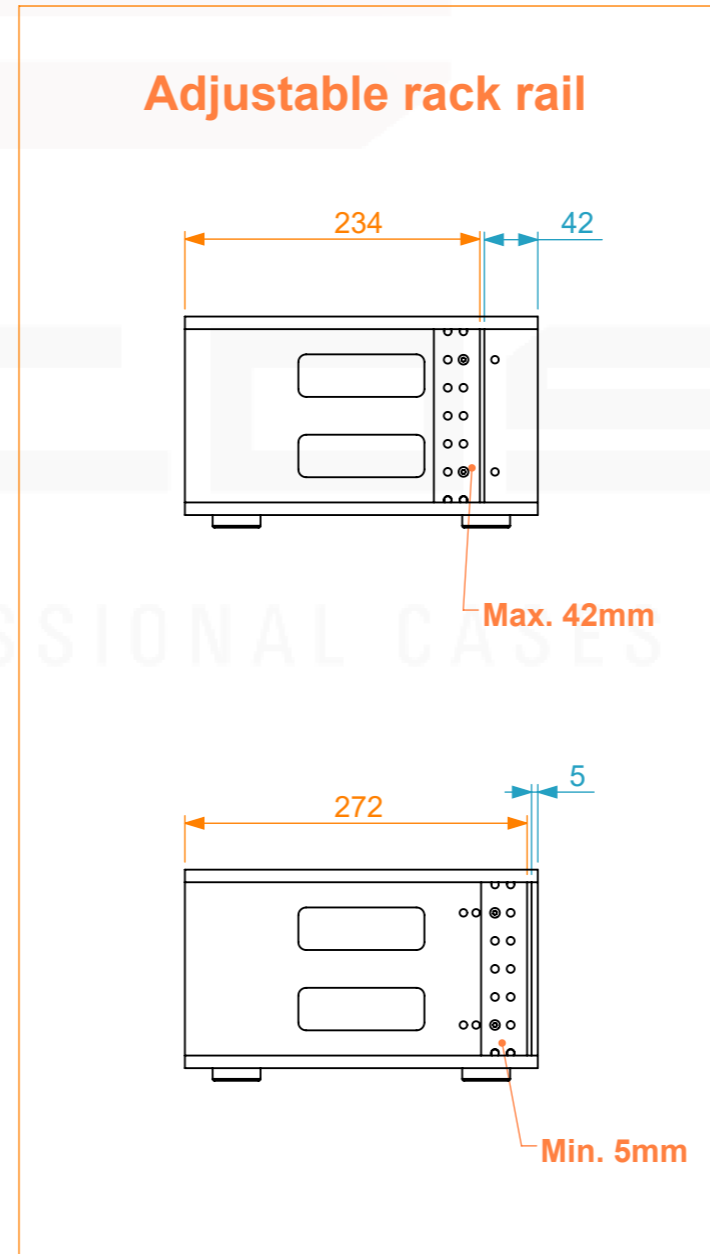
Internal Dimensions		
Width	Depth	Height
19"	272	3U
Weight	Approx. 2.65 Kg	
Wall Thickness	10mm	



2 mm thick steel rack rails for standard M6 cage nuts



Side Handle



Drawn by	Name	Date
projects		16/09/2021
Reference	RSL.0440	
Scale	units in mm	general tolerance
1:6	DO NOT SCALE	0.8mm
1st Angle projection	Rack Sleeve 19" 4 UN 400mm prof.	



This drawing must not be copied or disclosed without consent of the owner

A3