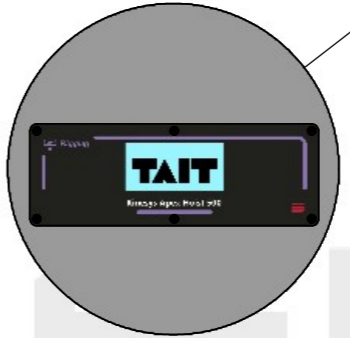
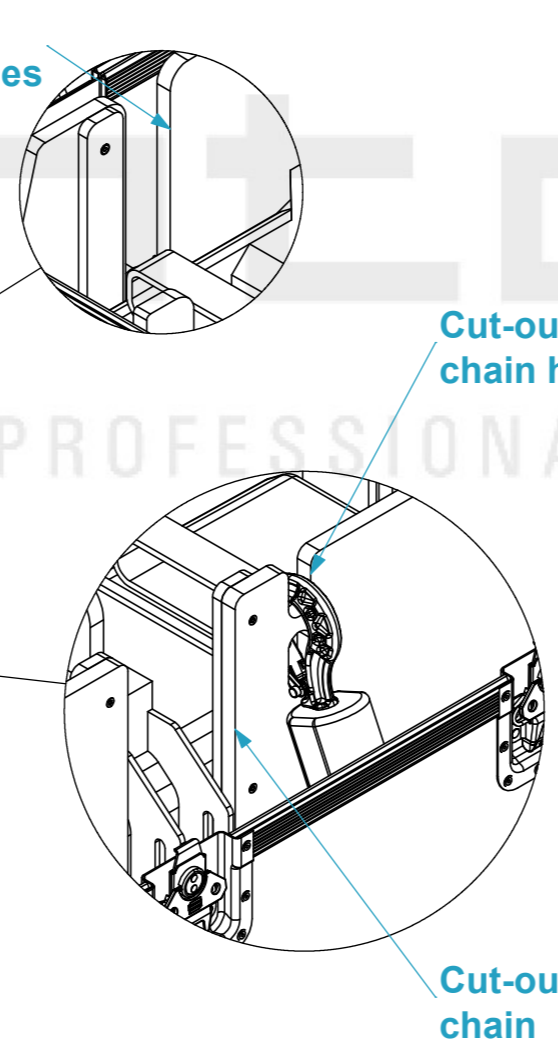
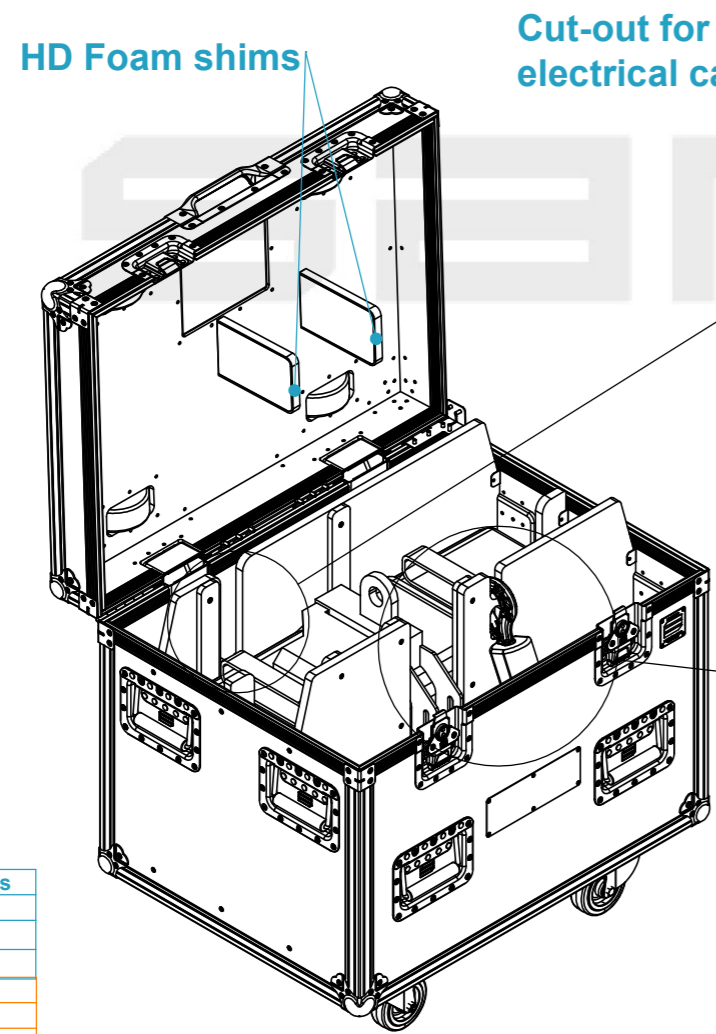
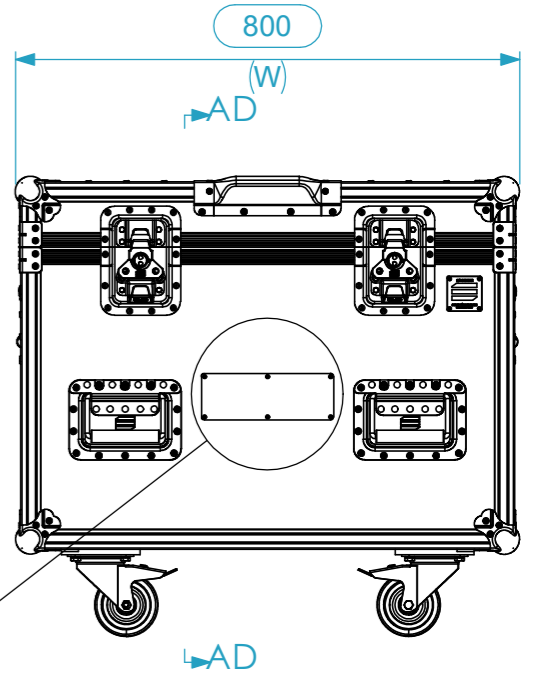
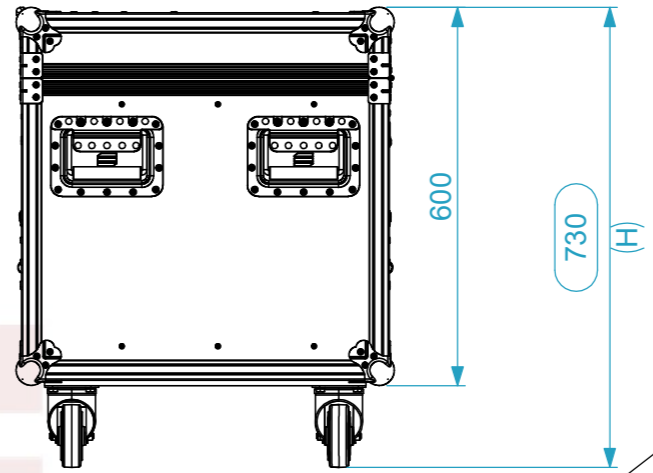
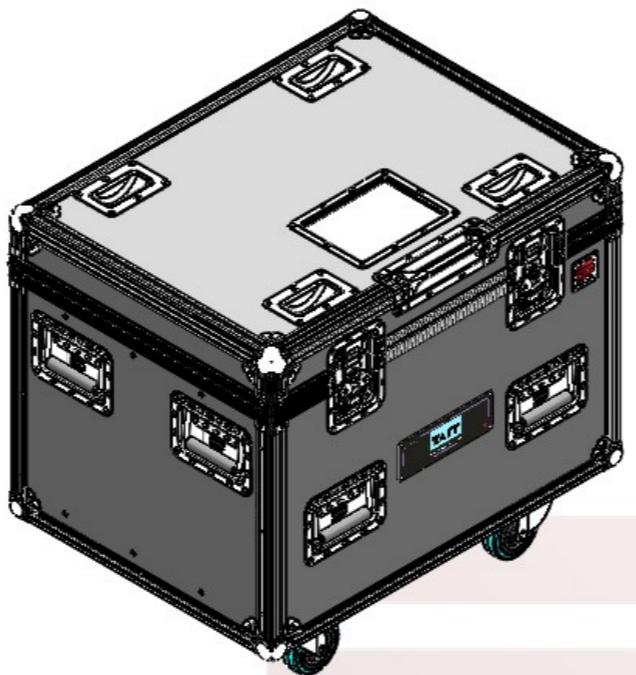
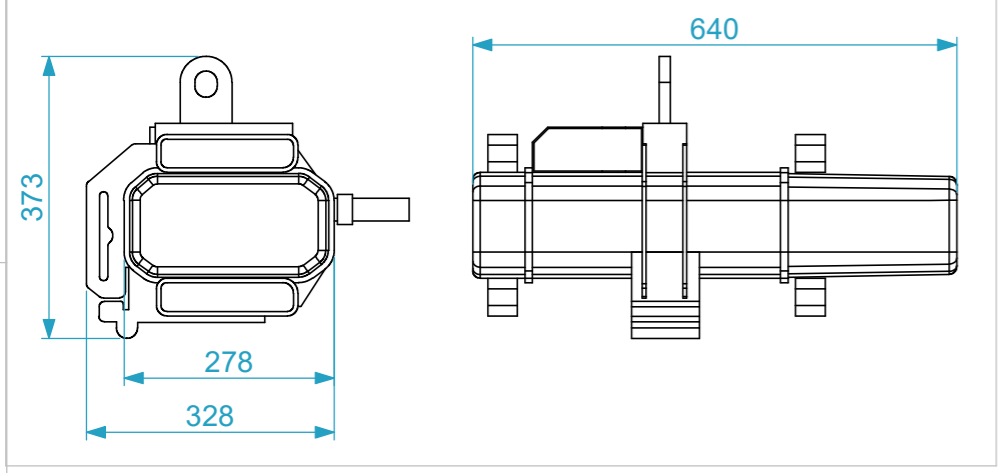
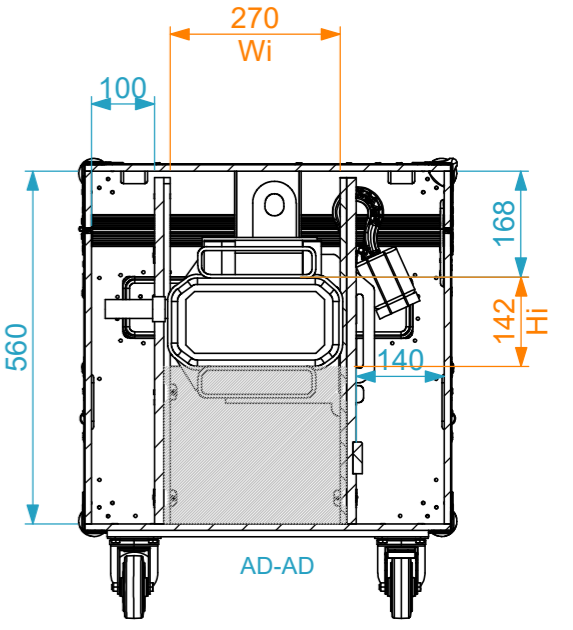
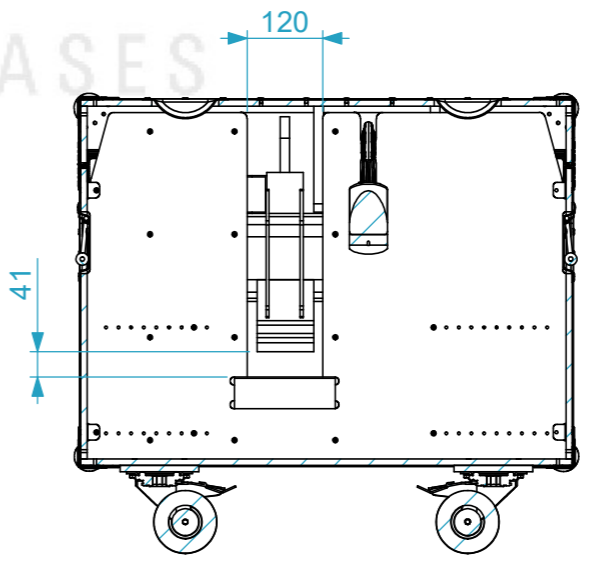
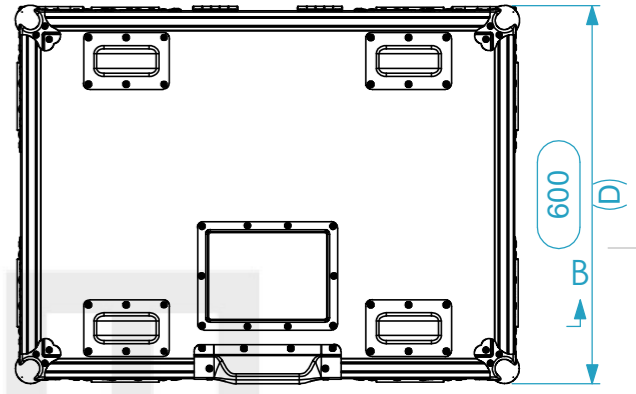


Equipment	Kinesys Apex Hoist 500	
Width	Depth	Height
410	640	339
Weight	Approx. 36.5 Kg	
Internal Dimensions		
Width	Depth	Height
278	564	177
Weight	Approx. 44 Kg	
Wall Thickness	10mm	



AK
2:11



General External Dimensions	
W	Width
D	Depth
H	Height
Usable Inner Dimensions	
Wi	Inside Width
Di	Inside Depth
Hi	Inside Height
Wood Inner Dimensions	
WWi	Wood Inside Width
WDi	Wood Inside Depth
WHi	Wood Inside Height

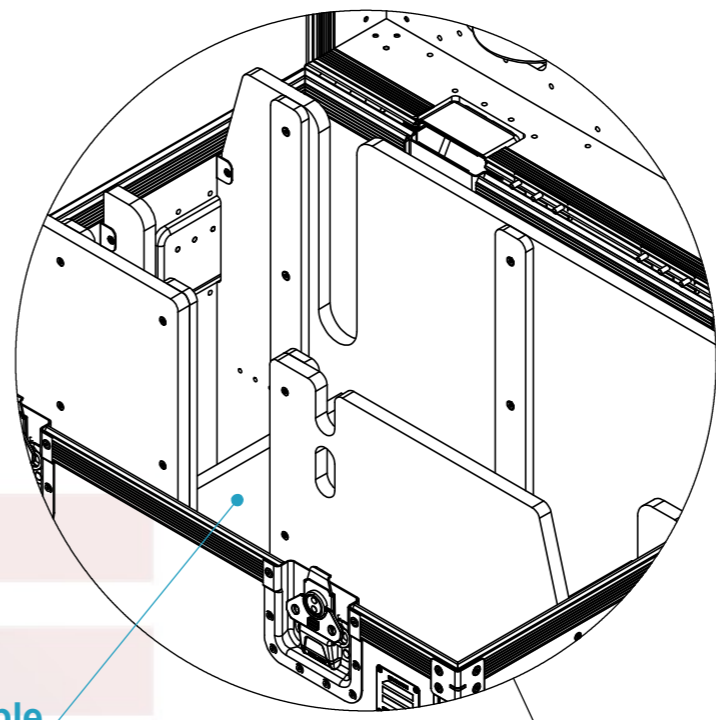
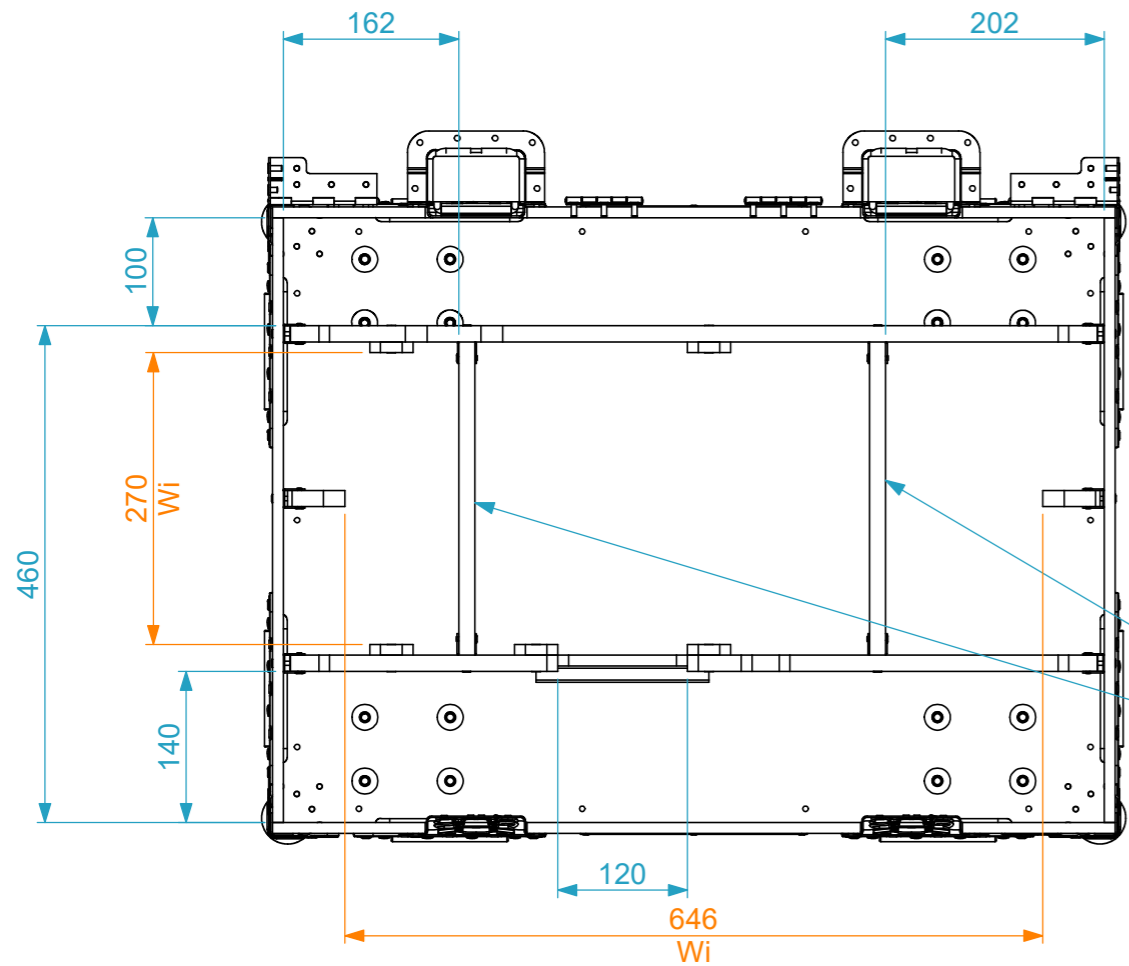
MORE DETAILS IN THE NEXT PAGE

A3

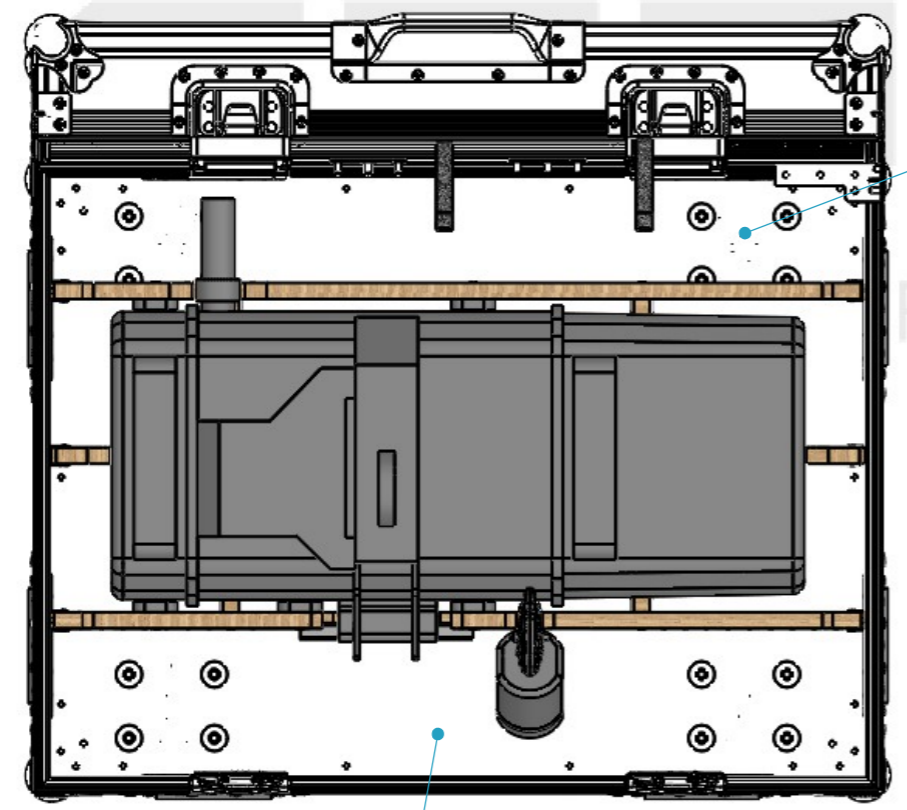
This drawing must not be copied or disclosed without consent of the owner

Name	Date
Drawn by: jose.couto	06/04/2026
Reference	RL1.KINAPX.01
Scale	1:12
1st Angle projection	units in mm DO NOT SCALE
	general tolerance 0.8mm
	Flight case PRO. 1x Kinesys APEX Hoist 500



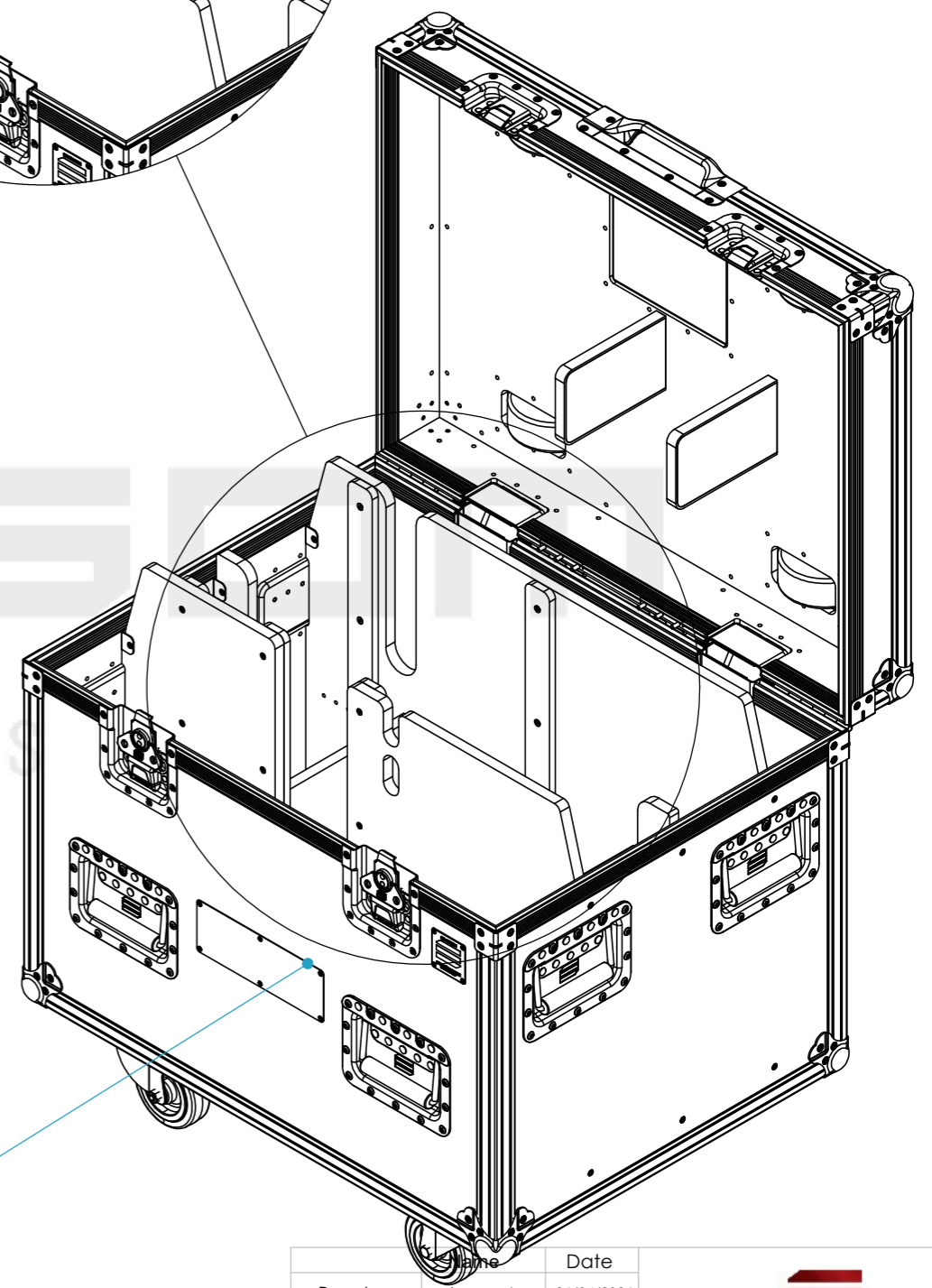


Adjustable dividers



Compartments for hoist chain and bag

Compartment for electrical cables and socket



Metal plate with printed hoist brand and model

Drawn by	jose.couto	Date	06/04/2026
Reference	RL1.KINAPX.01	Scale	1:7
	units in mm	general tolerance	0.8mm
	DO NOT SCALE		
		Flight case PRO, 1x Kinesys APEX Hoist 500	



This drawing must not be copied or disclosed without consent of the owner

1st Angle projection

A3