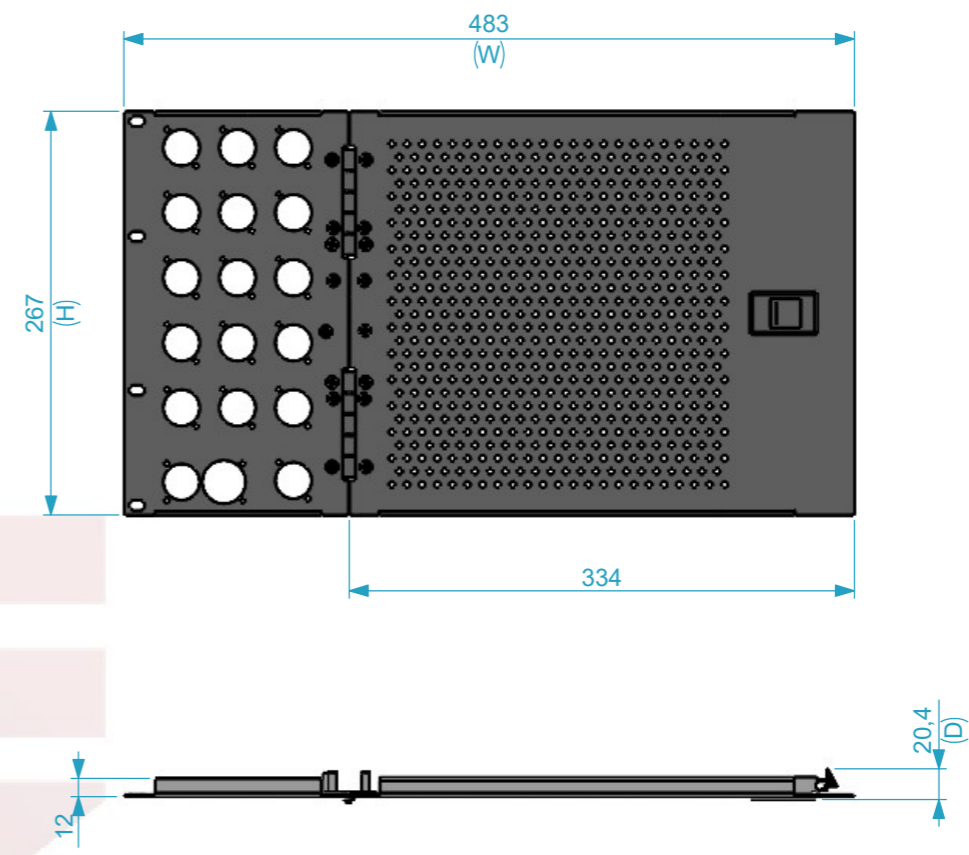


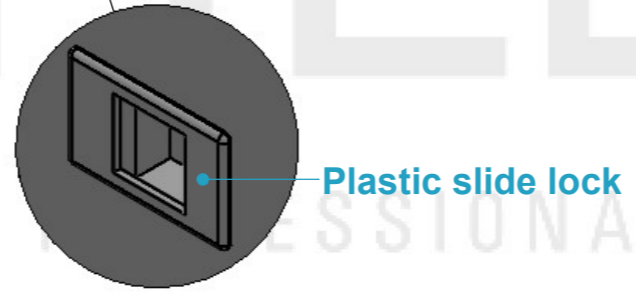
Dimensions		
Width	Depth	Height
483	20.4	178
Weight	Approx. 0.61 Kg	



(10x) D-Size for the appliance of pannel cable connectors

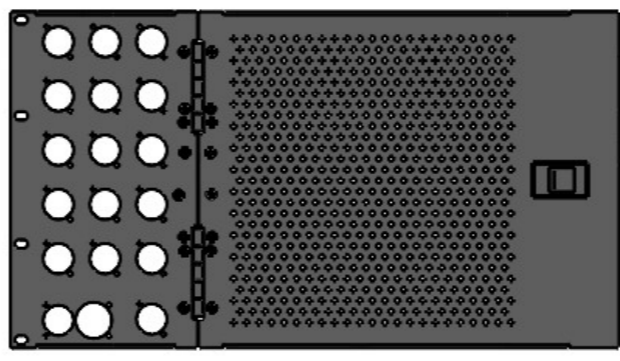
(1x) For the appliance inlet-outlet combination, 1/4" flat tab terminals, powerCONTRUe1 TOP with breaking capacity (CBC).

RCS.0#60  
Rack Compact Sliding, #U  
510-ARR  
(\*)

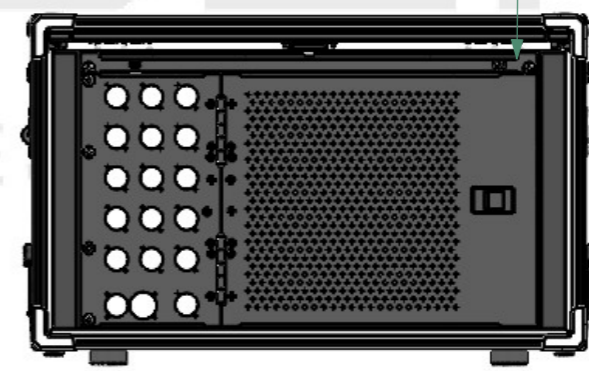
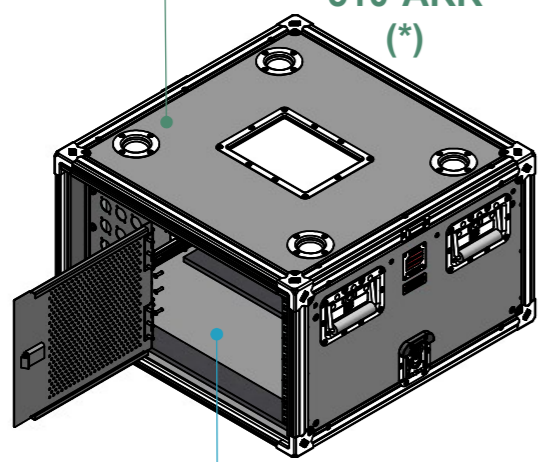


RKL.104  
19" 1/2 U, LED Rack Panel  
(\*)

Free access to compact spaces



(easy, secure and versatile use)



General External Dimensions	
W	Width
D	Depth
H	Height

(\*) Related optional items, not included

This drawing must not be copied or disclosed without consent of the owner

Drawn by	Name	Date
alvaro.santos	alvaro.santos	22/05/2026
Reference	RKP.D.TR1D16.6U	
Scale	units in mm	general tolerance
1:5	DO NOT SCALE	0.8mm
1st Angle projection	Porta ventilada com furação D-Size 6U. (1x Tru1, 16x D-Size)	

