

Dimensions

Width	Depth	Height
483	20.4	178
Weight	Approx. 0.41 Kg	

(10x) D-Size for the appliance of pannel cable connectors

(1x) For the appliance inlet-outlet combination, 1/4" flat tab terminals, powerCONTRUE1 TOP with breaking capacity (CBC).

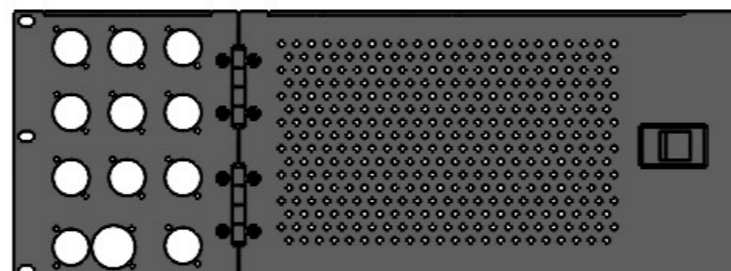
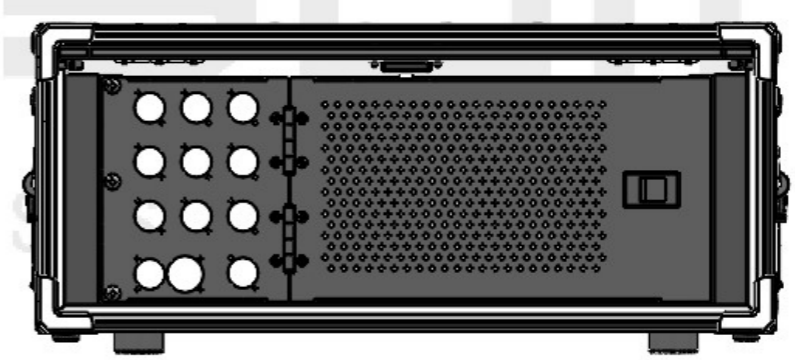
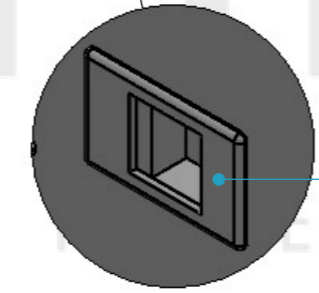
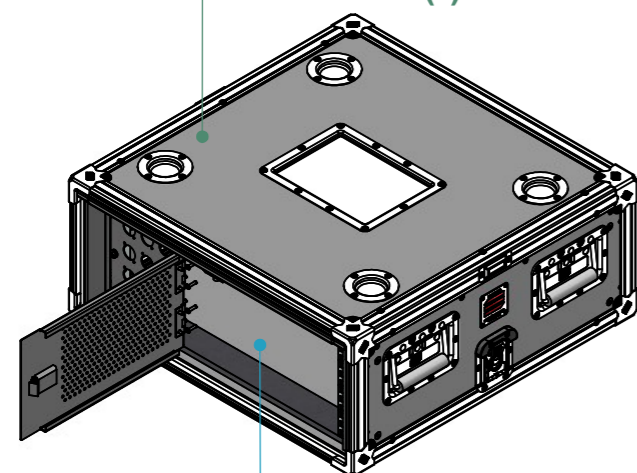
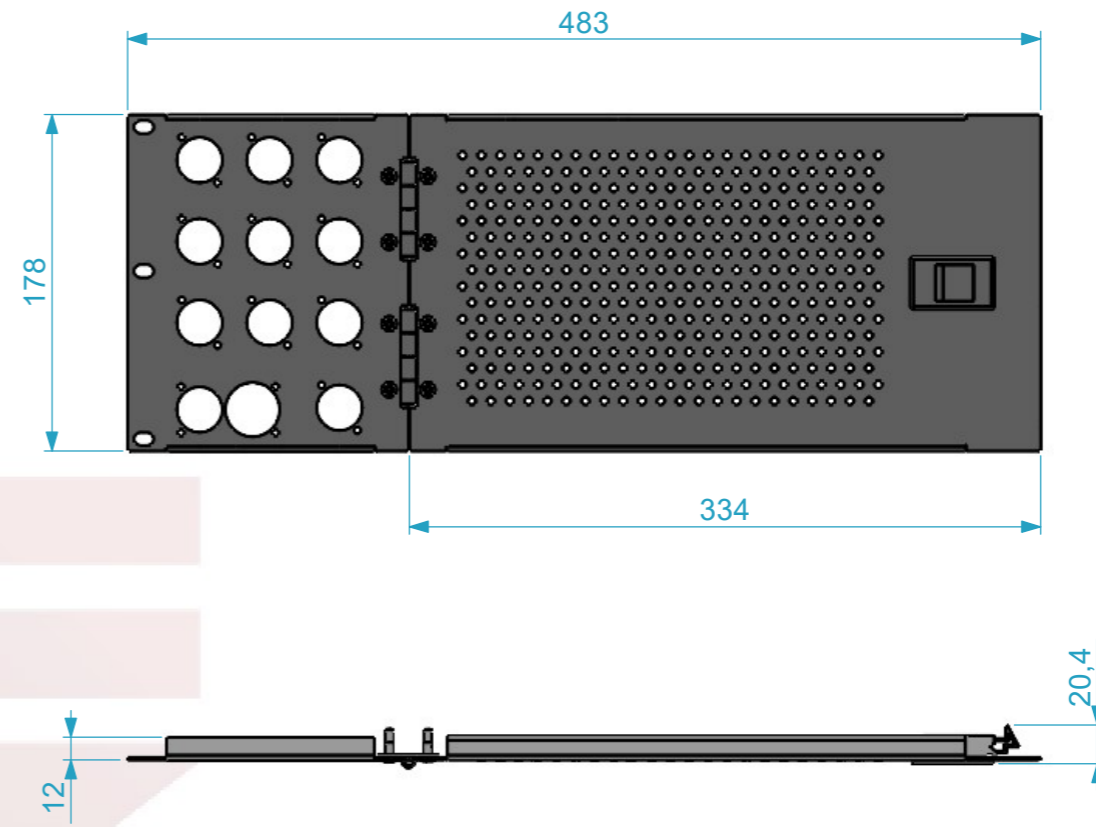
RCS.0#60
Rack Compact Sliding, #U
510-ARR
(*)

Plastic slide lock

Free access to compact spaces

(easy, secure and versatile use)

(*) Related optional items, not included



General External Dimensions	
W	Width
D	Depth
H	Height

Name	alvaro.santos	
Date	22/05/2026	
Reference	RKP.D.TR1D10.4U	
Scale	1:4	units in mm DO NOT SCALE
general tolerance	0.8mm	
Porta ventilada com furação D-Size 3U. (1x Tru1, 10x D-Size)		



This drawing must not be copied or disclosed without consent of the owner



A3