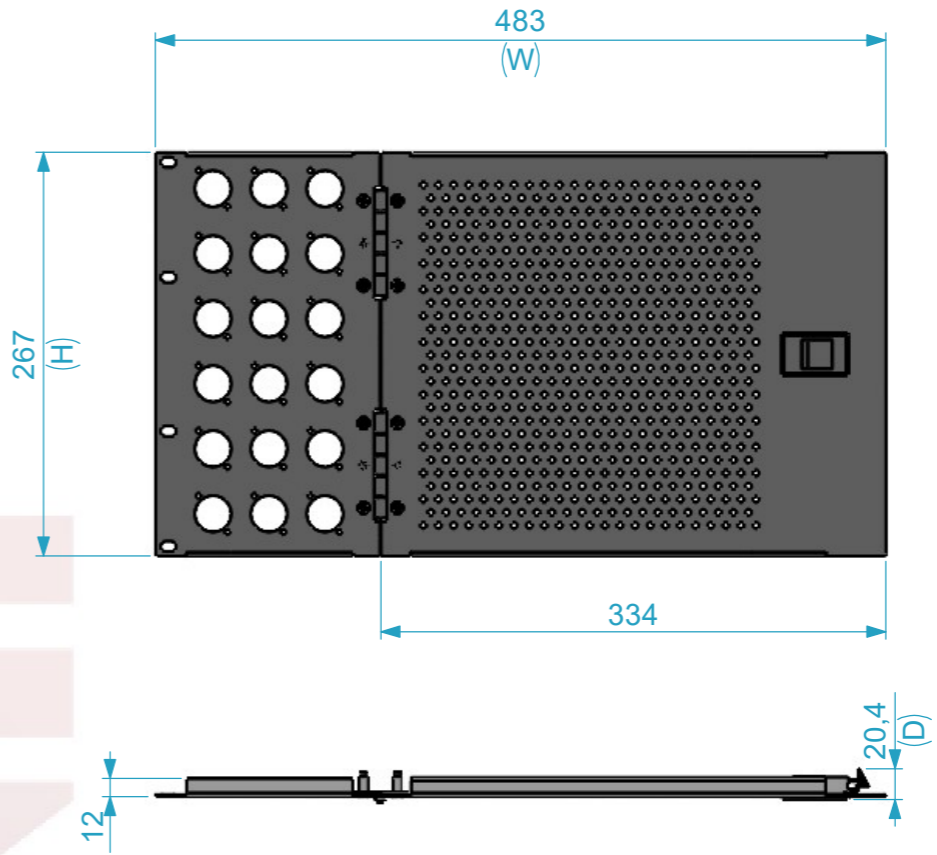
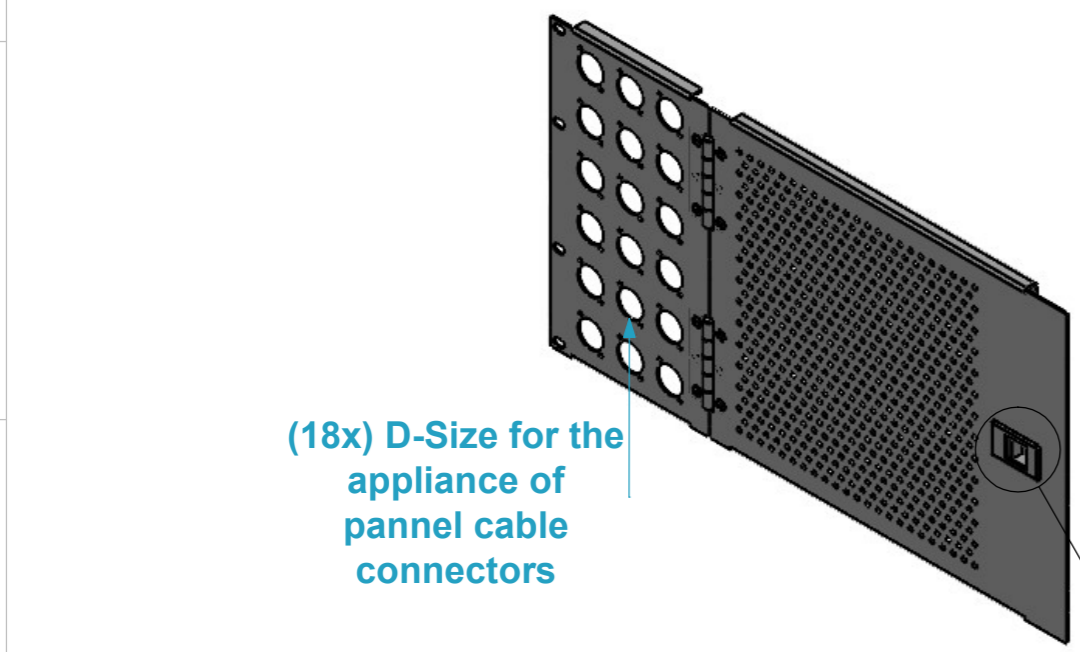
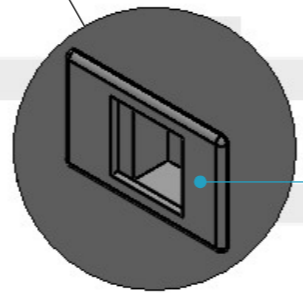


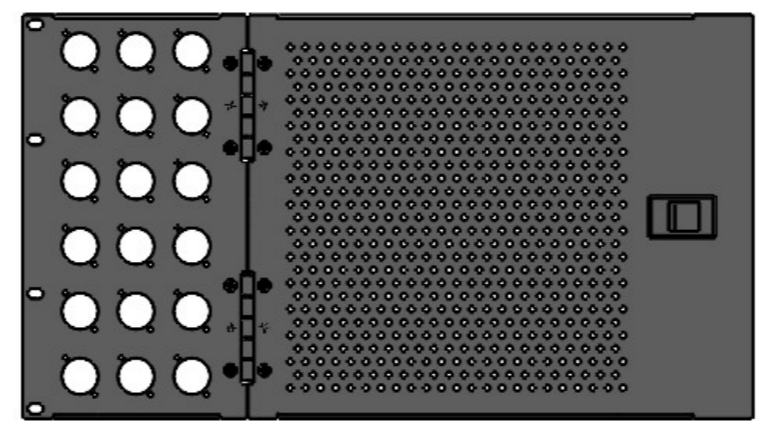
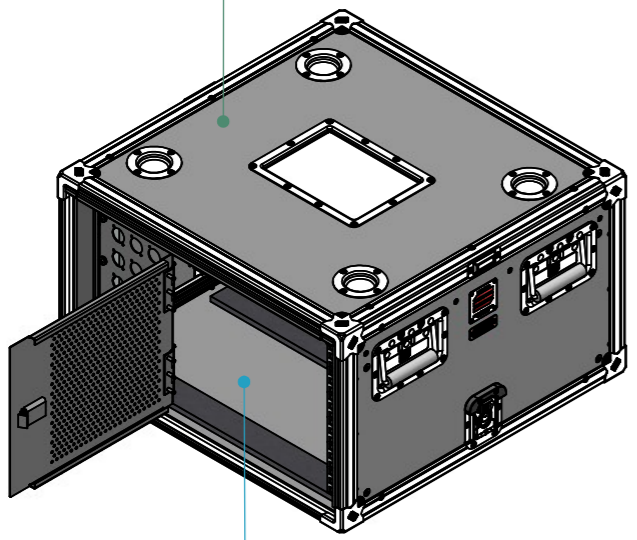
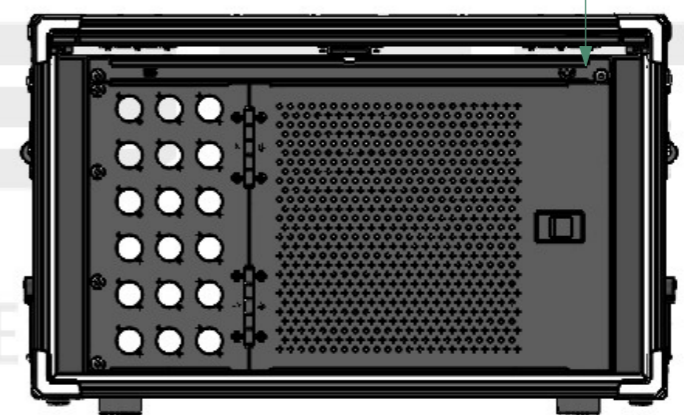
Dimensions		
Width	Depth	Height
483	20.4	267
Weight	Approx. 0.63 Kg	



RCS.0#60
Rack Compact Sliding, #U
510-ARR
(*)



RKL.104
19" 1/2 U, LED Rack Panel
(*)



General External Dimensions	
W	Width
D	Depth
H	Height

(*) Related optional items, not included

A3	This drawing must not be copied or disclosed without consent of the owner	Drawn by	Name	Date
		alvaro.santos	alvaro.santos	22/05/2026
1st Angle projection	Scale 1:5	Reference	RKPD.D18.6U	
		Porta ventilada com furação D-Size 6U, (18x D-Size)	units in mm	general tolerance 0.8mm
		DO NOT SCALE		

