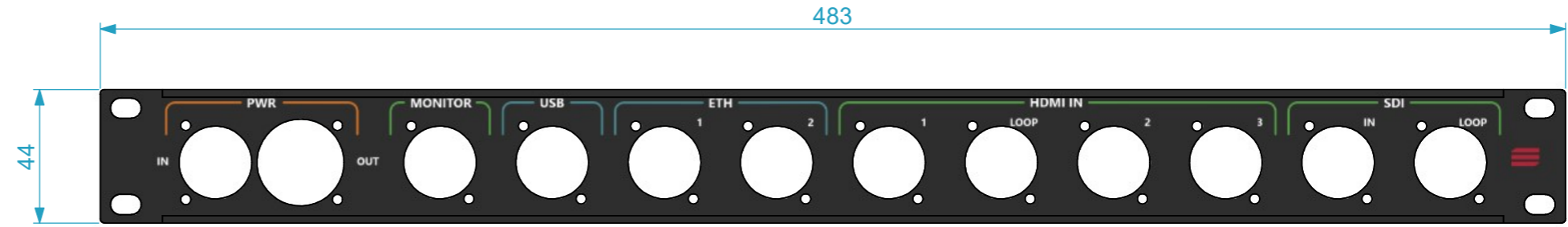


Dimensions

Width	Depth	Height
483	12	89
Weight	Approx. 0.10 Kg	



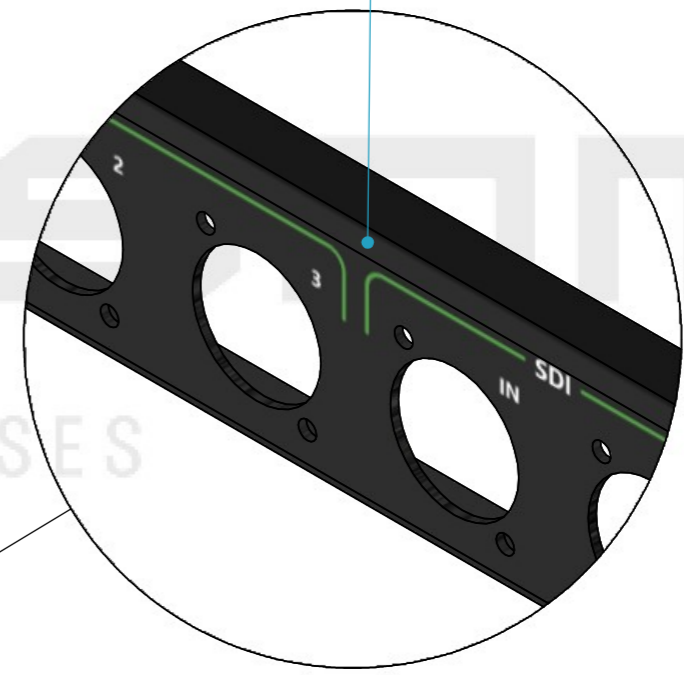
19", U shaped Rack panel, 1U.
Epóxi-Polièster RAL 905, electrostatic
paint, fine texture.

UV imprint features included

D-size for Appliance inlet-outlet
combination, 1/4" flat tab
terminals, powerCON
TRUE1 TOP with breaking
capacity (CBC).

D-size for Appliance EtherCON Series
RJ45 connector system.

D-size for grounded BNC bulkhead
feedthrough appliance.



General External Dimensions	
W	Width
D	Depth
H	Height

Name	alvaro.santos	
Date	27/04/2026	
Reference	RKP.TR1D10.VDCOM	
Scale	1:2	units in mm
DO NOT SCALE	DO NOT SCALE	general tolerance 0.8mm



This drawing must not be copied or disclosed without consent of the owner

1st Angle projection Panel de Rack 1U, True1, 10x D-Size (PWR, HDMI, SDI)

A3