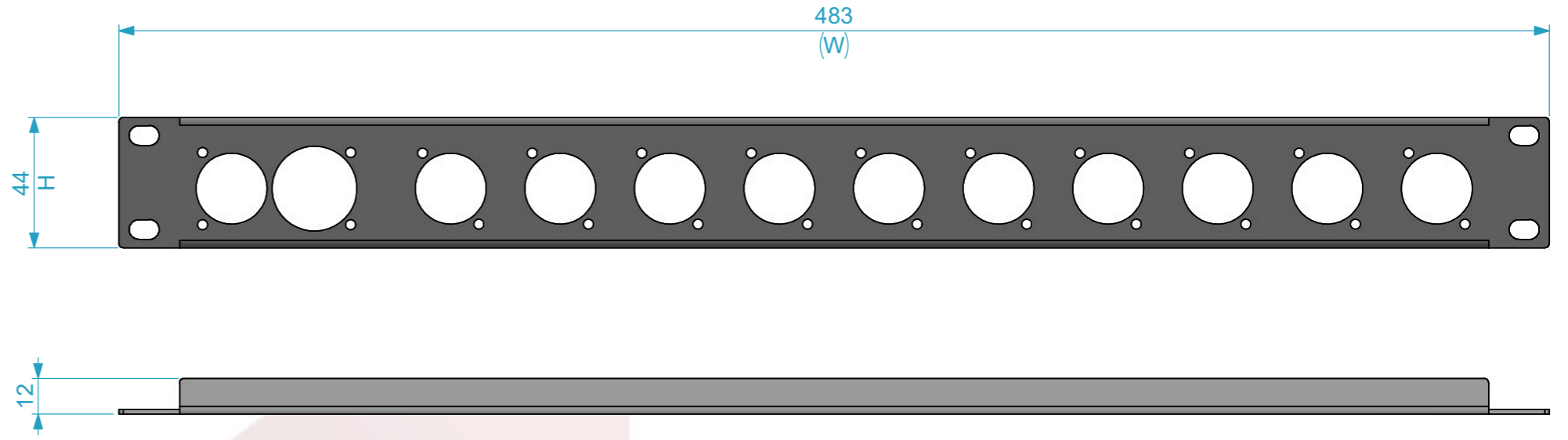


Dimensions		
Width	Depth	Height
483	12	44
Weight	Approx. 0.10 Kg	



19", U shaped Rack panel, 1U.  
Epóxi-Polièster RAL 905,  
electrostatic paint, fine texture.

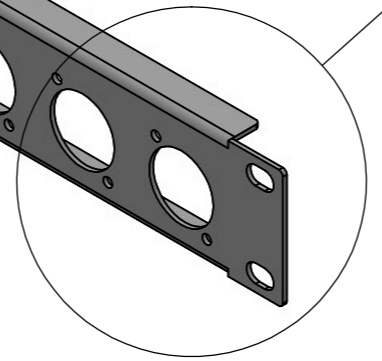
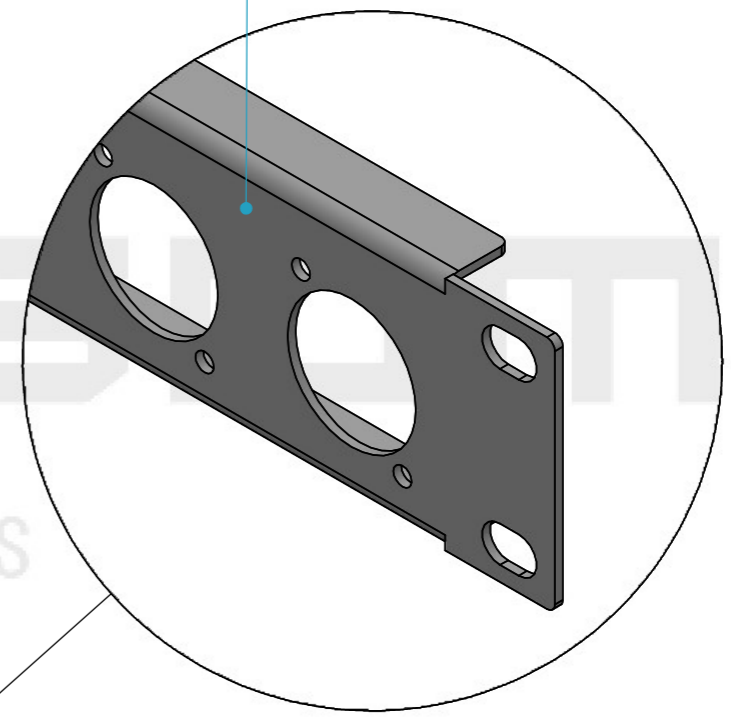
Appliance inlet-outlet  
combination, 1/4" flat tab  
terminals, powerCON  
TRUE1 TOP with breaking  
capacity (CBC).

D-Size for the  
appliance of XLR  
cable connectors

D-Size for the appliance of EtherCON  
Series RJ45 connector system

D-Size for the appliance of Grounded BNC bulkhead,  
feedthrough, grounded.  
BNC-Jack/Jack BLKHD adapte 50 OHM.

UV imprint features included



General External Dimensions	
W	Width
D	Depth
H	Height

Name	Date
alvaro.santos	05/12/2025
Reference: RKP.TR1D10.VD09	
Scale: 1:2	units in mm DO NOT SCALE
general tolerance: 0.6mm	
1st Angle projection	
Panel de Rack 1U.Com impressão (PWR, USB, OPTIC,HDMI, SDI)	



A3 This drawing must not be copied or disclosed without consent of the owner